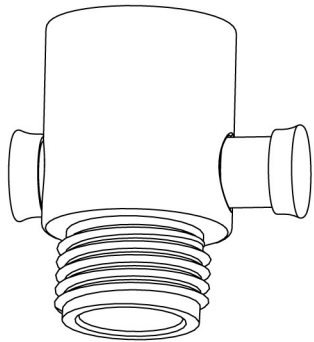


Instructions for Models:

VS-156
VS-156-BN



Need Help?

For additional assistance or service call:

SPEAKMAN Company
400 Anchor Mill Road
New Castle, DE 19720

PHONE: 800-537-2107
EMAIL: customerservice@speakmancompany.com
WEB: www.speakmancompany.com

92-3431-R1

What You Need To Know:

Tools:

Helpful:

Teflon
Tape



Important Notes:

Be sure to read instructions thoroughly before beginning installation. Do not overtighten any connections or damage may occur.

Safety Tips:

Cover your drain to prevent loss of parts.

Maintenance:

Keep the Volume Control looking new by cleaning it periodically with a soft cloth. Avoid abrasive cleaners, steel wool, and harsh chemicals as these will dull the finish and void your warranty.

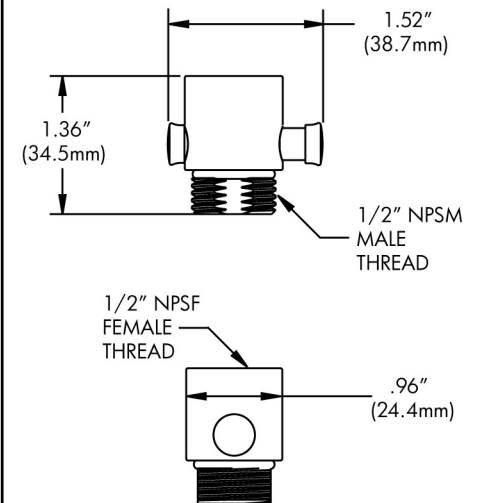
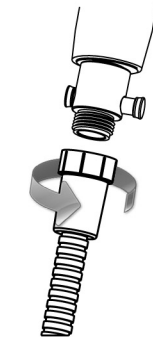
1 Turn off water supply. Remove hose from existing Handheld Showerhead.



2 Insert proper washer to ensure no leaking occurs from Volume Control to Handheld Shower connections (multiple washers are included for various types of installations). Screw on Volume Control to Handheld Shower and hand tighten.



3 Thread hose onto inlet port of Volume Control and hand tighten. Turn on water supply and check for leaks. If leaks are present, disassemble all connections and apply Teflon Tape. Re-assemble.



Specifications:

Supply Inlet: 1/2" NPSM MALE
Outlet: 1/2" NPSF FEMALE