

SPEAKMAN® VS-154

Rainier™ Shower Elbow

FEATURES:

- Outlet fits 1/2 in. NPSM female hose
- 1/2 in. NPT female inlet
- Brass construction

FINISH:



PC

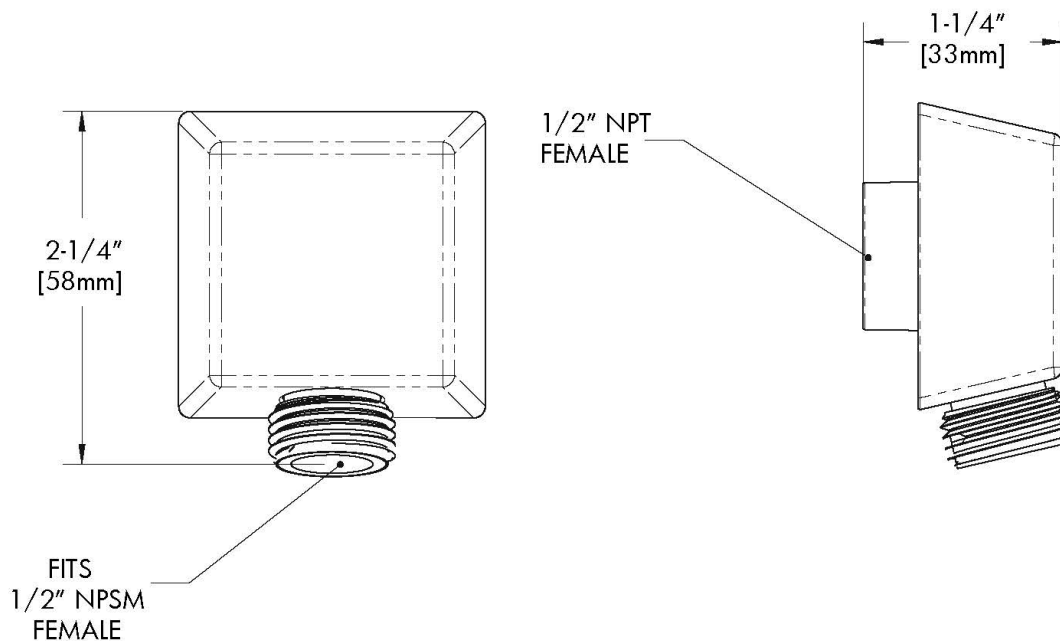
WARRANTY:

- 1 year limited



DIMENSIONS:

NOTE: 1. All dimensions are in inches (millimeters) unless otherwise specified and are subject to change without notice.



Architect/Engineer Approval Space:

SPEAKMAN
400 ANCHOR MILL ROAD
NEW CASTLE, DE 19720

P: 800-537-2107
F: 800-977-2747
W: WWW.SPEAKMAN.COM
R: JANUARY 2018