

# SPEAKMAN COMPANY

Caspian Collection Combination Series

SM-7400-P

## DESCRIPTION

Speakman Caspian Collection Combination Series unites the best products included in our Caspian Series. The combination begins with our anti-scald balanced pressure valve with integral diverter/volume control and integral stops, featuring a brass body and adjustable temperature limit stop. The wall plate, handle, and diverter/volume control handle are designed with definitive Caspian Collection styling. Piston type pressure balancing/ceramic regulating cartridge assembly with built-in check valves. Meets ASME A112.18.1 / CSA B125.1 & ASSE 1016 standards.

## SPECIFICATIONS

SM-7400-P Anti-Scald Balanced Pressure Valve:

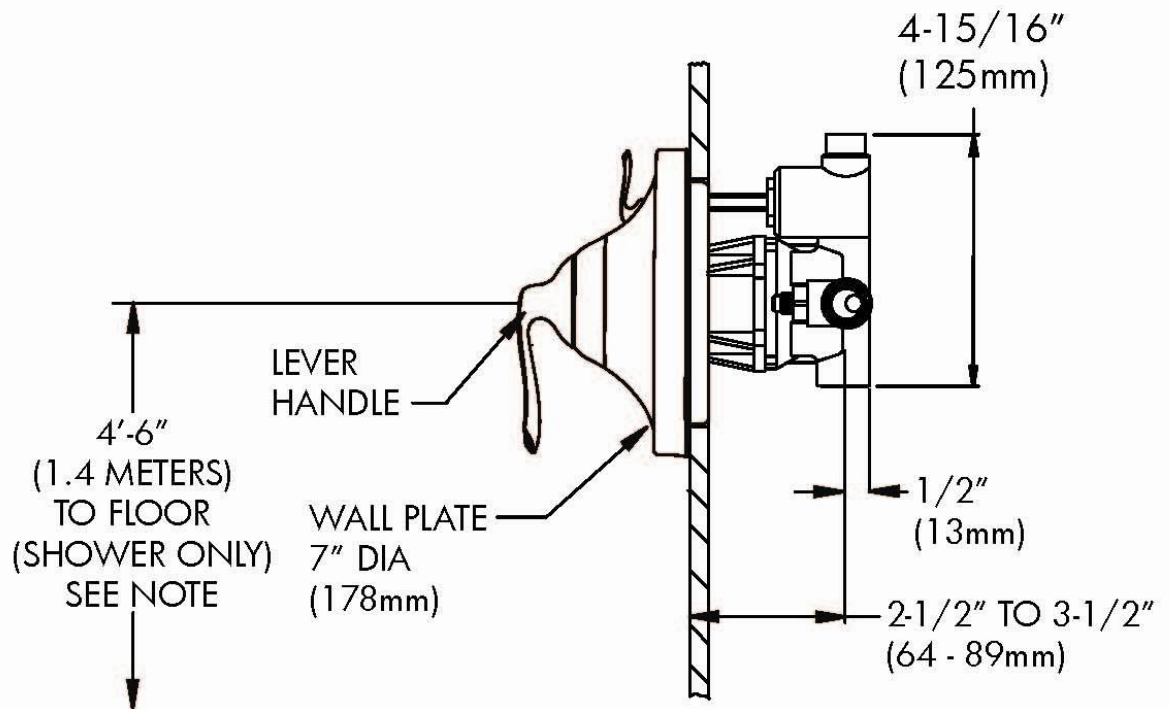
Connections: 1/2" female copper sweat inlets & shower outlet; 1/2" NPT female tub outlet

Flow Rate: For use with showerheads rated at 2.0 GPM (7.6 LPM) or higher.

## INSTRUCTIONS

See individual products for installation of the components and warranty information.

## ROUGH-IN



NOTE: FOR ADA MOUNTING LOCATIONS CONSULT ADAAG, ANSI A117.1 OR STATE REGULATIONS.