

SPEAKMAN®

SE-925 Installation, Maintenance & Operation Instructions LABORATORY DRENCH HOSE

DESCRIPTION

Wall mounted laboratory drench hose supplied with spray head with flip-off dust cover, and self-closing valve with automatic stay-open feature activated by squeeze handle.

SPECIFICATIONS

SPRAY HEAD: Yellow, ABS Plastic Spray Outlet, Dust Cover.
VALVE: 3/8" NPT Female Brass. Self-Closing with Hold-Open Lever.
ACTIVATOR: Brass, Chrome-Plated Squeeze Handle.
HOSE: 12' of 1/2" I.D. Recoiling Nylon.
ELBOW: 90°, Chrome-Plated Brass.
FLANGE: Chrome-Plated Brass.
INLET: 1/2" NPTM.
SHIPPING WEIGHT: 4.95 lbs.
EMERGENCY SIGN: 7-7/8" x 7-7/8" Plastic Wall Sign.

INSTALLATION

In desired location drill hole in wall to accommodate 1/2" NPT supply inlet. Review drawing (as shown on other side) to assure proper assembly. Connect a water supply to the unit (use pipe sealant on connection) that is a 1/2" minimum uninterrupted source of potable water. Failure to use potable water can result in emergency units producing impure or contaminated water causing possible further injury.

OPERATION

This drench hose is activated by squeezing the valve handle. Because of the automatic stay-open feature, the valve will open and remain on upon activation. A non-aerated flow of water will discharge and will continue to flow until the handle is squeezed, the stay-open plunger is pulled outward, and the handle is released.

TESTING PROGRAM

The American National Standards Institute (ANSI) states that all safety emergency equipment shall be activated on a weekly basis to flush the line and verify proper operation. Speakman Company furnishes a testing record tag (91-0635) with each unit. On this tag the date of inspection and the inspectors initials should be noted.

MAINTENANCE

Should you need parts to repair this unit, please reference the parts list below for correct part numbers. Before any maintenance is done ***be sure to shut the water supply off.***

WARNING: *Use only genuine Speakman parts when repairing or replacing components. To order parts call 1-800-537-2107.*

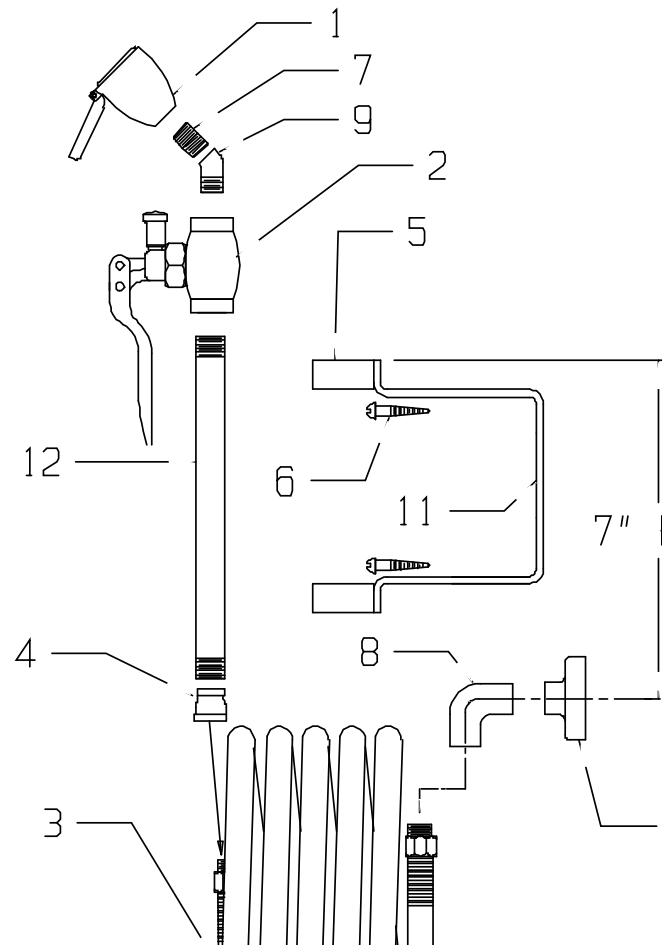
SPEAKMAN®

400 Anchor Mill Rd. New Castle, DE 19720 Phone: 800-537-2107
03/14 Visit us on the web at www.speakmancompany.com

Fax: 800-977-2747
92-SE-925-R10

SE-925 REPLACEMENT/REPAIR PARTS

ITEM	PART/GROUP#	DESCRIPTION
1	RPG38-0380	Spray Head Assy.
2	G20-1742-PC	Self-Closing Valve w/Auto Stay-Open
3	G63-0025-RCP	12' Nylon Recoil Hose
4	05-2194-PC	1/2" NPT to 3/8" NPT reducer
5	05-1672-VINYL	Hose Clip (2)
6	13-0032	Wood Screw (4)
7	31-0356-RCP-PUR	3/8" NPT Close Nipple
8	25-0017-RCP	1/2" NPT Elbow
9	25-0204-PC	3/8" M x 3/8" F Elbow
10	26-0044-PC-P	1/2" Pipe Wali Flange
11	56-0157	Bracket
12	31-0292-PC	3/8" NPT x 5"lg Br Pipe



FLOW DATA

DRENCH HOSE:

FLOW PRESSURE PSI (BAR)	30 (2.07)
FLOW RATE GPM (LPM)	1.65 (6.3)

NOTE: This unit should be connected to an uninterrupted source of potable water, with a minimum flowing pressure of 30 PSI and a maximum static pressure of 125 PSI.

Note: All units meet existing ANSI Z358.1 1998 Standards and OSHA Rules for drench hoses. Product improvements may cause specification and dimensional changes without notice.

SPEAKMAN®

400 Anchor Mill Rd. New Castle, DE 19720 Phone: 800-537-2107
03/14 Visit us on the web at www.speakmancompany.com

Fax: 800-977-2747
92-SE-925-R10