

SPEAKMAN®

SE-622, SE-623, SE-625, SE-626

Installation, Maintenance & Operation Instructions

SAFE-T-ZONE® EMERGENCY SHOWER AND EYE/FACE WASH

DESCRIPTION

Floor mounted emergency deluge shower and eye or eye/face wash combination unit.

SE-622, SE-626

Shower is supplied with a 1" NPTF stay-open full flow ball valve, activated by triangular pull handle. Eyewash is supplied with 1/2" NPTF stay-open full flow ball valve, activated by trigger bar.

SE-623, SE-625

Shower is supplied with a 1" NPTF stay-open full flow ball valve, activated by triangular pull handle. Eye/face wash is supplied with 1/2" NPTF stay-open full flow ball valve, activated by push handle.

SE-622 SPECIFICATIONS

SHOWER HEAD: 8" DIA. STAINLESS STEEL.

FLOW CONTROL: INTERNAL 20 GPM REGULATOR.

VALVE: 1" NPT FEMALE STAINLESS STEEL. FULL FLOW STAY-OPEN BALL VALVE.

ACTIVATOR: STAINLESS STEEL TUBE.

STANCHION: 1-1/2" STAINLESS STEEL, 18 GAUGE TUBING.

INLET & WASTE: 1-1/4" NPT MALE.

FLOOR FLANGE: STAINLESS STEEL WITH (4) 7/16" DIA. MOUNTING HOLES ON 4" CENTERS.

FINISH: STAINLESS STEEL.

EYEWASH: SE-505 (REFERENCE ADDITIONAL SE-505 IOM SHEET).

SHIPPING WEIGHT: 34 LB.

EMERGENCY SIGN: 7-7/8" X 12" PLASTIC WALL SIGN.

SE-623 SPECIFICATIONS

SHOWER HEAD: 8" DIA. STAINLESS STEEL.

FLOW CONTROL: INTERNAL 20 GPM REGULATOR.

VALVE: 1" NPT FEMALE STAINLESS STEEL. FULL FLOW STAY-OPEN BALL VALVE.

ACTIVATOR: STAINLESS STEEL TUBE.

STANCHION: 1-1/2" STAINLESS STEEL, 18 GAUGE TUBING.

INLET & WASTE: 1-1/4" NPT MALE.

FLOOR FLANGE: STAINLESS STEEL WITH (4) 7/16" DIA. MOUNTING HOLES ON 4" CENTERS.

FINISH: STAINLESS STEEL.

EYE/FACE WASH: SE-400 (REFERENCE ADDITIONAL SE-400 IOM SHEET).

SHIPPING WEIGHT: 37 LB.

EMERGENCY SIGN: 12" X 7-7/8" PLASTIC WALL SIGN.

SE-625 SPECIFICATIONS

SHOWER HEAD: 8" DIA. STAINLESS STEEL.

FLOW CONTROL: INTERNAL 20 GPM REGULATOR.

VALVE: 1" NPT FEMALE STAINLESS STEEL. FULL FLOW STAY-OPEN BALL VALVE.

ACTIVATOR: STAINLESS STEEL TUBE.

STANCHION: 1-1/2" STAINLESS STEEL, 18 GAUGE TUBING.

INLET & WASTE: 1-1/4" NPT MALE.

FLOOR FLANGE: STAINLESS STEEL WITH (4) 7/16" DIA. MOUNTING HOLES ON 4" CENTERS.

FINISH: STAINLESS STEEL.

EYE/FACE WASH: SE-490 (REFERENCE ADDITIONAL SE-490 IOM SHEET).

SHIPPING WEIGHT: 35 LB.

EMERGENCY SIGN: 7-7/8" X 12" PLASTIC WALL SIGN.

SPEAKMAN®

400 Anchor Mill Rd. New Castle, DE 19720 Phone: 800-537-2107 Fax: 800-977-2747

04/28/16 speakman.com 92-SE-62X-01

SE-626 SPECIFICATIONS

SHOWER HEAD: 8" DIA. STAINLESS STEEL.

FLOW CONTROL: INTERNAL 20 GPM REGULATOR.

VALVE: 1" NPT FEMALE STAINLESS STEEL. FULL FLOW STAY-OPEN BALL VALVE.

ACTIVATOR: STAINLESS STEEL TUBE.

STANCHION: 1-1/2" STAINLESS STEEL, 18 GAUGE TUBING.

INLET & WASTE: 1-1/4" NPT MALE.

FLOOR FLANGE: STAINLESS STEEL WITH (4) 7/16" DIA. MOUNTING HOLES ON 4" CENTERS.

FINISH: STAINLESS STEEL.

EYEWASH: SE-582 (REFERENCE ADDITIONAL SE-582 IOM SHEET).

SHIPPING WEIGHT: 39 LB.

EMERGENCY SIGN: 7-7/8" X 12" PLASTIC WALL SIGN.

INSTALLATION

When assembling use wrench to tighten connection joints. Be sure and use pipe sealant on all threaded connections. Review drawing (as shown on other side) to assure proper location of inlets, outlets, and accessories.

The best method to assembling this unit is as follows:

- (1) Mount the bottom stanchion section to the floor using suitable anchors. Then assemble the middle section and then the top section, making sure rubber sealing gasket is seated correctly. (Use pipe sealant on all joints).
- (2) Rest the eyewash bowl or eye/face wash bowl on the rubber washer and drain spud, making sure to get the bowl as level as possible.
- (3) Once bowl is positioned correctly on spud, apply plumbers putty to drain strainer and tighten with hex tool (supplied).
- (4) Take 1/2" stainless steel flexible hose and connect it to the 1/2" NPTM supply outlet located on the stanchion and the 1/2" in-line strainer on the eyewash or eye/face wash.
- (5) Assemble pull rod and shower head.
- (6) Once unit is completely assembled, connect potable water supply to 1-1/4" top inlet, and 1-1/4" waste to bottom outlet.

Failure to use potable water can result in emergency units producing impure or contaminated water causing possible further injury. The drain tailpiece or waste should be connected to an adequate drain in compliance with local plumbing codes.

OPERATION

The *shower* is activated by pulling the triangle pull handle. Once the valve is activated the head will continue to discharge water until the valve is manually closed. This is done by pushing up the pull handle to the off position.

The *eyewash* or *eye/face wash* is activated by pushing the trigger bar or the push handle back 90°. The unit will operate until the trigger bar or the push handle is manually pulled back up to the off position.

TESTING PROGRAM

The American National Standards Institute (ANSI) states that all safety emergency equipment shall be activated on a weekly basis to flush the line and verify proper operation. Speakman Company furnishes a testing record tag (91-0635) with each unit. On this tag the date of inspection and the inspector's initials should be noted.

SPEAKMAN®

400 Anchor Mill Rd. New Castle, DE 19720 Phone: 800-537-2107 Fax: 800-977-2747
04/28/16 speakman.com 92-SE-62X-01

MAINTENANCE

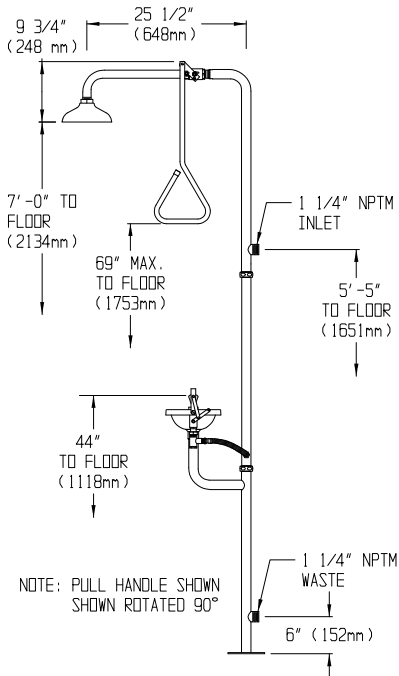
The valve and the eyewash or eye/face wash are the only portion of the unit that may require maintenance. Should you need parts to repair this unit, please reference the parts listing below for correct part numbers. Reference additional technical sheets (supplied) for information on the SE-505 eyewash, SE-400 eye/face wash, SE-490 eye/face wash, SE-582 eyewash, SE-820 shower head, and the SE-911-SS valve. Before any maintenance is done *be sure to shut the water supply off.*

SHOWER AND EMERGENCY EYEWASH COMBINATIONS	
SE-622 Stainless Steel	SE-505 Eyewash
SE-623 Stainless Steel	SE-400 Eye/Face Wash
SE-625 Stainless Steel	SE-490 Eye/Face Wash
SE-626 Stainless Steel	SE-582 Eyewash

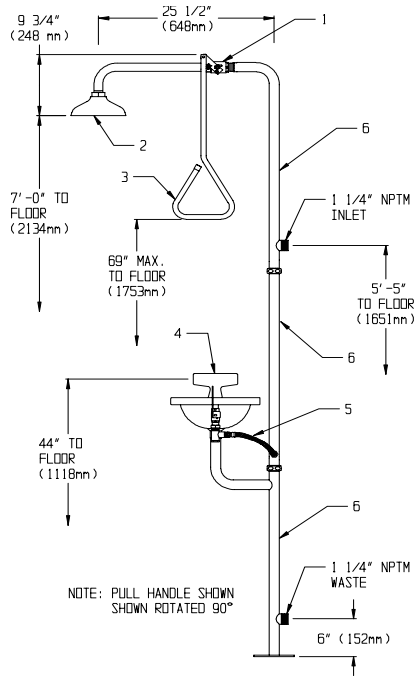
WARNING: Use only genuine Speakman parts when repairing or replacing components. To order parts call 1-800-537-2107.

SPEAKMAN®

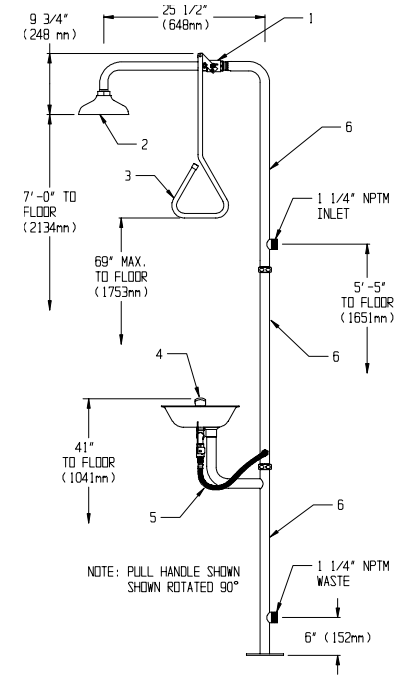
SE-622 ROUGH-IN



SE-623 ROUGH-IN



SE-625/626 ROUGH-IN



REPLACEMENT/REPAIR PARTS

ITEM	PART/GROUP #	DESCRIPTION
1	SE-911-SS	1" Ball Valve with Pull Rod
2	SE-820	8" Stainless Steel Shower Head
3	RPG47-0043	Pull Handle
4A	SE-505	Eyewash
4B	SE-400	Eye/Face Wash
4C	SE-490	Eye/Face Wash
4D	SE-582	Eyewash
5	63-0027	S/S Flexible Hose

Note: All units meet existing ANSI Z358.1 Standards and OSHA Rules. Product improvements may cause specification and dimensional changes without notice.

FLOW DATA

SHOWER:

FLOW PRESSURE PSI (BAR)	30 (2.07)	60 (4.14)
FLOW RATE GPM (LPM)	20 (75)	25 (94)

SE-505 EYEWASH:

FLOW PRESSURE PSI (BAR)	30 (2.07)
FLOW RATE GPM (LPM)	3 (11)

SE-490 EYE/FACE WASH:

FLOW PRESSURE PSI (BAR)	30 (2.07)
FLOW RATE GPM (LPM)	4.5 (17.0)

SE-400 EYE/FACE WASH:

FLOW PRESSURE PSI (BAR)	30 (2.07)
FLOW RATE GPM (LPM)	9.55 (36.6)

SE-582 EYEWASH:

FLOW PRESSURE PSI (BAR)	30 (2.07)
FLOW RATE GPM (LPM)	3.2 (12.1)

NOTE: This unit should be connected to an uninterrupted source of potable water, with a minimum flowing pressure of 30 PSI and a maximum static pressure of 80 PSI.

SPEAKMAN®