

SPEAKMAN®

SE-236, SE-236-PR

Installation, Maintenance & Operation Instructions

LIFESAVER® EMERGENCY SHOWER

DESCRIPTION

(SE-236)

Emergency deluge shower for concealed ceiling mounting, supplied with stay-open full flow ball valve activated by on/off pull rings with ceiling ferrules.

(SE-236-PR)

Emergency deluge shower for drop down through ceiling applications, supplied with stay-open full flow ball valve activated by aluminum pull rod.

SE-236 SPECIFICATIONS

SHOWER HEAD: 10" DIA. STAINLESS STEEL SHOWER HEAD.

FLOW CONTROL: INTERNAL 20 GPM REGULATOR.

VALVE: 1" NPT FEMALE BRASS, CHROME-PLATED. STAY-OPEN VALVE.

ACTIVATOR: 8" DIA. STAINLESS STEEL RING, (ON).

3" DIA. STAINLESS STEEL RING, (OFF).

#3 STAINLESS STEEL CHAIN.

INLET: 1" NPT FEMALE.

FLANGE: (2) BRASS, CHROME-PLATED.

PIPE: 1" IPS GALVANIZED STEEL.

SHIPPING WEIGHT: 16 LB.

EMERGENCY SIGN: 7-7/8" X 7-7/8" PLASTIC WALL SIGN.

SE-236-PR SPECIFICATIONS

SHOWER HEAD: 10" DIA. STAINLESS STEEL SHOWER HEAD.

FLOW CONTROL: INTERNAL 20 GPM REGULATOR.

VALVE: 1" NPT FEMALE BRASS, CHROME-PLATED. STAY-OPEN VALVE.

ACTIVATOR: POWDER COATED YELLOW, ALUMINUM PULL ROD.

INLET: 1" NPT FEMALE.

FLANGE: (1) PLASTIC, CHROME-PLATED.

PIPE: 1" IPS GALVANIZED STEEL.

SHIPPING WEIGHT: 16 LB.

EMERGENCY SIGN: 7-7/8" X 7-7/8" PLASTIC WALL SIGN.

INSTALLATION

Assemble unit to a 1" supply pipe that has an uninterrupted source of potable water. Use pipe sealant on this joint. Review drawing (as shown on other side) to assure proper installation. Use pipe strap to tighten polished chrome pipe to protect from damaging finish. Failure to use potable water can result in emergency units producing impure or contaminated water causing possible further injury.

OPERATION

(SE-236)

This shower is activated by pulling downward on the 8" Dia. stainless steel ring. The valve will continue to discharge water until manually shut off, by pulling downward on the 3" Dia. stainless steel ring.

(SE-236-PR)

This shower is activated by pulling downward on the aluminum pull rod. The valve will continue to discharge water until the pull rod is manually shut off by pushing pull rod up into off position.

SPEAKMAN®

400 Anchor Mill Rd. New Castle, DE 19720 Phone: 800-537-2107 Fax: 800-977-2747

06/12/16 speakman.com 92-SE-236-PR-02

SE-236 ROUGH-IN

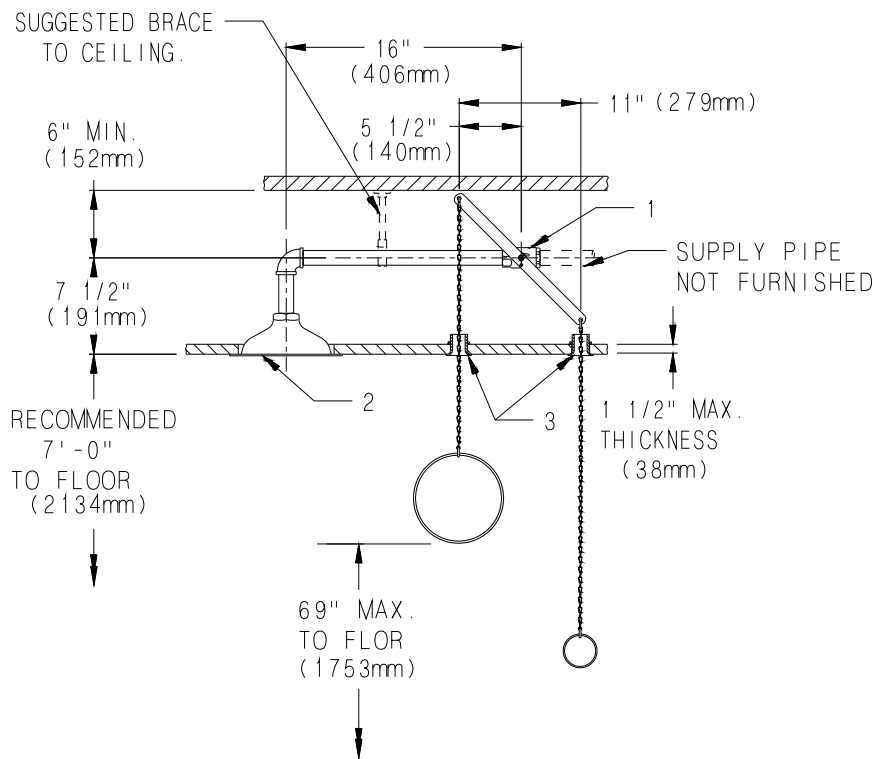
TESTING PROGRAM

The American National Standards Institute (ANSI) states that all safety emergency equipment shall be activated on a weekly basis to flush the line and verify proper operation. Speakman Company furnishes a testing record tag (91-0635) with each unit. On this tag the date of inspection and the inspector's initials should be noted.

MAINTENANCE

Should you need parts to repair this unit, please reference the parts listing below for correct part numbers. Reference additional technical sheet (supplied) for information on the SE-911 stay-open valve. Before any maintenance is done **be sure to shut the water supply off.**

WARNING: Use only genuine Speakman parts when repairing or replacing components. To order parts call 1-800-537-2107.



REPLACEMENT/REPAIR PARTS

ITEM	PART/GROUP #	DESCRIPTION
1	SE-911-CR	1" Stay-Open Valve With Chain and Ring
2	SE-830	10" Flanged Shower Head With Face Plate

FLOW DATA

SHOWER:

FLOW PRESSURE	PSI (BAR)	20 (1.38)	60 (4.14)
FLOW RATE	GPM (LPM)	20 (75)	25 (94)

NOTE: This unit should be connected to an uninterrupted source of potable water, with a minimum flowing pressure of 20 PSI and a maximum static pressure of 125 PSI.

Note: All units meet existing ANSI Z358.1 Standards and OSHA Rules. Product improvements may cause specification and dimensional changes without notice.

SPEAKMAN®

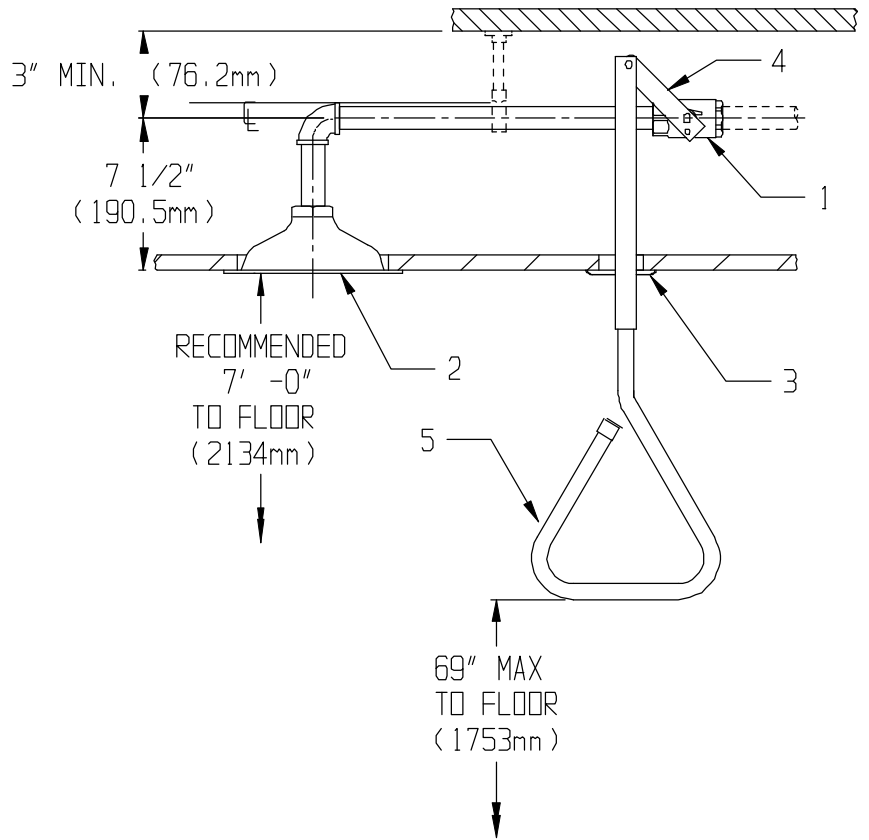
SE-236-PR ROUGH-IN

MAINTENANCE

Should you need parts to repair this unit, please reference the parts listing below for correct part numbers. Reference additional technical sheet (supplied) for information on the SE-911-PR stay-open valve. Before any maintenance is done **be sure to shut the water supply off.**

WARNING: Use only genuine Speakman parts when repairing or replacing components.

To order parts call 1-800-537-2107.



REPLACEMENT/REPAIR PARTS

ITEM	PART/GROUP #	DESCRIPTION
1	SE-911-PR	1" Stay-Open Valve With Pull Rod
2	SE-830	10" Stainless Steel Shower Head
3	26-0250-RCP	Ceiling Pipe Flange
4	G04-0722	Short Lever Handle w/Plunger
5	RPG47-0046	Aluminum Pull Rod

FLOW DATA

SHOWER:

FLOW PRESSURE	PSI (BAR)	20 (1.38)	60 (4.14)
FLOW RATE	GPM (LPM)	20 (75)	25 (94)

NOTE: This unit should be connected to an uninterrupted source of potable water, with a minimum flowing pressure of 20 PSI and a maximum static pressure of 80 PSI.

Note: All units meet existing ANSI Z358.1 Standards and OSHA Rules. Product improvements may cause specification and dimensional changes without notice.

SPEAKMAN®