

SPEAKMAN® SA-1102

Alexandria Slide Bar

FEATURES:

- 22 in. length
- Metal construction
- Mounting hardware included

FINISH:



PC

BN

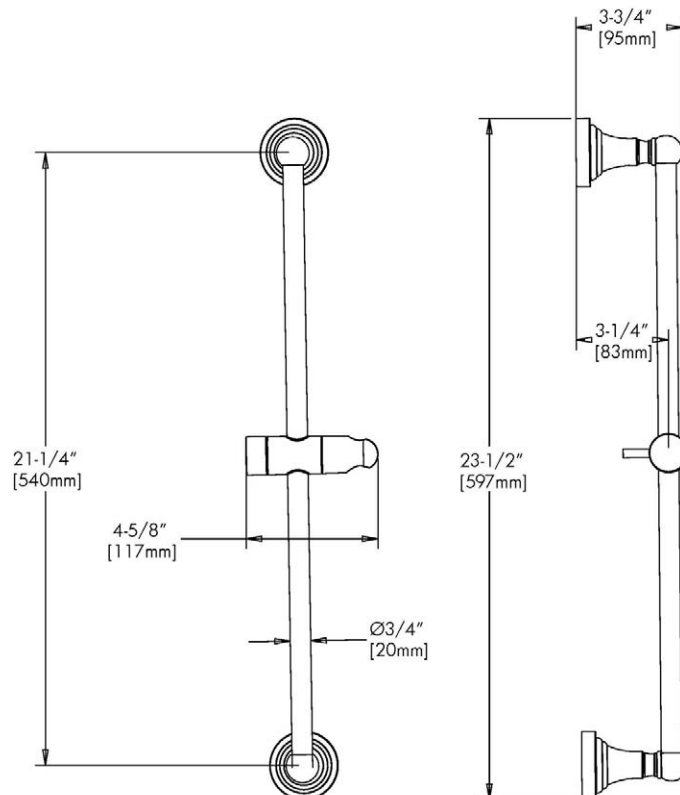
WARRANTY:

- 1 year limited



DIMENSIONS:

NOTE: 1. All dimensions are in inches (millimeters) unless otherwise specified and are subject to change without notice.



Architect/Engineer Approval Space:

SPEAKMAN
400 ANCHOR MILL ROAD
NEW CASTLE, DE 19720

P: 800-537-2107
F: 800-977-2747
W: WWW.SPEAKMAN.COM
R: AUGUST 2016

225