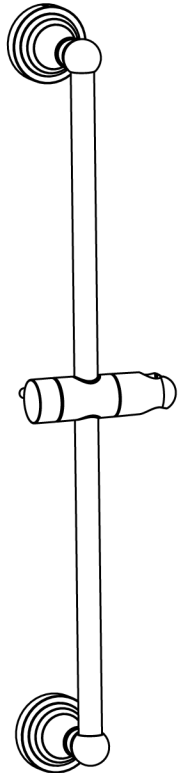


## Instructions for Models:

SA-1 102  
SA-1 102-BN  
SA-1 102-PN



### Need Help?

For additional assistance or service call:

**SPEAKMAN** Company  
400 Anchor Mill Road  
New Castle, DE 19720

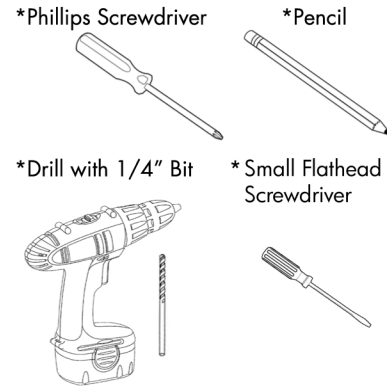
PHONE: 800-537-2107  
EMAIL: [customerservice@speakmancompany.com](mailto:customerservice@speakmancompany.com)  
WEB: [www.speakmancompany.com](http://www.speakmancompany.com)

92-3330-R2

## What You Need To Know:

### Tools:

#### Required:



#### Helpful:



### Important Notes:

Be sure to read instructions thoroughly before beginning installation. Do not overtighten any connections or damage may occur.

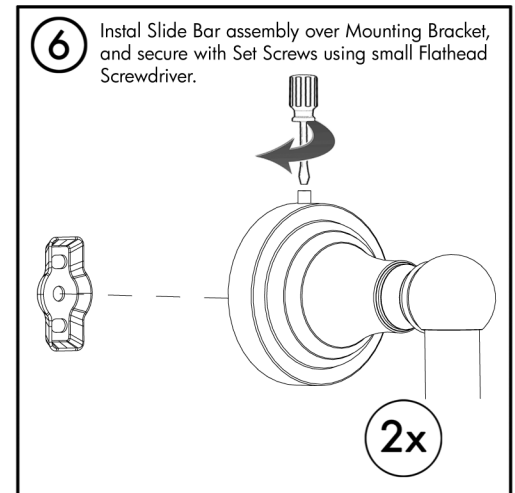
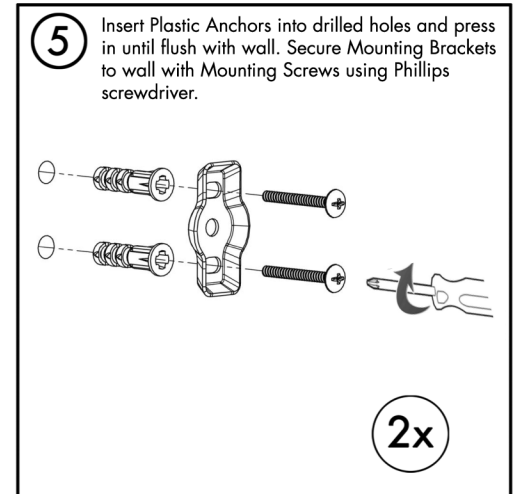
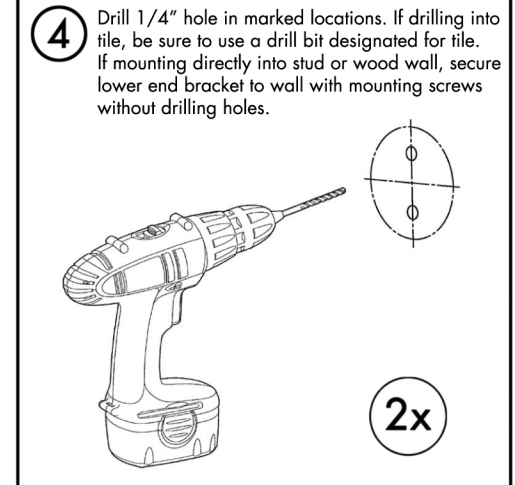
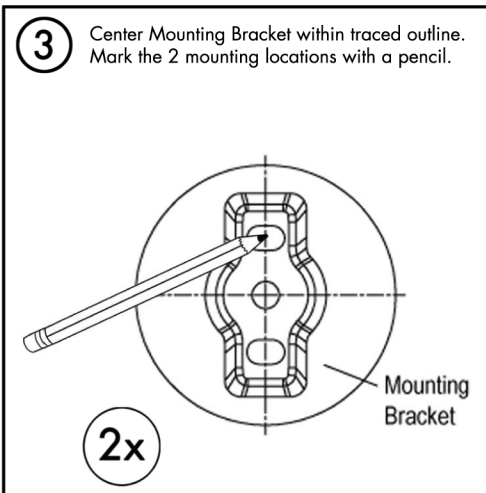
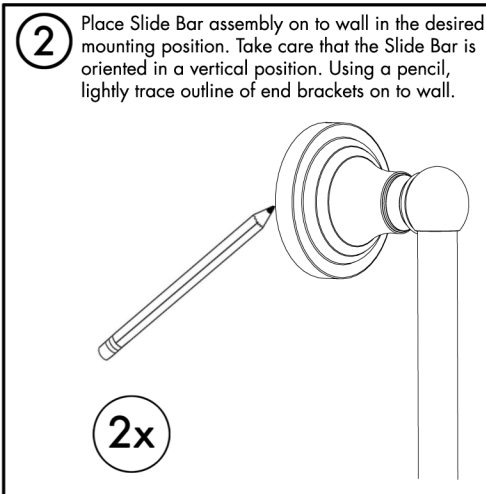
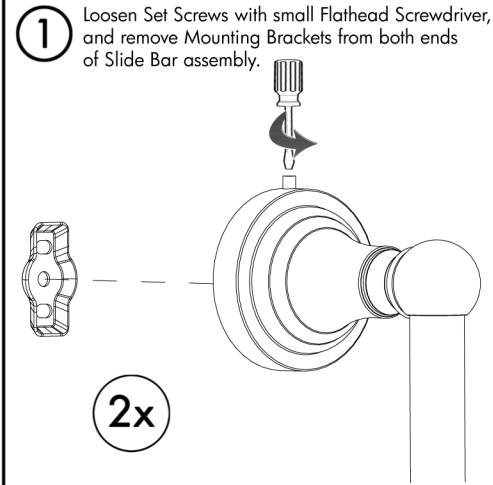
### Safety Tips:

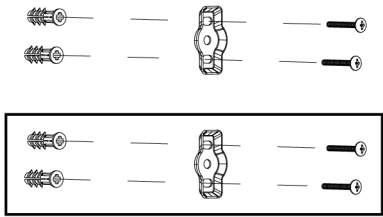
This item is NOT designed for use as a grab bar. Do not mount in locations where product is likely to be used as a grab bar.

Use caution when drilling into walls to avoid electrical and plumbing lines hidden within wall.

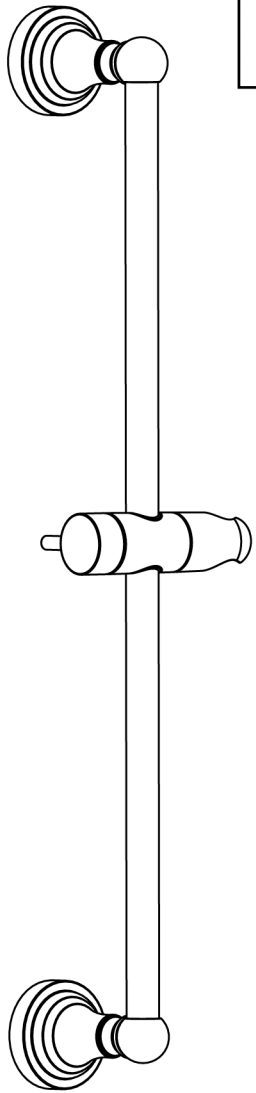
### Maintenance:

Clean with a soft, damp cloth only. Do not use scrub pads, detergents or cleansers as they may harm the protective finish of your Slide Bar





RPG05-0885



8-32 UNC-2A THREAD  
SET SCREW

