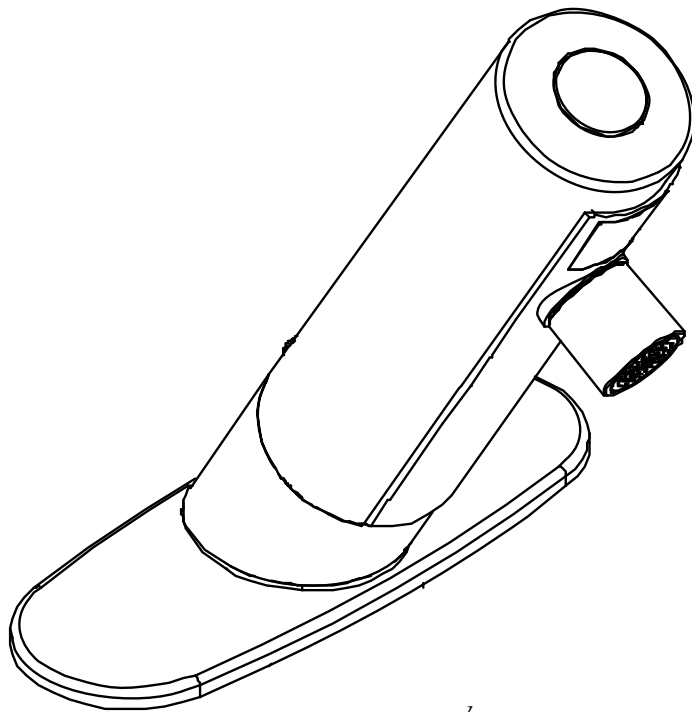


SPEAKMAN SENSORFLO[®]

AC Powered Infrared Sensor Faucet S-9610

SPECIFICATION



FEATURES:

- Chrome-plated Brass Construction
- Sensor Range from 2"-8"
- 0.5 gpm (1.9 L/min) flow rate
- 0.5 – 1.0 second time delay
- 60 second flow time out feature
- AC Powered

COMPLIANCE:

- Meets ASME A112.18.1/CSA B125.1 Standards

AVAILABLE FINISHES:

- Polished Chrome (standard)

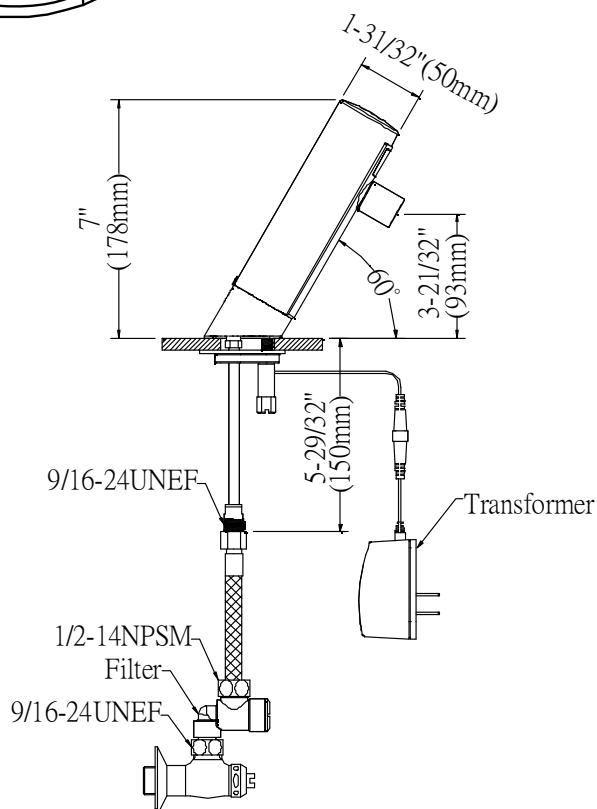
OPTIONS:

ADD SUFFIX TO MODEL #

- 1.5 GPM AERATED OUTLET -GB
- 1.5 GPM NON-AERATED OUTLET
– LAMINAR FLOW -LF-1.5

WARRANTY:

- 1 year limited



NOTE: 1. All dimensions are in inches (millimeters) unless otherwise specified and are subject to change without notice.

THIS SPACE FOR ARCHITECT/ENGINEER APPROVAL.

SPEAKMAN[®]

400 ANCHOR MILL ROAD | NEW CASTLE, DE 19720
P: 800-537-2107 | F: 800-977-2747
WWW.SPEAKMANCOMPANY.COM



REVISION DATE: NOV. 2011