

SPEAKMAN® S-1556

Diverter Tub Spout

FEATURES:

- Chrome plated metal diverter tub spout.
- ½ in. slipfit connection.

COMPLIANCE:

- Certified to ASME A112.18.1/CSA B125.1

FINISH:



PC

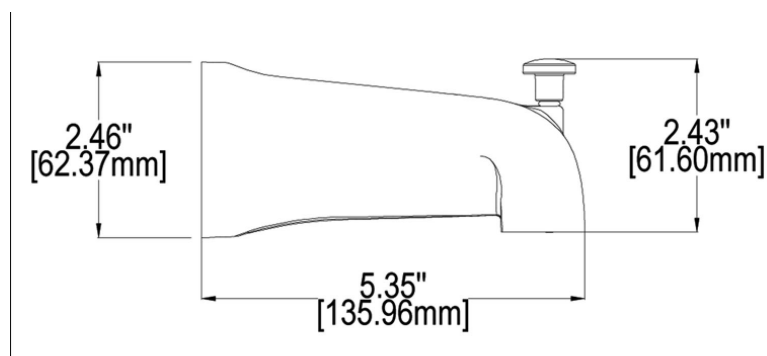
WARRANTY:

- 5 Year Limited



DIMENSIONS:

NOTE: 1. All dimensions are in inches (millimeters) unless otherwise specified and are subject to change without notice.



Architect/Engineer Approval Space:

SPEAKMAN
400 ANCHOR MILL ROAD
NEW CASTLE, DE 19720

P: 800-537-2107
F: 800-977-2747
W: WWW.SPEAKMAN.COM
R: MAY 2017