

Neo™ Hand Held Shower

MODELS:

- VSR-3010-E2: 2.0 GPM (7.6 L/min) flow rate
- VSR-3010-E175: 1.75 GPM (6.6 L/min) flow rate

FEATURES:

- 5 plungers with 45 sprays, 12 massage jets, 3 spray patterns
- Patented Anystream® plungers resist scale build-up
- Spray adjusting faceplate
- Plastic body construction
- Hand held shower has 1/2" -14 NPSM male inlet
- Includes coordinating shower bracket with 1/2" -14 NPTF female inlet, 1/2" -14 NPSM male outlet with check valve
- Includes 5' metal hose with (1) 1/2" -14 NPSM female inlet and (1) 1/2"-14 NPSM female outlet with check valve
- Corrosion resistant finishes
- Coordinates with Neo Collection

STOCK FINISHES:



PC

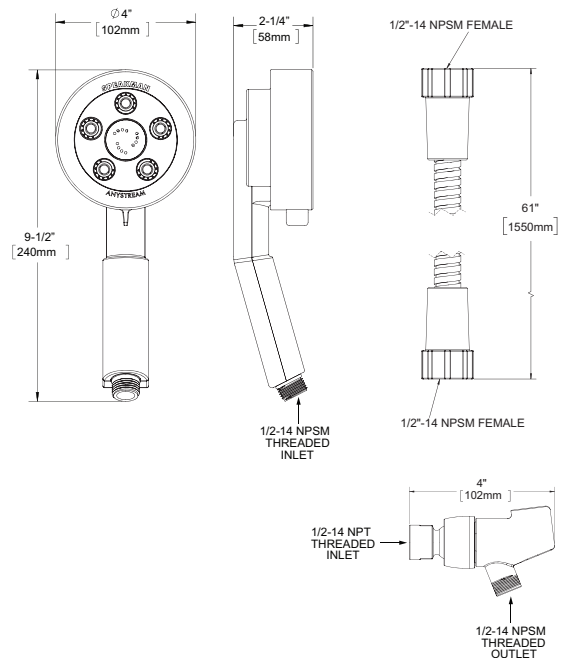
STANDARDS:

- ASME A112.18.1/CSA B125.1 certified
- CEC (CA Energy Commission) certified, 1.75 GPM only
- WaterSense certified, 2.0 & 1.75 GPM only

WARRANTY:

Visit www.speakman.com for full product warranty information

- Limited Lifetime Warranty (consumer)
- 1 Year Limited Warranty (commercial)



All dimensions are in inches (millimeters) unless otherwise specified and are subject to change without notice.

Architect/Engineer Approval Space:

P: 800-537-2107
 F: 800-977-2747
 W: WWW.SPEAKMAN.COM
 R: 01-JUNE 2021