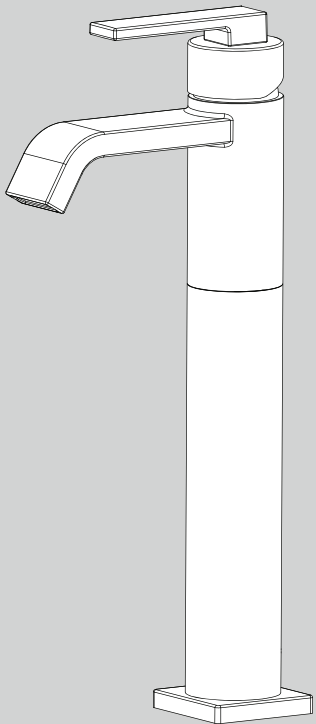


INSTRUCTIONS FOR MODELS

SB-2504



NEED HELP?

For additional assistance or service please contact:

SPEAKMAN®

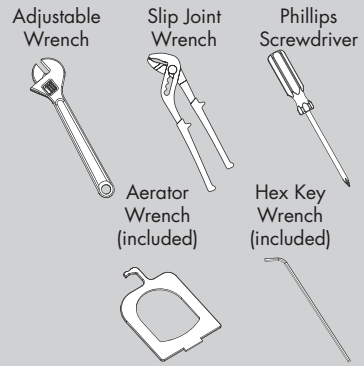
800-537-2107

customerservice@speakman.com

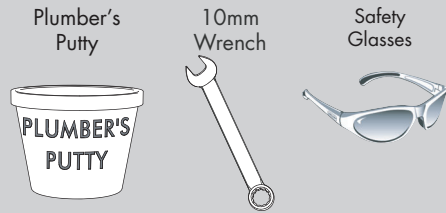
www.speakman.com

92-SB-2504-02

TOOLS AND SUPPLIES



HELPFUL TOOLS & SUPPLIES:



IMPORTANT

- Do not over-tighten any connections or damage may occur.
- Be sure to read instructions thoroughly before beginning installation.
- This faucet has an operating range of 20-80 psi.

SAFETY TIPS

Cover your drain to prevent loss of parts. Be sure to wear eye protection while cutting pipe.

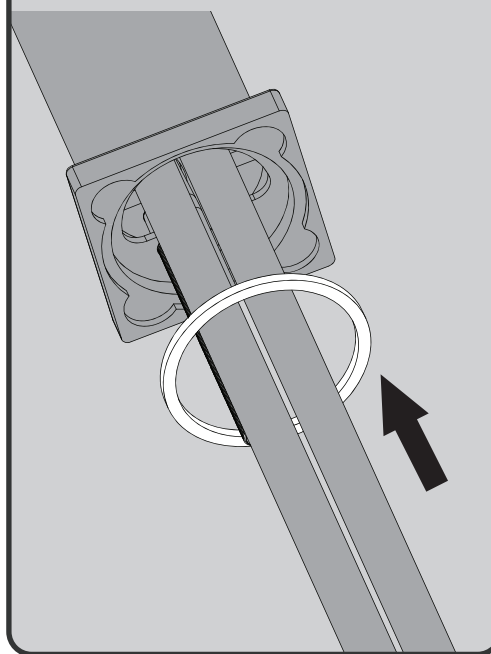
MAINTENANCE

Your new Speakman Product is designed for years of trouble-free performance. Keep it looking new by cleaning it periodically with a soft cloth. The use of harsh chemicals and abrasives on any of the Speakman custom finish products may damage the finish and void the product warranty. Please be sure to only use approved cleaners. Please contact Speakman for any clarification of acceptable cleaners.

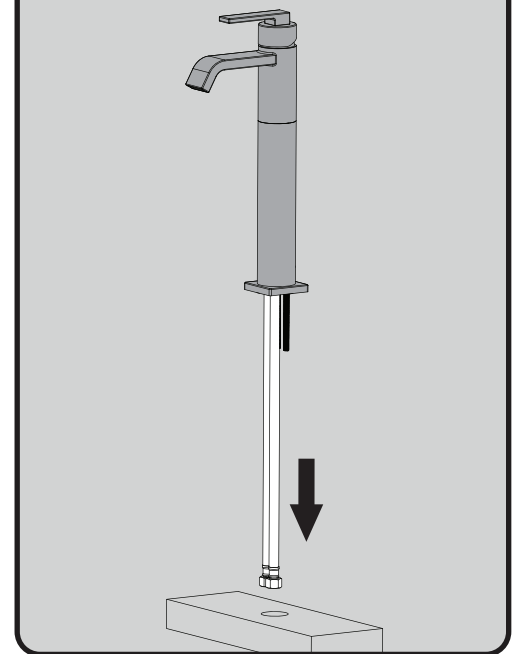
WARRANTY

Warranty information can be found at: www.speakman.com

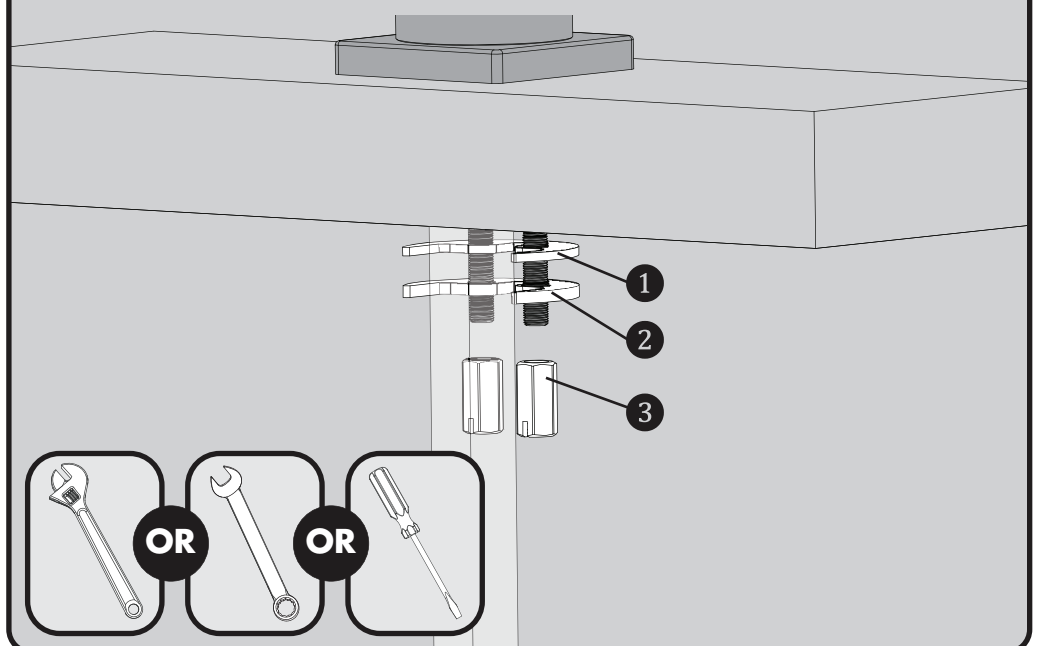
1 Verify the Base Flange Gasket is in position.



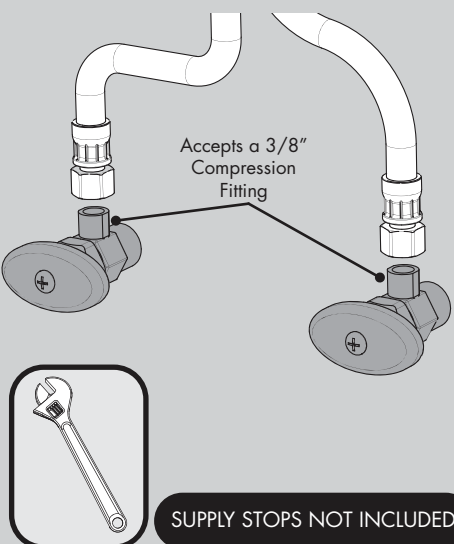
2 Place Hoses, one at a time, thru hole in mounting surface. Lower Faucet into position.



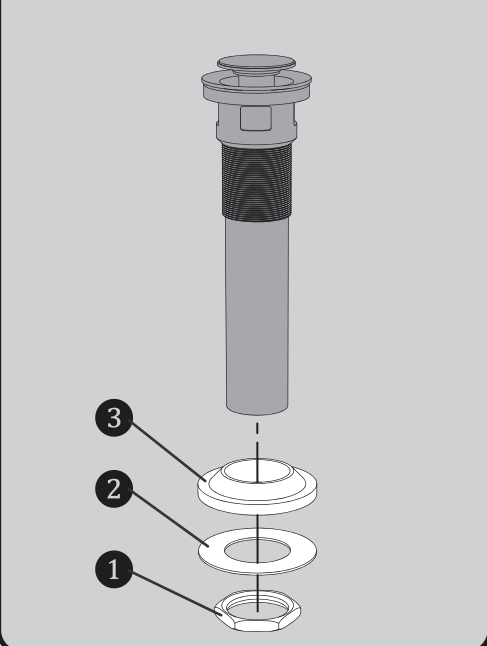
3 From below, install Rubber Washer (1), Metal Washer (2), and secure with Mounting Nuts (3). Align Faucet to desired position and wrench tighten Mounting Nuts (3).



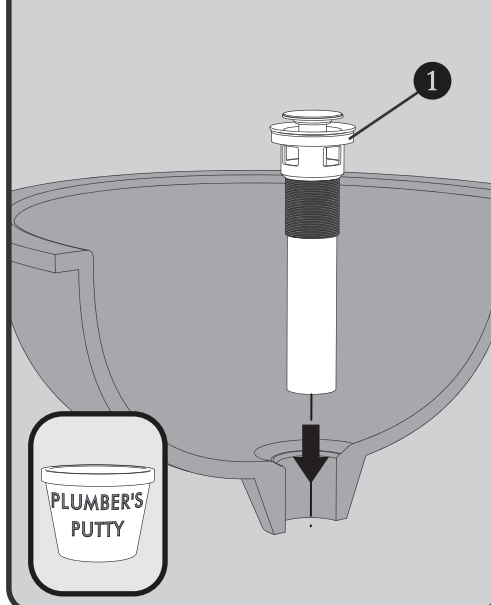
4 Make connections to water supplies. The inlet threads of the faucet are 9/16"-24 UNF and will accept a 3/8" Compression Fitting. HOT and COLD hoses are clearly marked. Wrench Tighten.



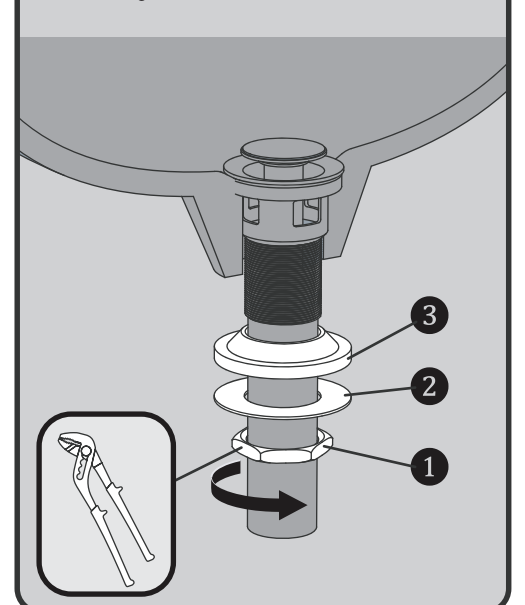
5 Remove Mounting Nut (1), Metal Washer (2), and Sealing Washer (3) from Drain Assembly.



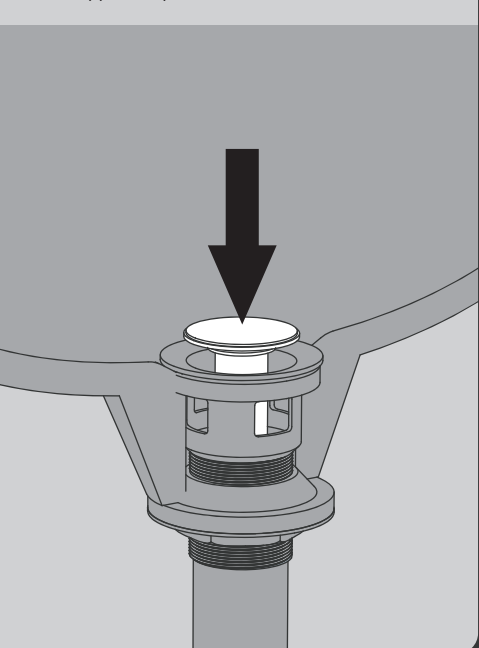
6 Apply included Upper Drain Seal (1) or Plumber's Putty to the underside of the Upper Flange. Insert Drain Assembly into drain hole of sink from above.



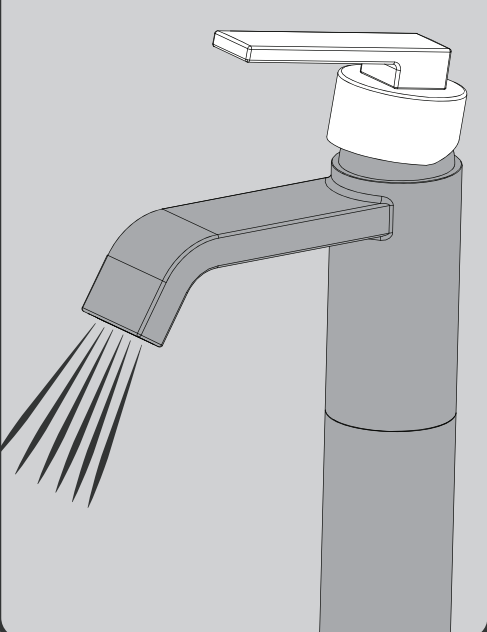
7 From below, install Sealing Washer (3), Metal Washer (2), and secure with Mounting Nut (1). Tighten with Slip Joint Pliers. Take care to not over-tighten connection.



8 Test Drain operation by pressing down on Stopper to open/close Drain.

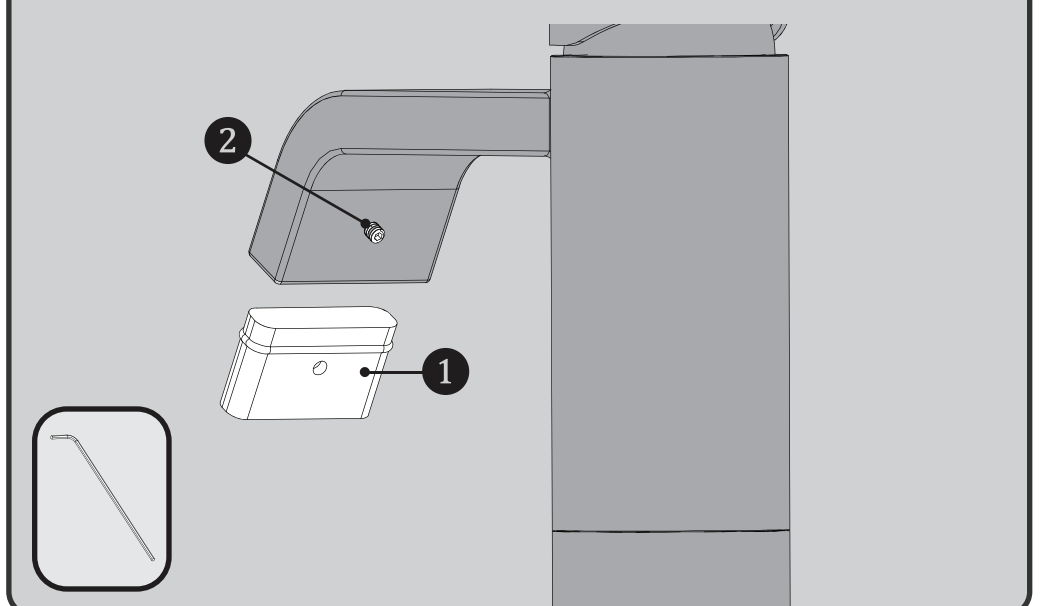


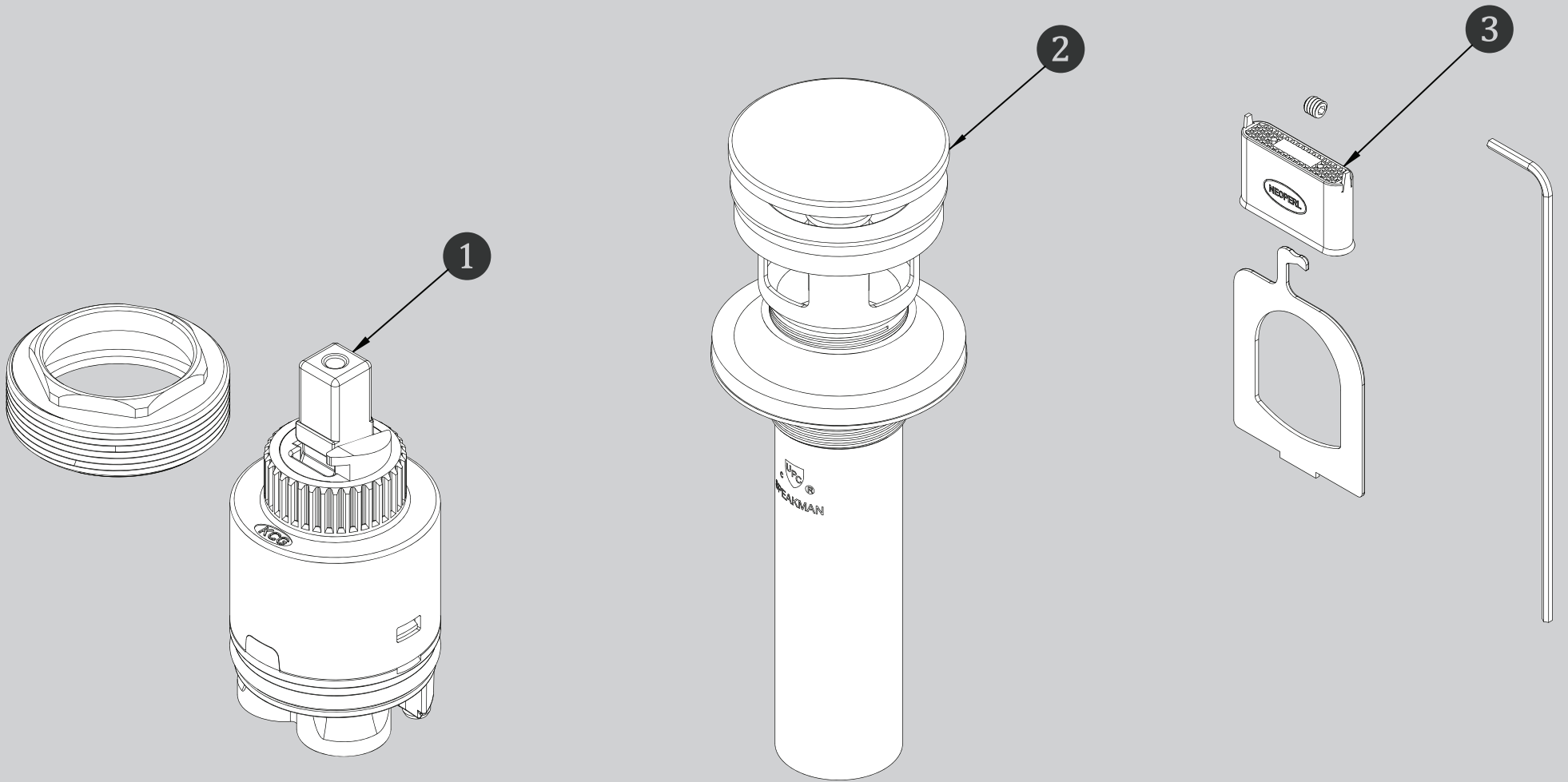
9 Turn ON Water Supplies and check for leaks. Activate faucet and flush both HOT and COLD water for 1 minute.



10 After flushing is complete, turn OFF the water and install Aerator (1) to Spout and secure into position using the included Hex Wrench.

- Align threaded hole of Aerator towards the rear as shown. Lock Aerator in place by tightening Aerator Set Screw (2) with the included Hex Key.





ITEM NO.	PART NO.	DESCRIPTION
1	RPG05-0986	CARTRIDGE AND RETAINING NUT REPAIR GROUP
2	S-3470	DRAIN REPAIR GROUP
3	RPG05-106849	AERATOR REPAIR GROUP

SB-2504 ROUGH-IN DIAGRAM

NOTES:

COMPLIANCE:

ASME A112.18.1
CSA B125.A
NSF61/372
WATERSENSE

FLOW DATA:

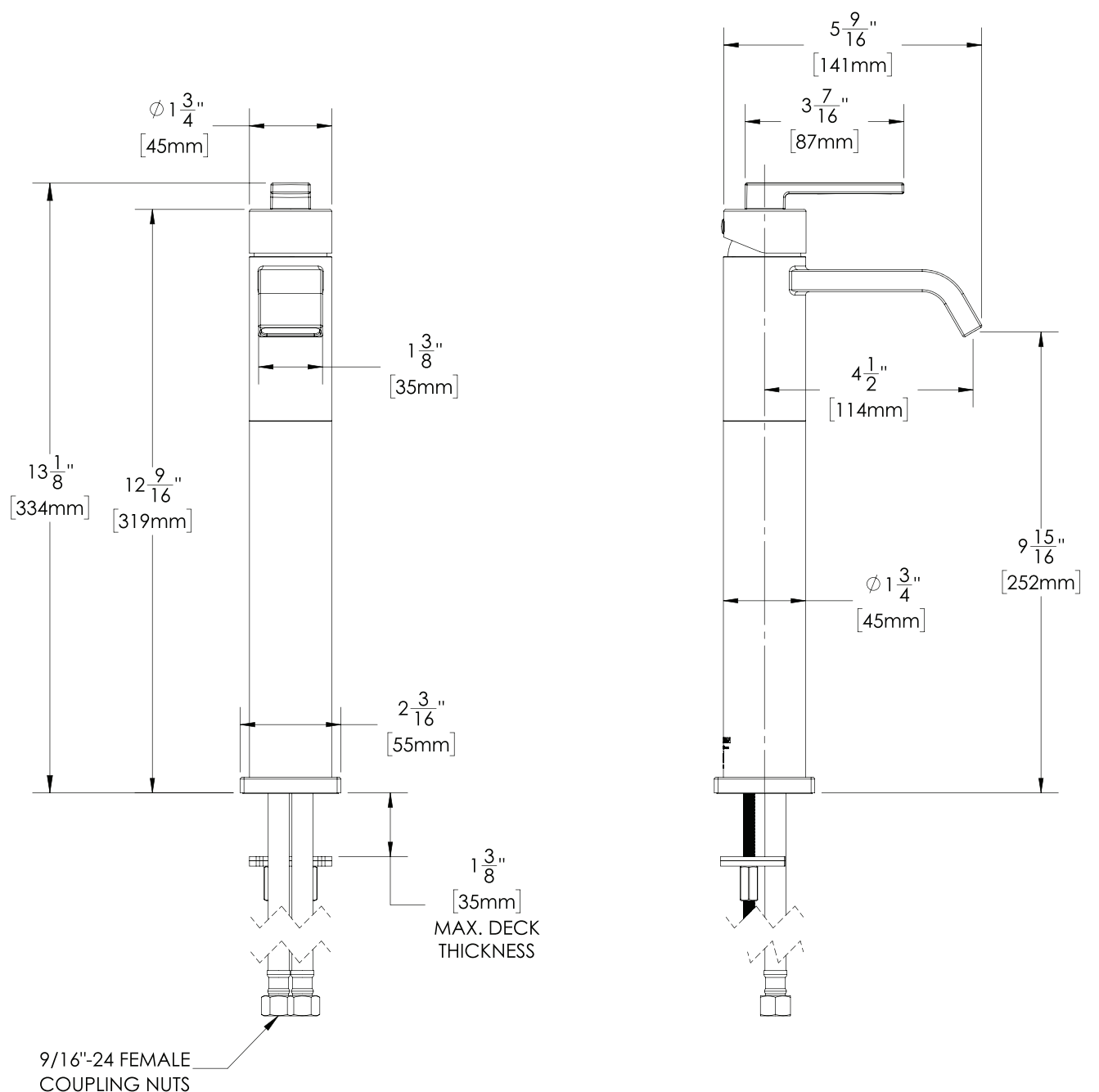
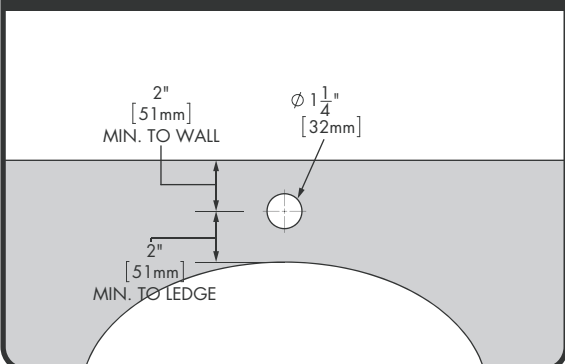
1.2 gpm (4.5 L/min)

CONNECTIONS:

Supply Connection:
9/16"-24 (3/8 compression)

Contractor to supply necessary inlet connections.

LAVATORY ROUGH-IN



9/16"-24 FEMALE COUPLING NUTS