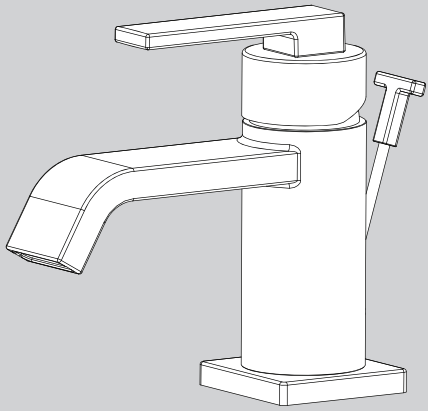
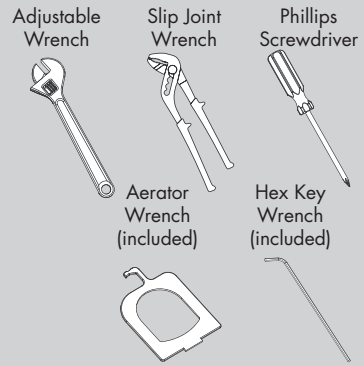


INSTRUCTIONS FOR MODELS

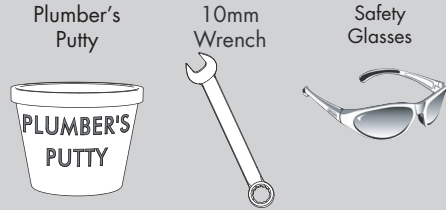
SB-2503



TOOLS AND SUPPLIES



HELPFUL TOOLS & SUPPLIES:



IMPORTANT

- Do not over-tighten any connections or damage may occur.
- Be sure to read instructions thoroughly before beginning installation.
- This faucet has an operating range of 20-80 psi.

SAFETY TIPS

Cover your drain to prevent loss of parts. Be sure to wear eye protection while cutting pipe.

MAINTENANCE

Your new Speakman Product is designed for years of trouble-free performance. Keep it looking new by cleaning it periodically with a soft cloth. The use of harsh chemicals and abrasives on any of the Speakman custom finish products may damage the finish and void the product warranty. Please be sure to only use approved cleaners. Please contact Speakman for any clarification of acceptable cleaners.

WARRANTY

Warranty information can be found at: www.speakman.com

NEED HELP?

For additional assistance or service please contact:

SPEAKMAN®

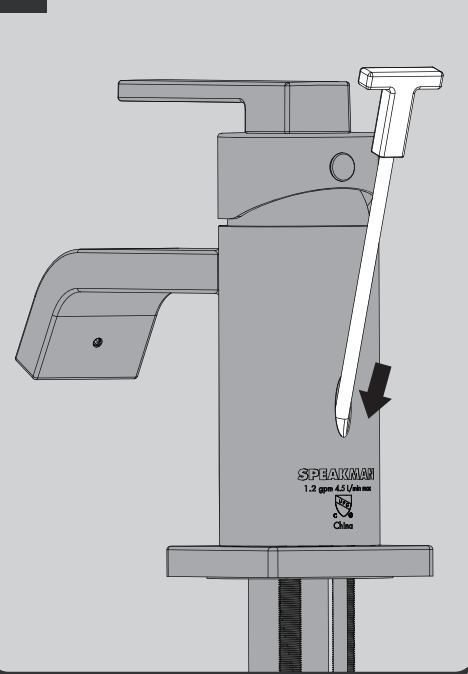
800-537-2107

customerservice@speakman.com

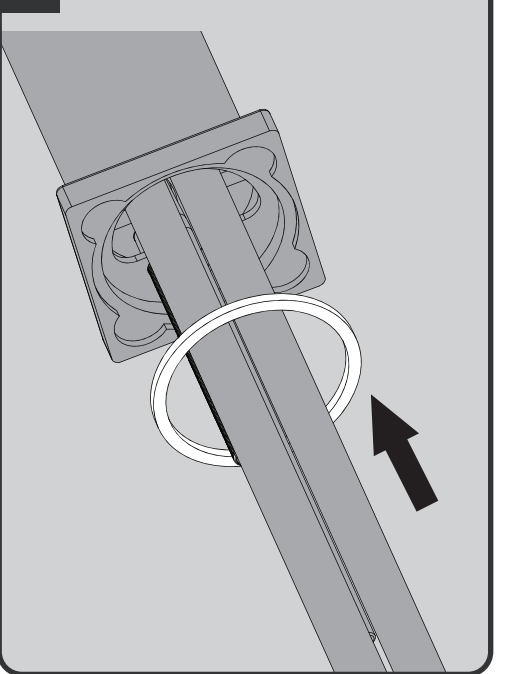
www.speakman.com

92-SB-2503-02

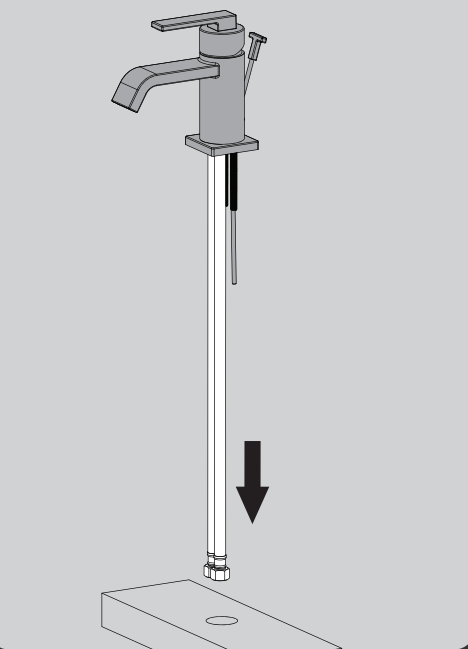
1 Insert Lift Rod thru hole at rear of Faucet.



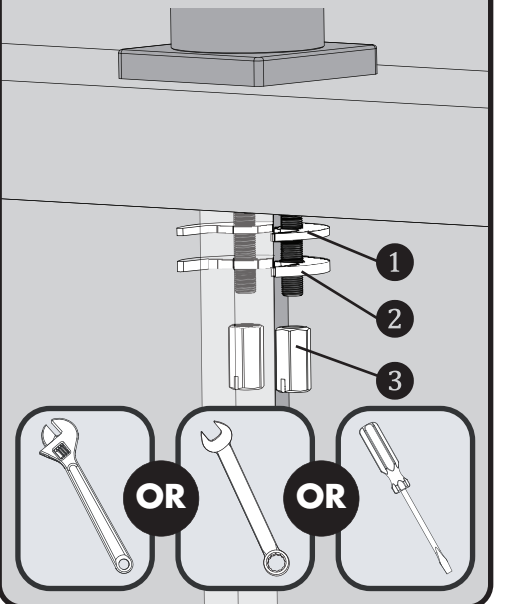
2 Verify the Base Flange Gasket is in position.



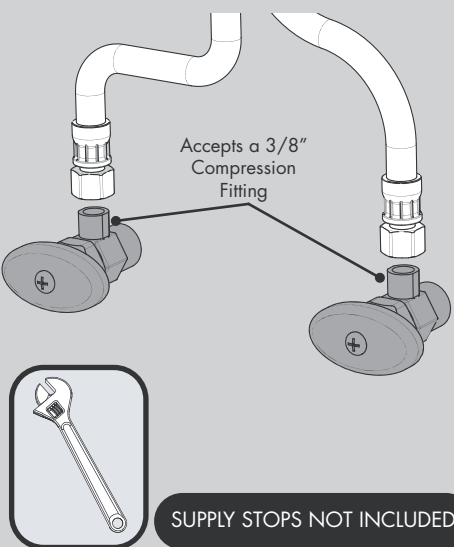
3 Place Hoses, one at a time, thru hole in mounting surface. Lower Faucet into position.



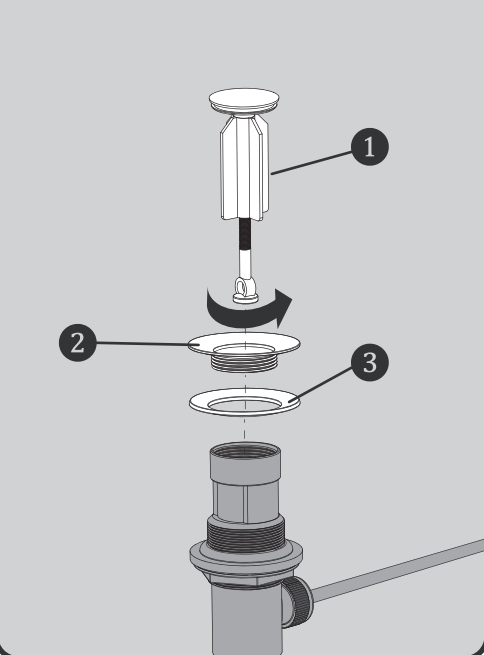
4 From below, install Rubber Washer (1), Metal Washer (2), and secure with Mounting Nuts (3). Align Faucet to desired position and wrench tighten Mounting Nuts (3).



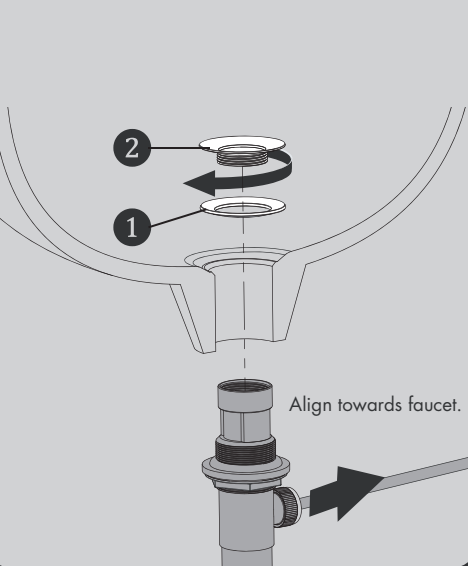
5 Make connections to water supplies. The inlet threads of the faucet are 9/16"-24 UNF and will accept a 3/8" Compression Fitting. HOT and COLD hoses are clearly marked. Wrench Tighten.



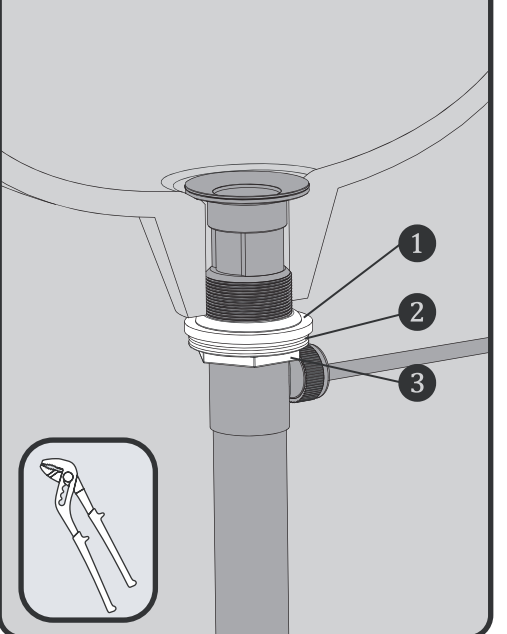
6 Remove Stopper (1), Flange Nut (2), and Flange Washer (3) from Drain Assembly.



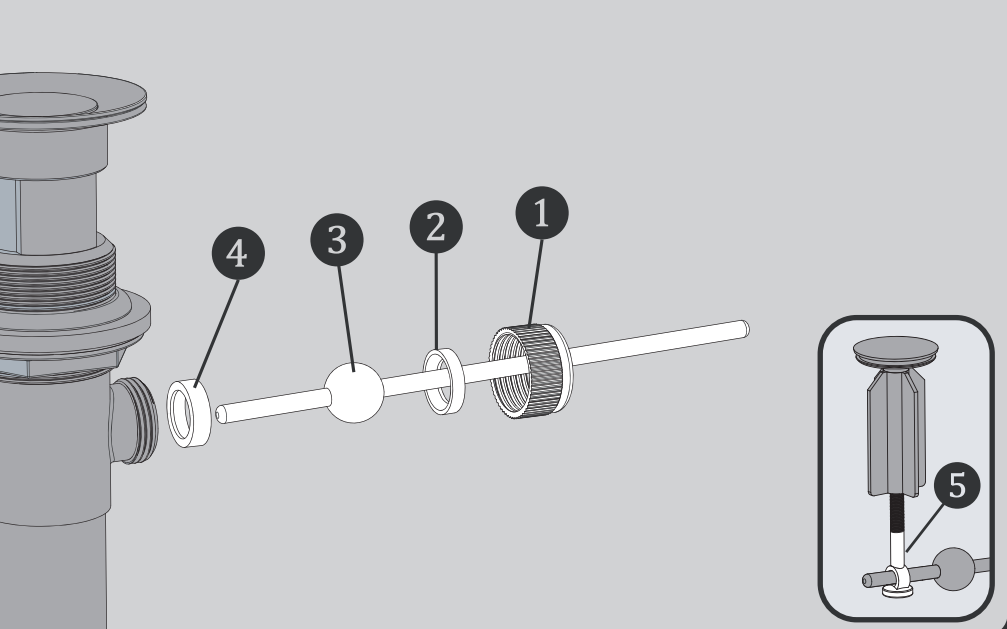
7 From beneath, insert Drain Assembly through drain hole in sink. Attach supplied Flange Washer (1) or plumber's putty to the underside of the Flange (2). Secure Flange (2) to the Drain Assembly. Align the Drain Assembly as shown below.



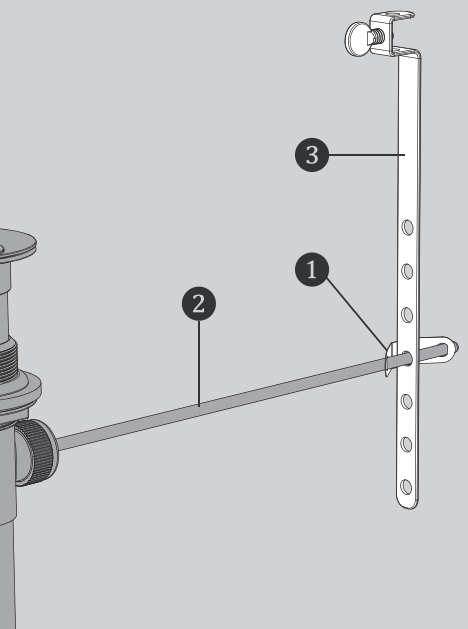
8 From beneath, secure Rubber Washer (1), Plastic Washer (2), and Mounting Nut (3). Wrench tighten.



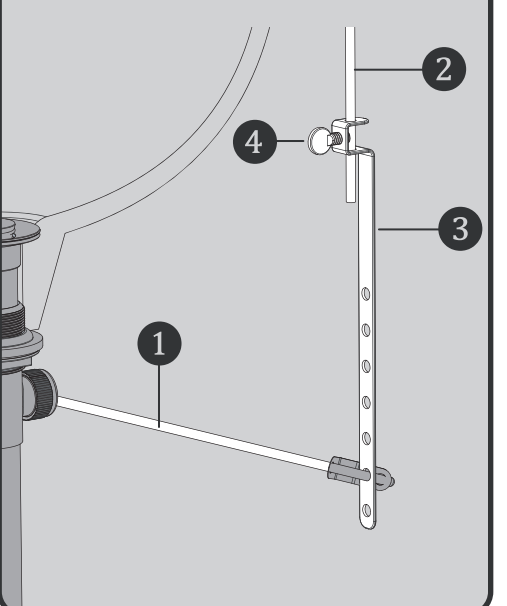
9 Remove Pivot Nut (1), from Drain Assembly. Install Outer Pivot Washer (2), and Pivot Rod (3). Ensure that Inner Pivot Washer (4) is retained in Drain Assembly. Insert Pivot Rod into Drain Assembly and install Stopper (5) as non-removable. Secure Pivot Rod to Drain Assembly by tightening Pivot Nut (1).



10 Place one end of Spring Clip (1), on Pivot Rod (2). Insert Pivot Rod (2) through a hole in the Lift Rod Strap (3). Secure with Spring Clip (1).



11 Place Drain into the open position by pressing downward on the Pivot Rod (1). Insert Lift Rod (2) into Strap (3). Adjust height of Lift Rod (2), and tighten Thumb Screw (4).



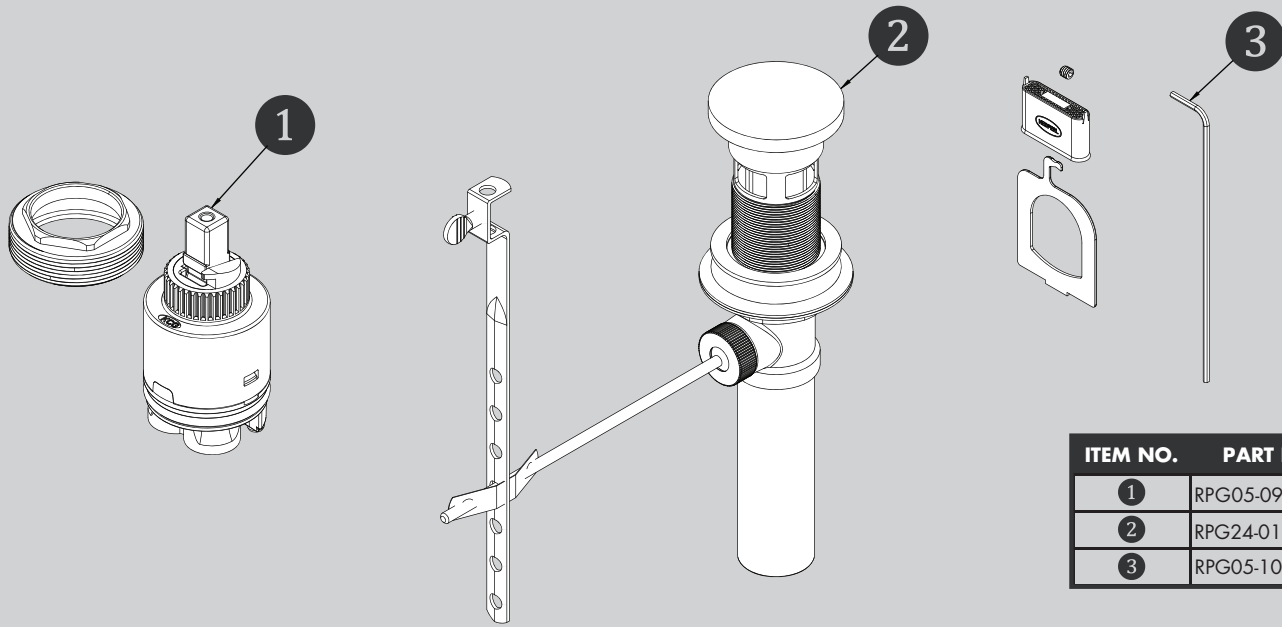
12 Additional adjustments can be made to ensure a proper seal between the Drain Stopper **1** and Drain Assembly. Remove Pivot Nut **2**, from Drain Assembly. Slide out Pivot Rod Assembly **3**. Remove Drain Stopper **1**. Additional adjustments can be made by either threading in or out the eyelet portion of the Drain Stopper **1**.

13 Turn ON Water Supplies and check for leaks. Activate faucet and flush both HOT and COLD water for 1 minute.

14 After flushing is complete, turn OFF the water and install Aerator (1) to Spout and secure into position using the included Hex Wrench.
 • Align threaded hole of Aerator towards the rear as shown. Lock Aerator in place by tightening Aerator Set Screw (2) with the included Hex Key.

SB-2503 REPAIR PARTS

SPEAKMAN®



ITEM NO.	PART NO.	DESCRIPTION
1	RPG05-0986	CARTRIDGE AND RETAINING NUT REPAIR GROUP
2	RPG24-0134-XX	DRAIN REPAIR GROUP (XX = FINISH)
3	RPG05-106849	AERATOR REPAIR GROUP

SB-2503 ROUGH-IN DIAGRAM

SPEAKMAN®

NOTES:

COMPLIANCE:

ASME A112.18.1
 CSA B125.A
 NSF61/372
 WATERSENSE

FLOW DATA:

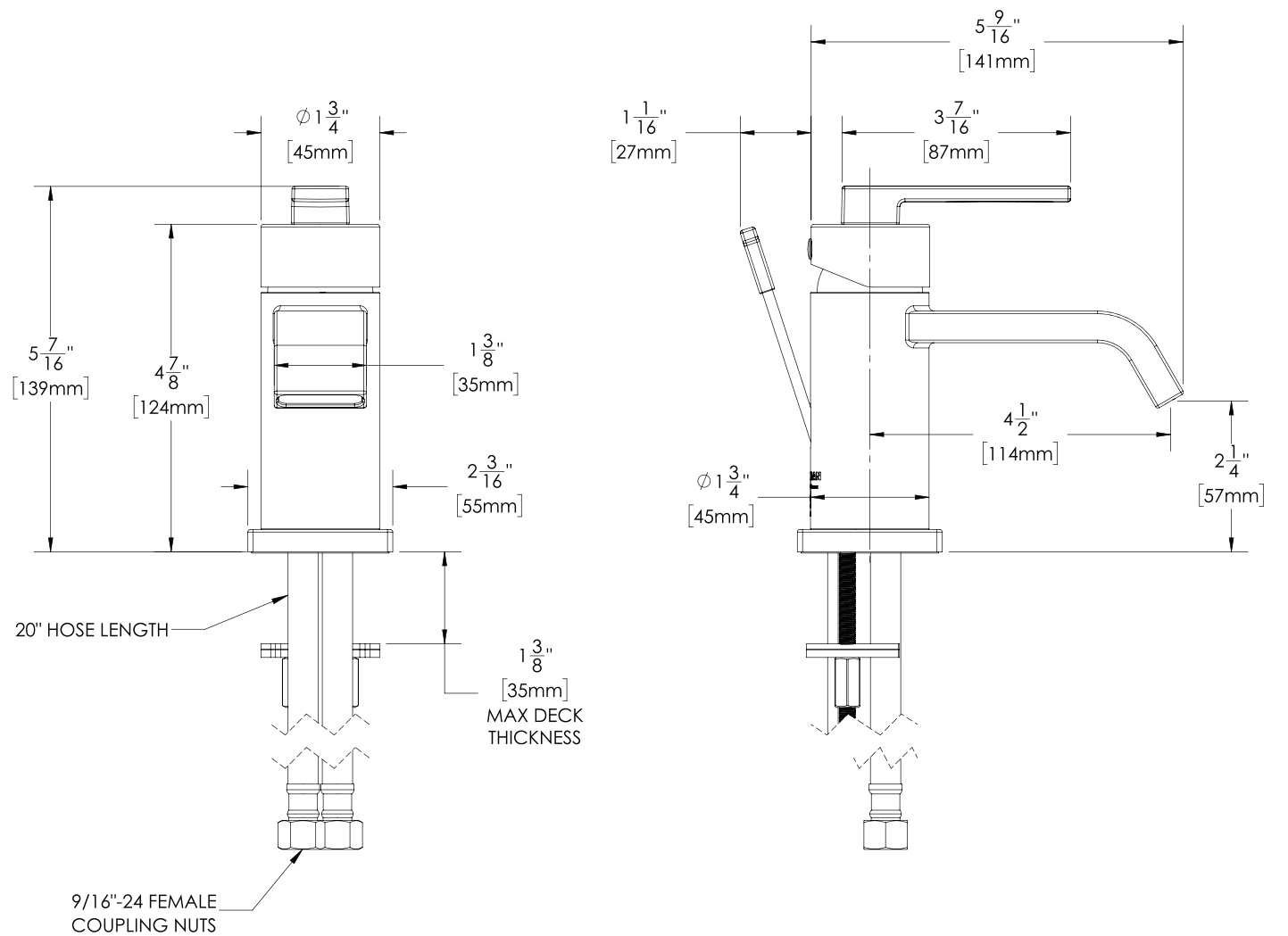
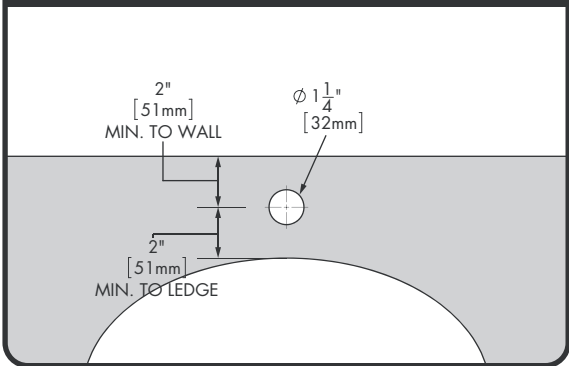
1.2 gpm (4.5 L/min)

CONNECTIONS:

Supply Connection:
 9/16"-24 (3/8 compression)

Contractor to supply necessary inlet connections.

LAVATORY ROUGH-IN



DIMENSIONS SUBJECT TO CHANGE WITHOUT NOTICE.