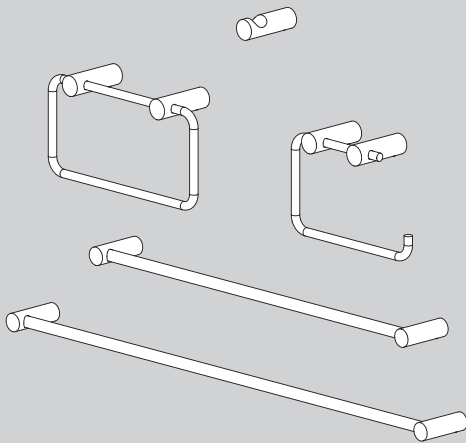


INSTRUCTIONS FOR MODELS

SA-3104 HAND TOWEL BAR
 SA-3106 ROBE HOOK
 SA-3107 TOWEL BAR
 SA-3107-18 18" TOWEL BAR
 SA-3110 PAPER HOLDER



NEED HELP?

For additional assistance or service please contact:

SPEAKMAN®

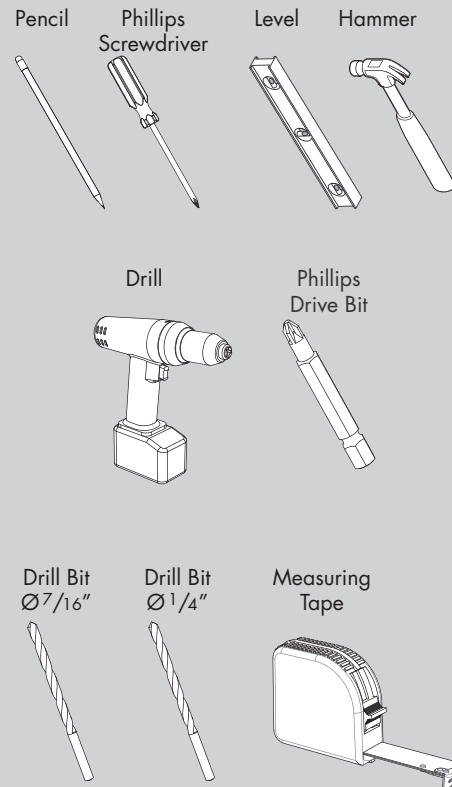
800-537-2107

customerservice@speakman.com

www.speakman.com

92-SA-3100-01

TOOLS AND SUPPLIES



IMPORTANT



- Do not over-tighten any connections or damage may occur.
- Be sure to read instructions thoroughly before beginning installation.
- This installation manual covers several models. While the appearance of your model may vary, the installation steps required are the same as shown in this manual.
- This item is NOT designed for use as a grab bar. Do not mount in locations where product is likely to be used as a grab bar.

SAFETY TIPS

- Be sure to wear eye protection.
- If mounting to a tile surface, ensure you acquire appropriate mounting hardware capable of supporting the accessory in use. Follow the instructions included with the manufacturer's mounting hardware.

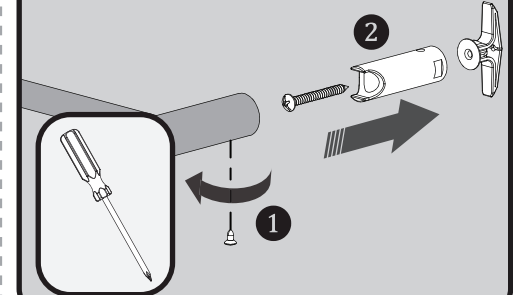
MAINTENANCE

Your new Speakman Product is designed for years of trouble-free performance. Keep it looking new by cleaning it periodically with a soft cloth. The use of harsh chemicals and abrasives on any of the Speakman custom finish products may damage the finish and void the product warranty. Please be sure to only use approved cleaners. Please contact Speakman for any clarification of acceptable cleaners.

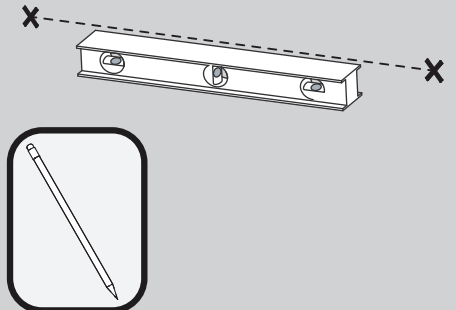
WARRANTY

Warranty information can be found at:
www.speakman.com

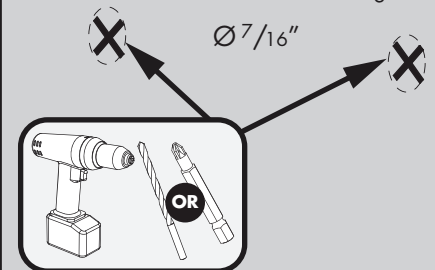
- 1 If Accessory comes pre-assembled, remove the Set Screw(s) (1) on the bottom of the Mounting Bracket(s) using a Phillips Head Screw Driver. Remove the Toggle Anchor(s) and Mounting Hardware (2).



- 2 At the selected height, mark center point of mounting locations onto wall referencing the rough in diagram.

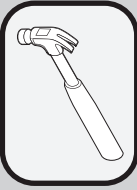
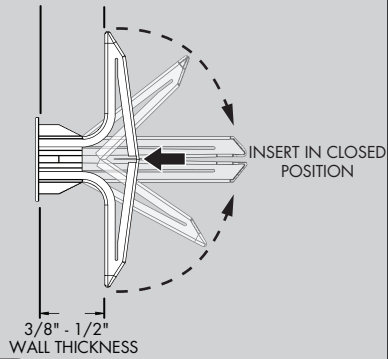


- 3 If mounting to dry wall, use the Plastic Toggle Anchors (included). Drill guide holes at marked locations using a Drill equipped with a Ø7/16" bit. **NOTE:** If mounting to tile, acquire appropriate hardware and follow manufacturer's installation guidelines.



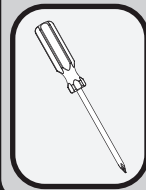
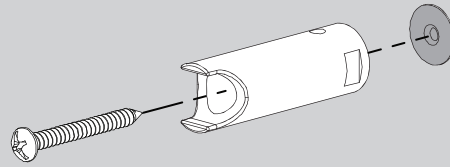
4

- Fold the Plastic Toggle Anchor by pushing in the middle so that it collapses.
- Insert Plastic Toggle Anchor into drilled holes and press/tap into place until the head is flush to the wall surface.



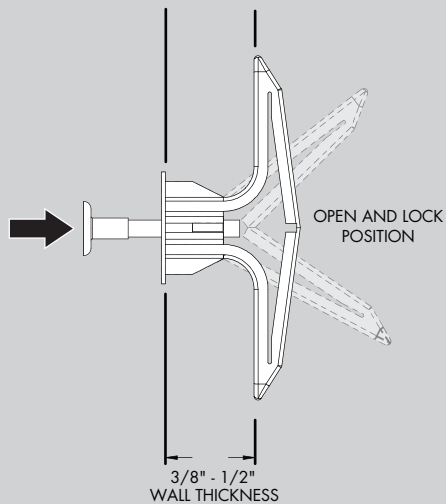
6

- Secure the Mounting Bracket(s) with the Mounting Screw(s) provided. Verify that the Mounting Bracket(s) are aligned vertically as shown with the Set Screw hole(s) positioned on the top and bottom.



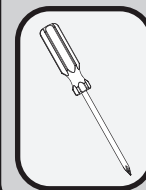
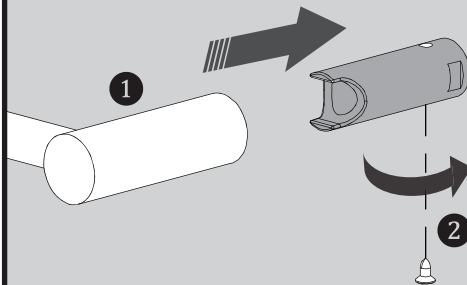
5

- Insert Pin and press in completely to pop open the Plastic Toggle Anchor behind the wall.



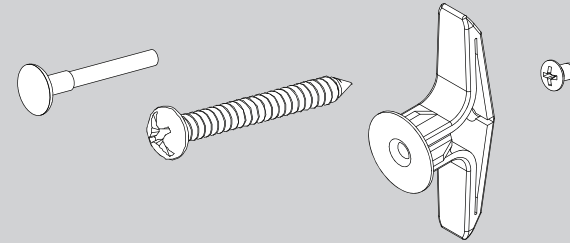
7

- Place Accessory (1) over Mounting Bracket. Align the Set Screw Holes vertically as shown. Secure the Set Screw(s) with a Philips Head Screw Driver (2).



SA-31XX REPAIR PARTS

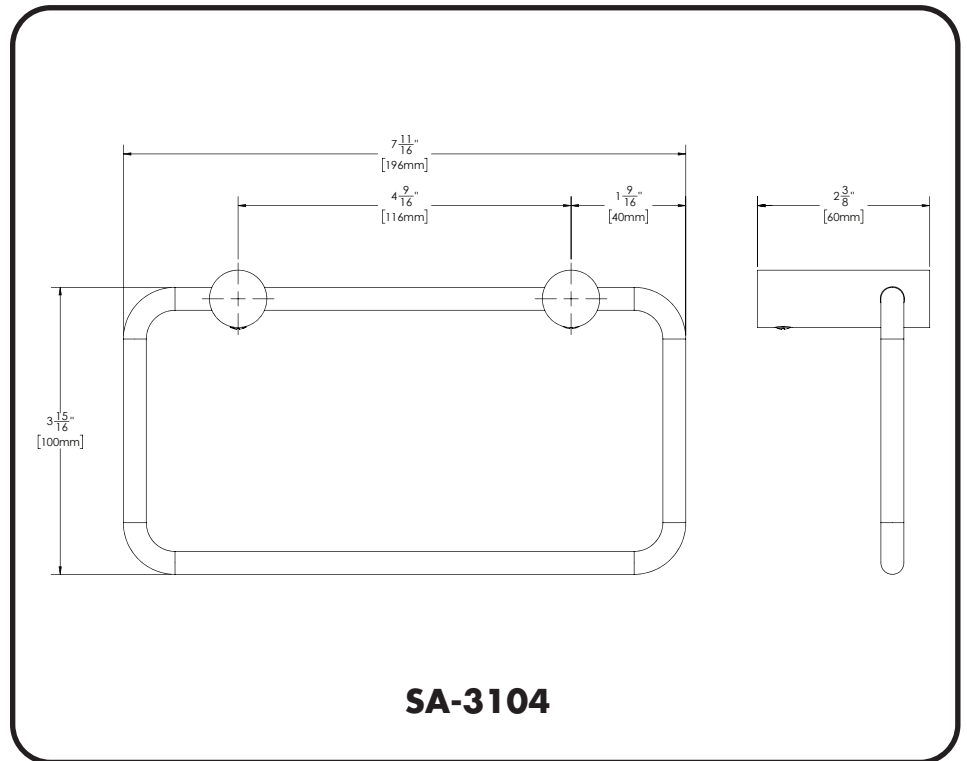
SPEAKMAN®



ITEM NO.	PART NO.	DESCRIPTION
1	RPG05-114681	MOUNTING HARDWARE

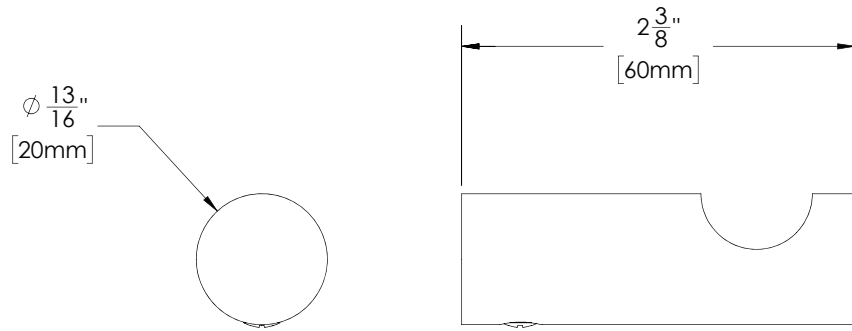
ROUGH-IN DIAGRAMS

SPEAKMAN®

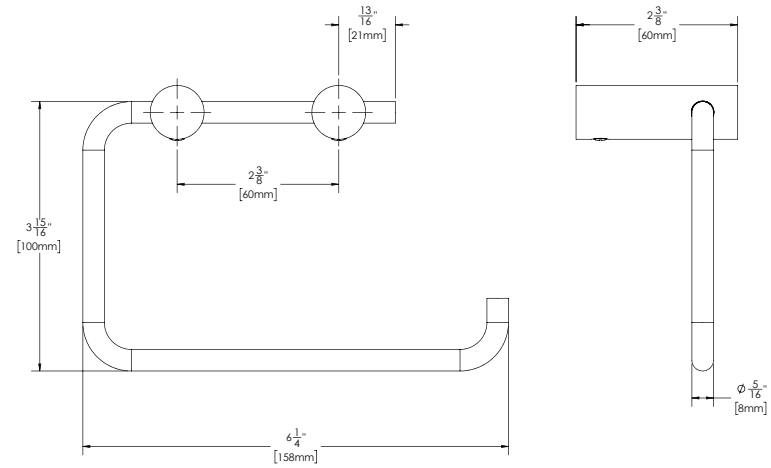


SA-3104

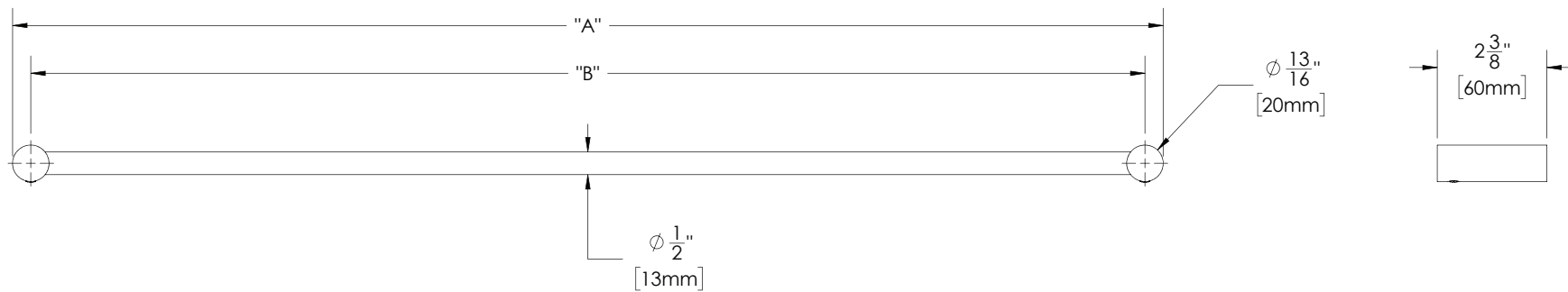
DIMENSIONS SUBJECT TO CHANGE WITHOUT NOTICE.



SA-3106



SA-3110



MODEL No.	"A"	"B"
SA-3107	$24 \frac{13}{16}$ [630mm]	24" [610mm]
SA-3107-18	$18 \frac{3}{4}$ [477mm]	18" [457mm]

SA-3107
SA-3107-18