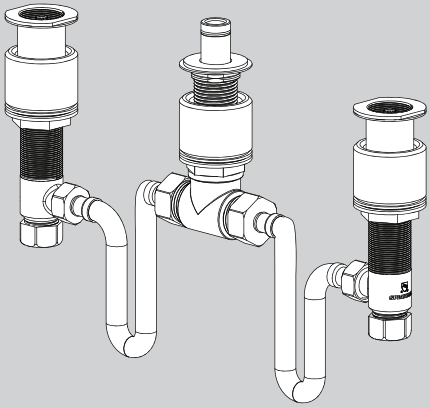
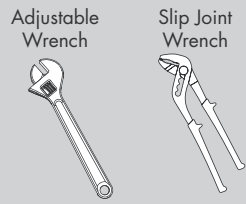


INSTRUCTIONS FOR MODELS

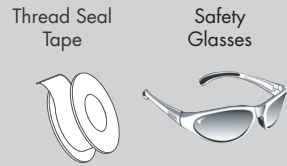
CPV-SBC



TOOLS AND SUPPLIES



HELPFUL TOOLS & SUPPLIES:



NEED HELP?

For additional assistance or service please contact:

SPEAKMAN®

800-537-2107

customerservice@speakman.com

www.speakman.com

92-CPV-SBC-01

IMPORTANT

- Do not over-tighten any connections or damage may occur.
- Be sure to read instructions thoroughly before beginning installation.
- This system has an operating range of 20-80 psi.

SAFETY TIPS

Cover your drain to prevent loss of parts. Be sure to wear eye protection while cutting pipe.

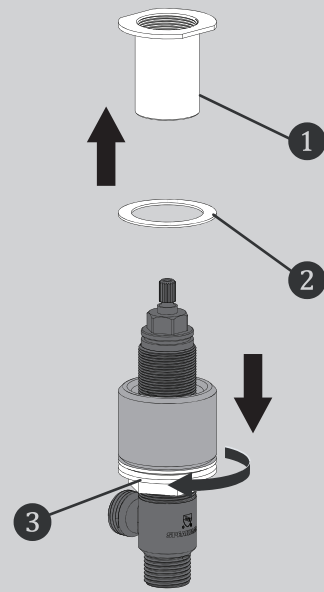
MAINTENANCE

Your new Speakman Product is designed for years of trouble-free performance. Keep it looking new by cleaning it periodically with a soft cloth. The use of harsh chemicals and abrasives on any of the Speakman custom finish products may damage the finish and void the product warranty. Please be sure to only use approved cleaners. Please contact Speakman for any clarification of acceptable cleaners.

WARRANTY

Warranty information can be found at: www.speakman.com

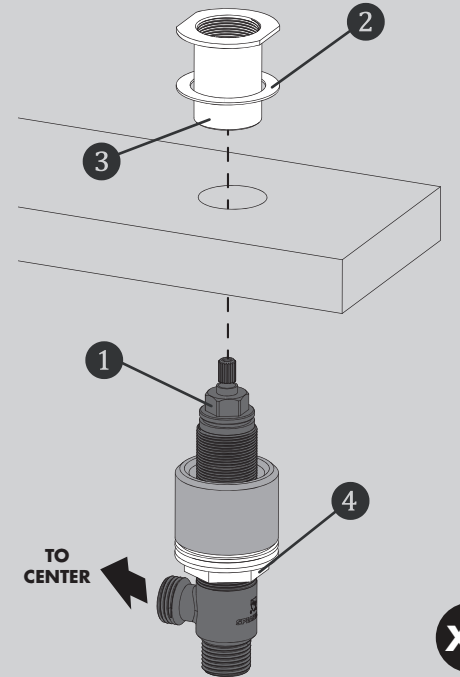
1 The "COLD" and "HOT" Endbody Assemblies are clearly marked. Remove Valve Support (1) and Rubber Washer (2) from the Cold Side Endbody. Thread Endbody Mounting Nut (3) all the way down the Endbody. Repeat this for the Hot Side Valve Body.



X2

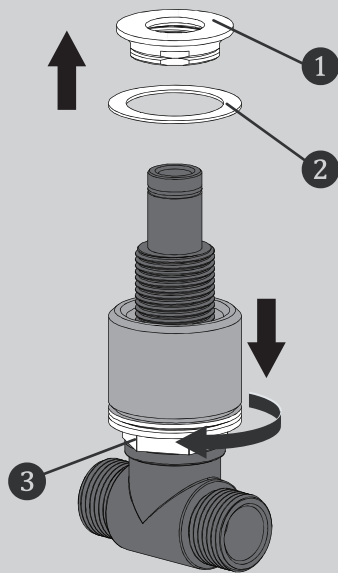
2

- From below, insert COLD Endbody Assembly (1) up through hole in counter top. From above, place Rubber Washer (2) over Endbody Assembly (1). Thread Valve Support (3) on to Endbody Assembly and Hand Tighten into position.
- Align Endbody (1) so the Outlet is facing towards the center as shown below. From below Hand tighten Mounting Nut (4) into position.
- Repeat for HOT Endbody Assembly.



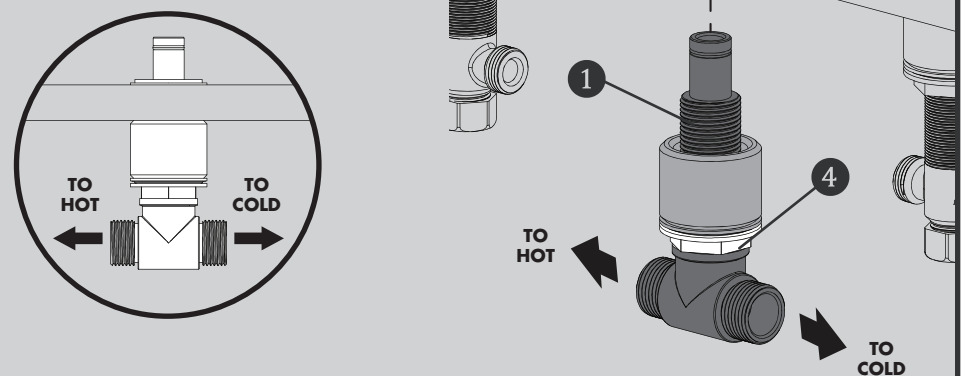
X2

3 Remove Top Nut (1) and Rubber Washer (2) from the Spout Assembly. Thread Endbody Mounting Nut (3) all the way down the Endbody.

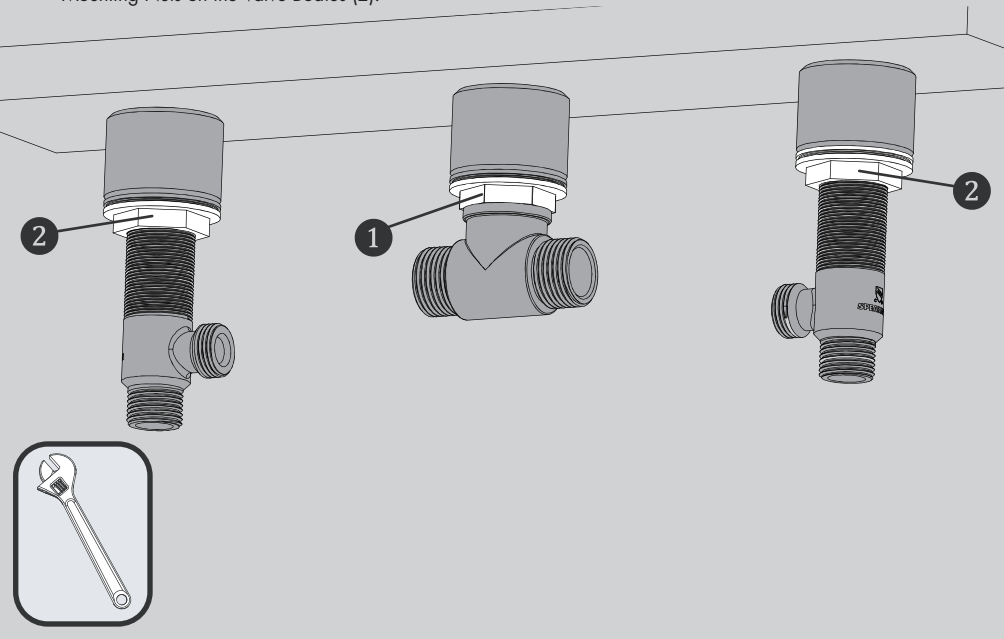


4

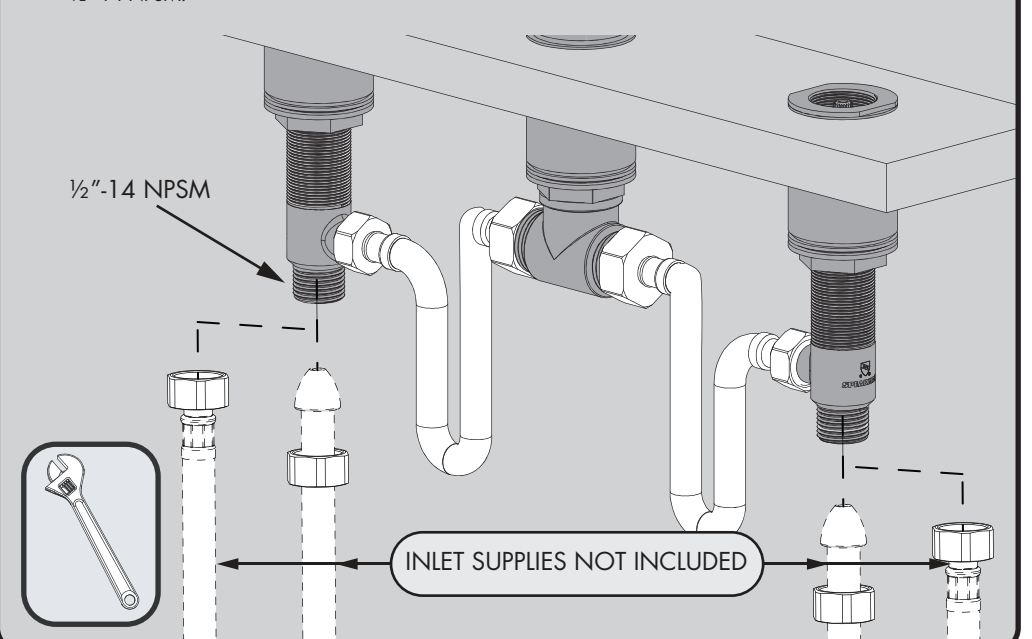
- From below, insert the Lower Spout Assembly (1) up through hole in counter top. From above, place Rubber Washer (2) over Assembly (1). Thread Top Nut (3) on to Endbody Assembly and Hand Tighten into position.
- Align Lower Spout Assembly so the Tee Inlets are aligned to the Valve Endbody Outlets.
- From below, hand tighten Mounting Nut (4) while maintaining alignment of Tee Inlets.

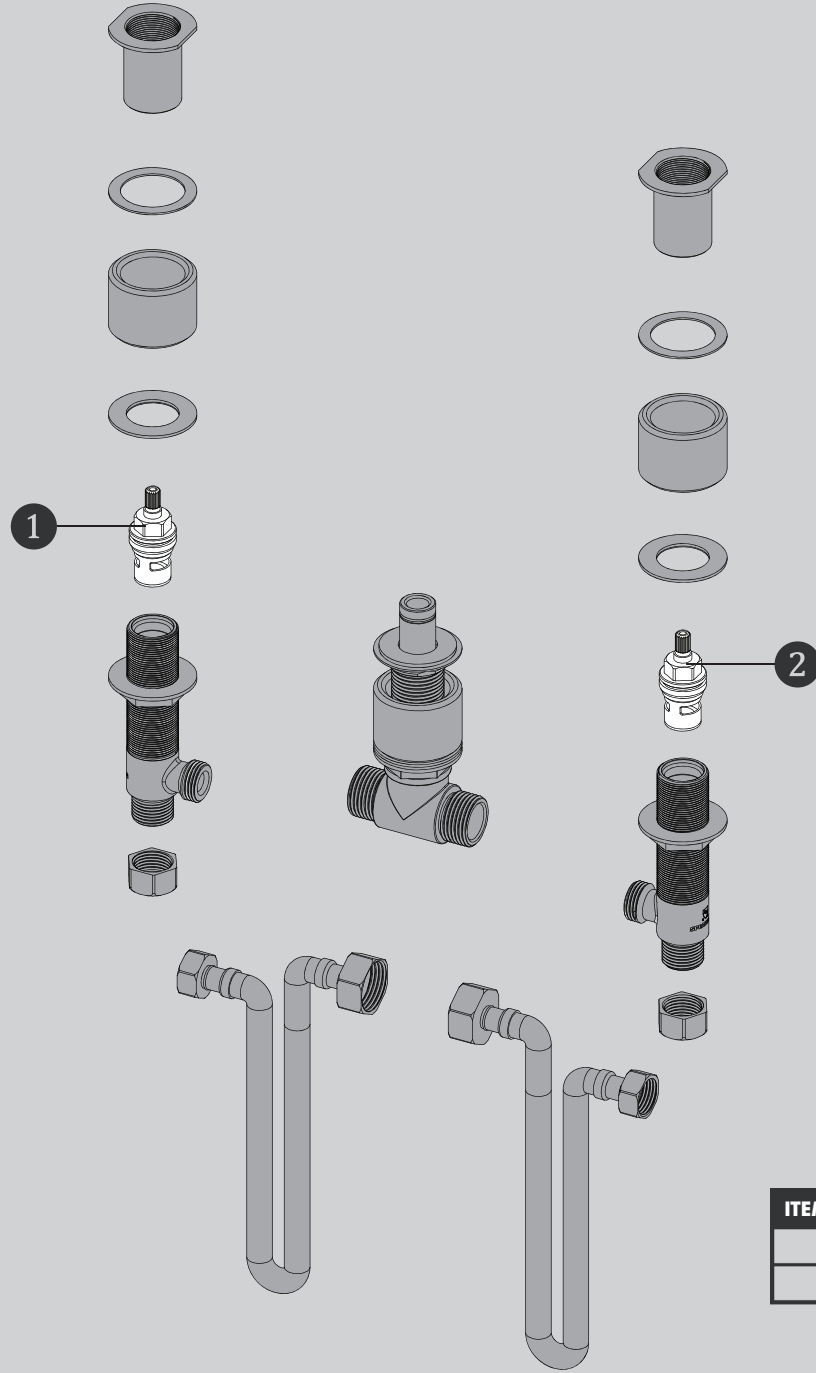


5 Install SB-3131 Lucid 3 Piece Bath Trim as per Instructions (not included). While maintaining the proper alignment, wrench Tighten Spout Mounting Nut (1). Then Wrench Tighten Mounting Nuts on the Valve Bodies (2).



6 From below, install the included Hoses between the Endbody outlets and the Inlet Tee of the Spout. Wrench Tighten. Install Inlet Hoses (not provided) to the Valve Bodies. Wrench Tighten. Inlet connections are 1/2"-14 NPSM.





ITEM NO.	PART NO.	DESCRIPTION
1	RPG05-114665	REPAIR GROUP, HOT CARTRIDGE
2	RPG05-151717	REPAIR GROUP, COLD CARTRIDGE

CPV-SBC ROUGH-IN DIAGRAM

NOTES:

COMPLIANCE:

ASME A112.18.1/CSA B125.1

CONNECTIONS:

For flexible hose connection
 Hot Supply- 1/2" - 14 NPSM
 Cold Supply- 1/2" - 14 NPSM

Contractor to supply necessary connections to the inlets of the end bodies.

ROUGH-IN

