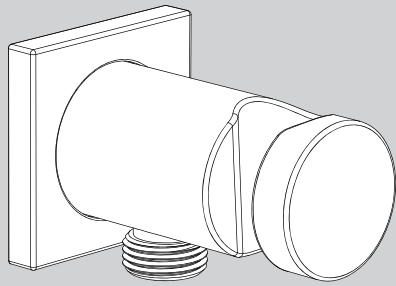


# INSTRUCTIONS FOR MODELS

## VS-159

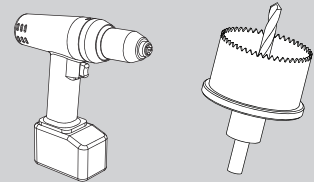


# TOOLS AND SUPPLIES

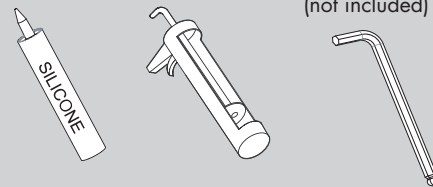
Thread Seal Tape      2mm Hex Key Wrench (included)



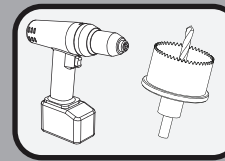
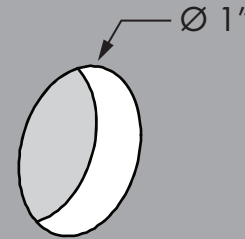
Drill      1" Hole Saw



Silicone      Caulk Gun      3/8" Hex Key Wrench (not included)

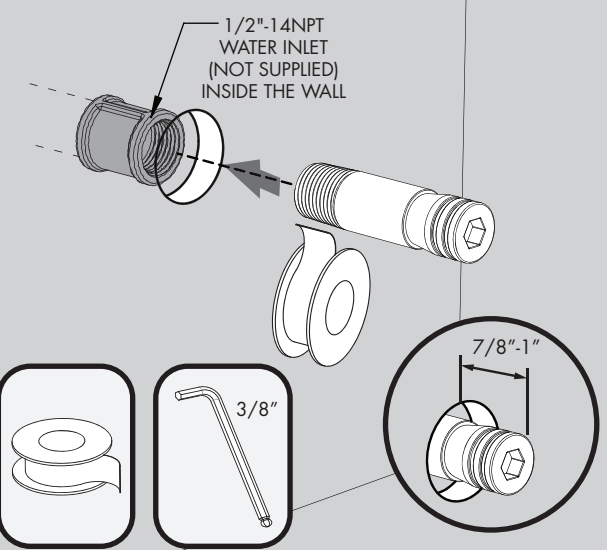


**1** Drill 1" diameter hole in wall.



**2** Apply Thread Seal Tape (not included) around Adapter Pipe threads then screw Adapter Pipe into existing Supply Pipe Coupling behind the wall. Tighten with 3/8" Hex Key (not included).

- Adapter pipe should be 7/8" to 1" from the finished wall.
- Turn on water supplies and check for leaks.



## IMPORTANT

- Do not over-tighten any connections or damage may occur.
- Be sure to read instructions thoroughly before beginning installation.

## SAFETY TIPS

Cover your drain to prevent loss of parts. Be sure to wear eye protection while cutting pipe.

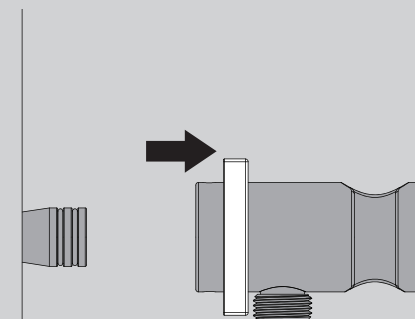
## MAINTENANCE

Your new Speakman product is designed for years of trouble-free performance. Keep it looking new by cleaning it periodically with a soft cloth. Avoid abrasive cleaners, steel wool, and harsh chemicals as these will dull the finish and void your warranty.

## WARRANTY

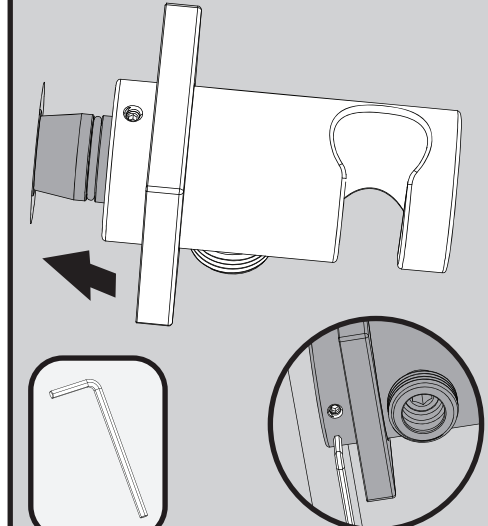
Warranty information can be found at: [www.speakman.com](http://www.speakman.com)

**3** Slide Escutcheon over the Supply Elbow as far back as it will go.



**4** Slide Supply Elbow over the Pipe Adapter. Center the Outlet port on the wall. Outlet port should be pointing downward when complete.

- Tighten Set Screws (both top and bottom) with 2mm Hex Key Wrench included.



## NEED HELP?

For additional assistance or service please contact:

**SPEAKMAN®**

800-537-2107

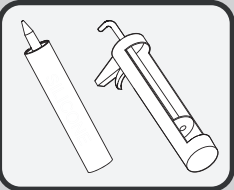
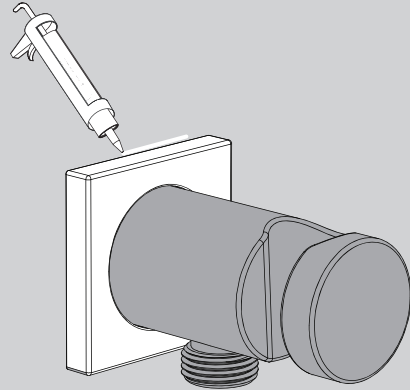
customerservice@speakman.com

[www.speakman.com](http://www.speakman.com)

92-VS-159-01

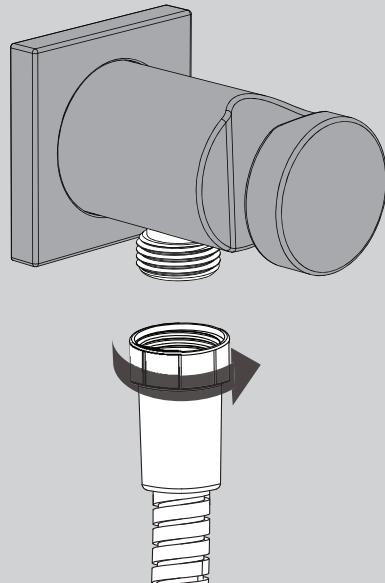
5

Slide Escutcheon against the wall.  
Optional: Apply silicone where the flange meets the wall.



6

Screw Shower hose into Adapter. Turn on water supplies and check for leaks.



## VS-159 ROUGH-IN DIAGRAM

**SPEAKMAN®**

### NOTES:

#### COMPLIANCE:

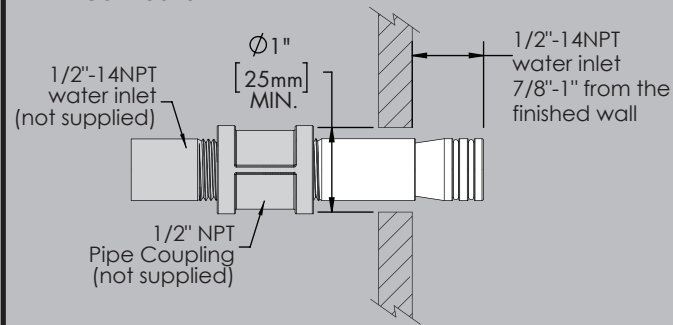
ASME A112.18.1/CSA B 125.1

#### FLOW:

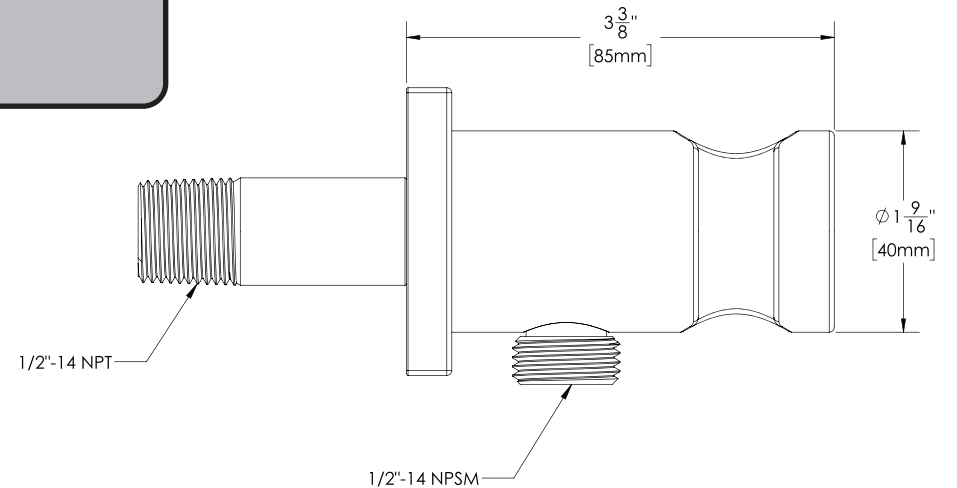
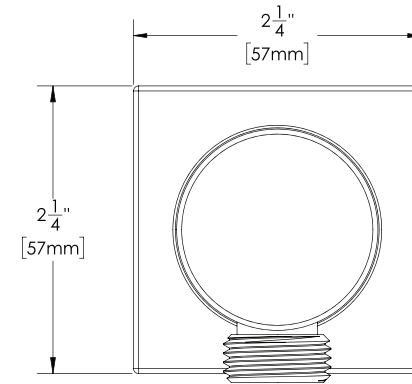
Flow Rate: Full Flow

#### CONNECTIONS:

Supply Connection:  
1/2"-14NPT Male Threaded  
Connection



Contractor to supply necessary inlet connections



DIMENSIONS SUBJECT TO CHANGE WITHOUT NOTICE.