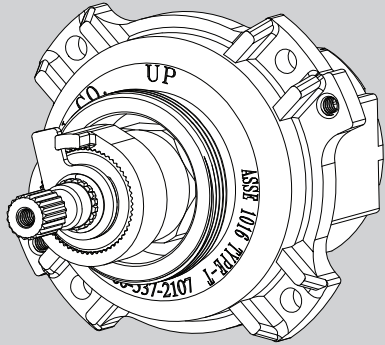


INSTRUCTIONS FOR MODELS


RPG05-109305



NEED HELP?

For additional assistance or service please contact:

SPEAKMAN®

 800-537-2107

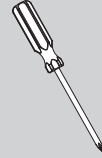
 customerservice@speakman.com

 www.speakman.com

92-RPG05-109305-01

TOOLS AND SUPPLIES

Phillips
Screwdriver



IMPORTANT



- Be sure to read instructions thoroughly before beginning installation.
- Be sure to have properly adjusted the Temperature Limiting Stop (TLS) as outlined in this Installation Manual.
- Inspect all connections of the Valve after installation of this repair part.
- The Valve installed with this repair part typically has an operating range of 20-80 Psi.
- The Valve installed with this repair part is designed to be used in conjunction with a shower-head rated at 1.75 gpm (6.8 L/min) or higher flow rate.
- **NOTE:** This installation manual covers the steps to replace the Old Cartridge in several models of the Shower Valves. While the appearance of your valve may differ from those shown, the installation method is the same.

SAFETY TIPS



Cover your drain to prevent loss of parts. Be sure to wear eye protection while cutting pipe.

MAINTENANCE



Your Shower/Bath Valve is designed for years of trouble-free performance. Keep it looking new by cleaning it periodically with a soft cloth. The use of harsh chemicals and abrasives on any of the Speakman custom finish products may damage the finish and void the product warranty. Please be sure to only use approved cleaners. Please contact Speakman for any clarification of acceptable cleaners.

WARRANTY

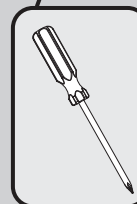
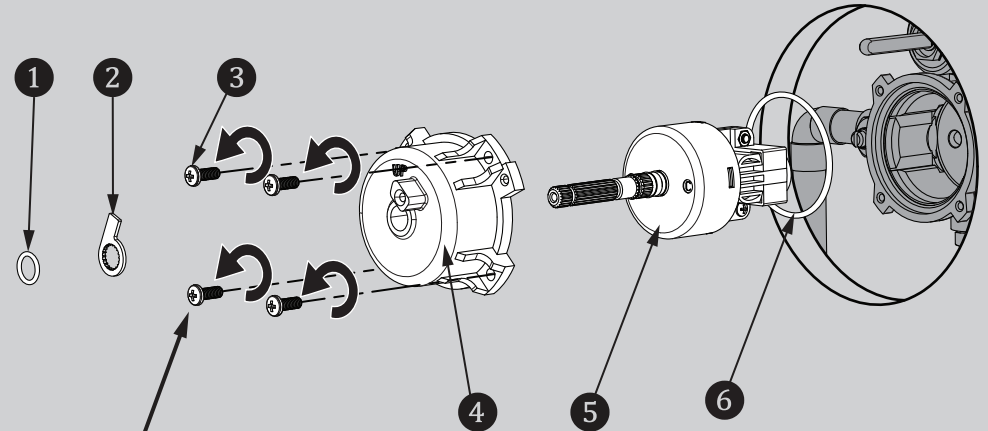


Warranty information can be found at:
www.speakman.com

1

Turn "OFF" water supplies. Remove the Trim (if any) accordingly and keep it aside to reinstall later. Remove the **OLD** Cartridge Assembly of the Shower Valve by following the steps below.

- Remove Spindle O-ring **1**, TLS Plate **2**, and four (4) Bonnet Screws **3**.
NOTE: Do not lose the four (4) Bonnet Screws as these will be used to install the new Cartridge Assembly Kit.
- Then remove Bonnet **4**, Cartridge Assembly **5**, and the O-ring **6** from Valve Body. Discard these three (3) items.



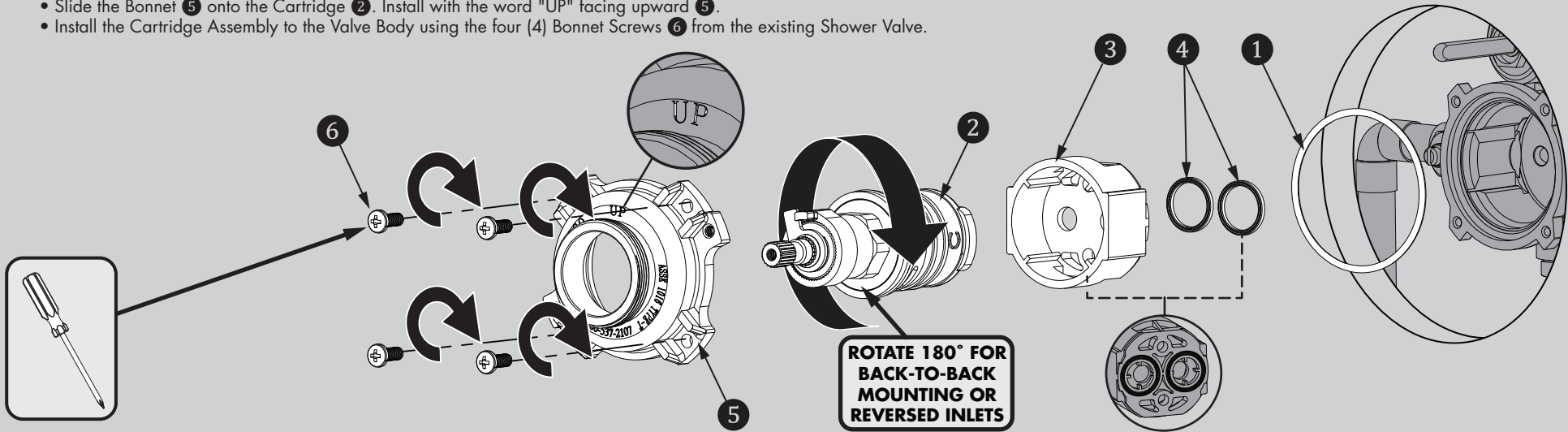
2

Install the **NEW** Cartridge Assembly Kit by following the steps below.

- Place the supplied Large O-Ring **1** into the Valve Body.
- Install the Cartridge Assembly **2** into the Adapter **3**.

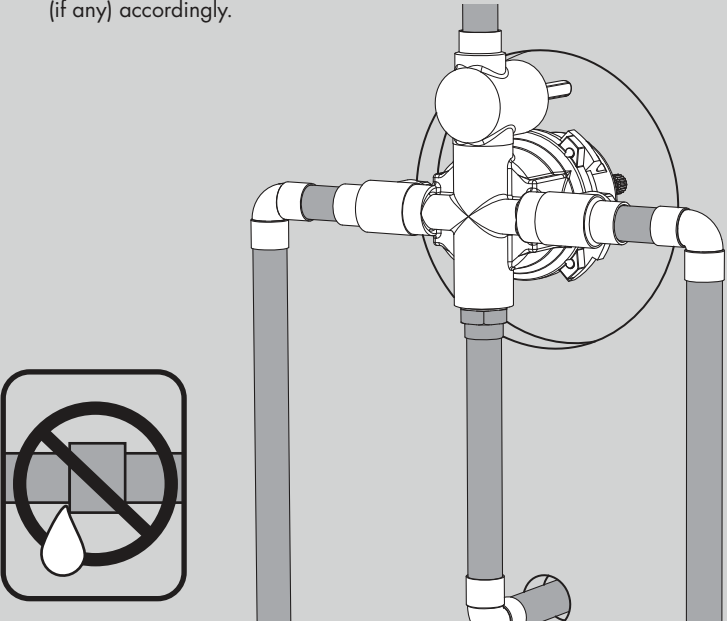
NOTE: If you are performing a **Back-to-Back Installation** or have **Reversed Inlet** supplies, rotate the Cartridge **2** 180°. The "H" marking on the Cartridge cover should now be on the right hand side.

- Verify the two (2) Lower Seals **4** supplied with this Kit are fully seated within the Adapter **3**.
- Slide the Bonnet **5** onto the Cartridge **2**. Install with the word "UP" facing upward **5**.
- Install the Cartridge Assembly to the Valve Body using the four (4) Bonnet Screws **6** from the existing Shower Valve.



3

Ensure the Valve is in the "OFF" position. Turn "ON" water supplies and check all connections for leaks. Proceed to **Step 4** for any temperature limit adjustment prior to reinstalling the Trim (if any) accordingly.

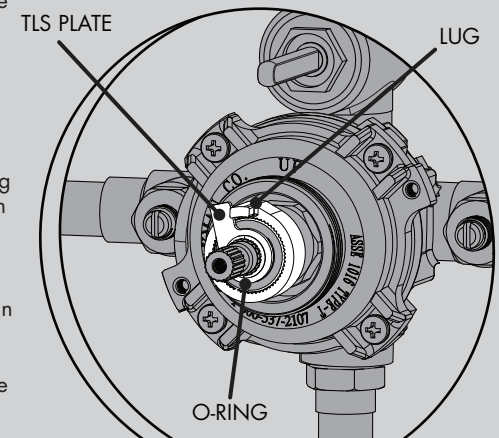


4

TEMPERATURE LIMIT ADJUSTMENT

The maximum outlet temperature setting adjustment [Temperature Limit Stop (TLS)] of the Valve has been factory set at 110° F. To adjust the limit of the maximum outlet temperature the Valve delivers, adjust the Valve's temperature limit stop (TLS) Plate.

- Slip the retaining O-ring and the TLS plate towards the end of the spindle.
- With the water supplies "On", rotate the valve spindle clockwise to the maximum desired hot water temperature.
- Position the TLS plate so it contacts the Lug and therefore restricts the clockwise rotation of the spindle.
- Slip the retaining O-ring back into the groove of the spindle to hold the TLS plate in place.
- Rotate the spindle counter-clockwise to the "Off" position.



NOTE: A thermometer can be held at the Valve outlet to aid in either checking the existing factory setting or reaching the desired outlet temperature.