

## Classic AC Sensor Faucet

### MODELS:

---

- SF-8800: AC Sensor Faucet
- SF-8800-TMV: Classic AC Sensor Faucet w/  
Thermostatic Mixing Valve

### FEATURES:

---

- Brass construction with polished chrome finish
- Sensor eye at base of faucet
- Plug-in AC powered (plug included)
- Low Arc spout
- 60 second flow time out feature
- 9/16"-24 UNF supply connection
- Vandal-resistant 0.5 GPM (1.89 L/min) flow control

### OPTION:

---

- TMV: Thermostatic Mixing Valve (A-TMV)

### ADD-ONS:

---

- A-SF-GBLFE: alternate flow aerator group  
(1.5 GPM, 1.5 GPM laminar and 1.2 GPM)
- SF-4DECK: 4 in. deck plate
- SF-8DECK: 8 in. deck plate

### STANDARDS:

---

- ASME A112.18.1/CSA B125.1 certified
- NSF/ANSI 61 certified
- NSF/ANSI 372 certified
- ADA compliant

### WARRANTY:

---

Visit [www.speakman.com](http://www.speakman.com) for full product warranty information

- Limited Lifetime Warranty (residential)
- 5 Year Limited Warranty (commercial)



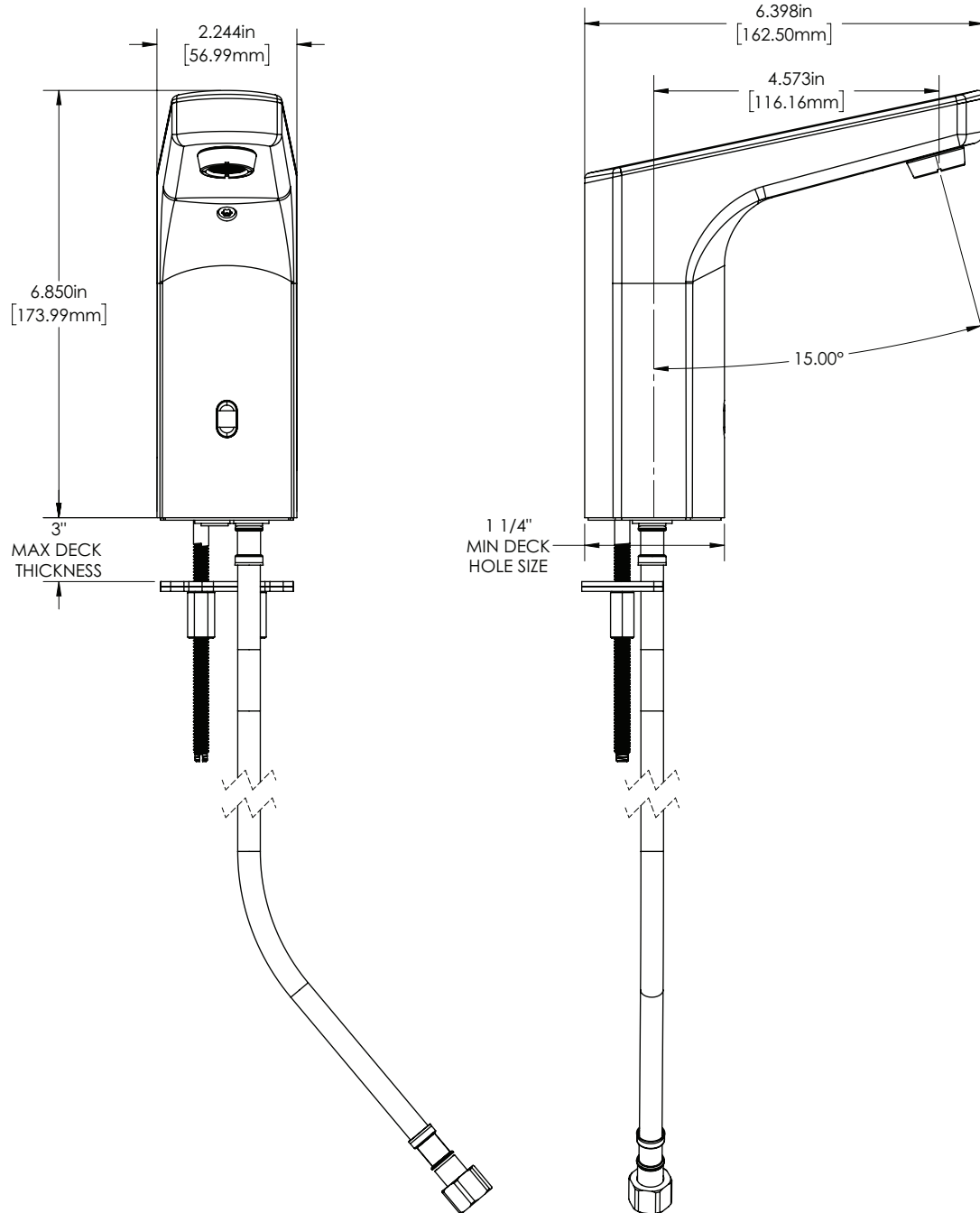
Information continues on next page

All dimensions are in inches (millimeters) unless otherwise specified and are subject to change without notice.

Architect/Engineer Approval Space:

P: 800-537-2107  
F: 800-977-2747  
W: WWW.SPEAKMAN.COM  
R: 02-NOVEMBER 2019

## Classic AC Sensor Faucet



All dimensions are in inches (millimeters) unless otherwise specified and are subject to change without notice.

Architect/Engineer Approval Space:

P: 800-537-2107  
F: 800-977-2747  
W: WWW.SPEAKMAN.COM  
R: 02-NOVEMBER 2019