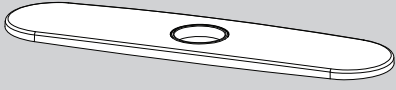


INSTRUCTIONS FOR MODELS

SB-DECK



NEED HELP?

For additional assistance or service please contact:

SPEAKMAN®

800-537-2107

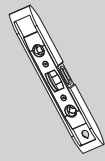
customerservice@speakman.com

www.speakman.com

92-SB-DECK-01

TOOLS AND SUPPLIES

Level



HELPFUL TOOLS & SUPPLIES:

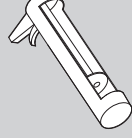
Plumber's Putty



Silicone Caulk



Caulk Gun



IMPORTANT



- Do not over-tighten any connections or damage may occur.
- Be sure to read instructions thoroughly before beginning installation.

SAFETY TIPS

Cover your drain to prevent loss of parts. Be sure to wear eye protection while cutting pipe.

MAINTENANCE

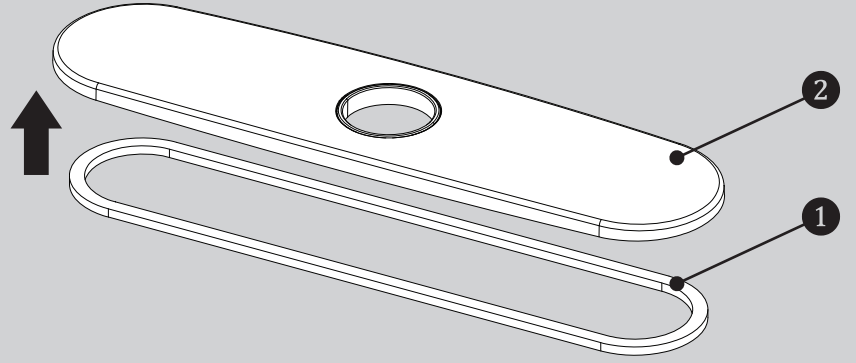
Your new Speakman Product is designed for years of trouble-free performance. Keep it looking new by cleaning it periodically with a soft cloth. The use of harsh chemicals and abrasives may damage the finish and void the product warranty. Please be sure to only use approved cleaners. Please contact Speakman for any clarification of acceptable cleaners.

WARRANTY

Warranty information can be found at: www.speakman.com

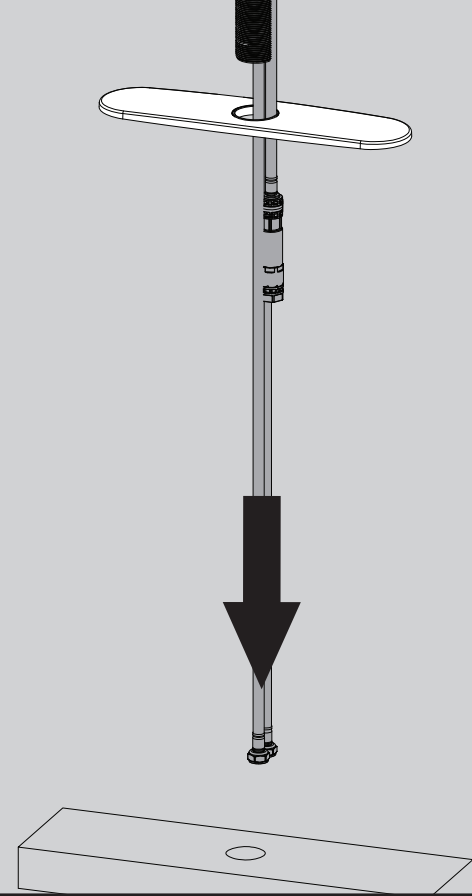
1

Ensure the Rubber Gasket (1) is properly seated within the Deck Plate (2).



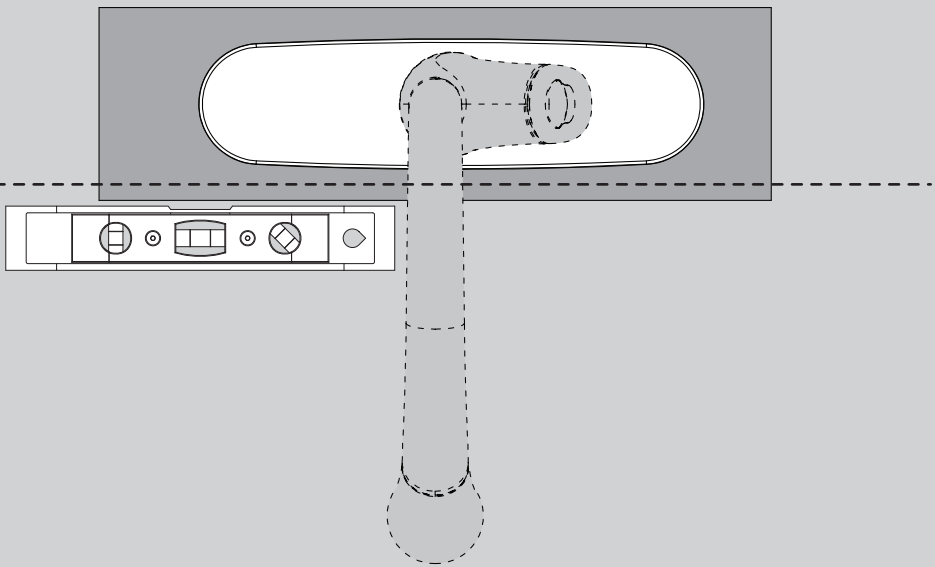
2

Place Hoses through Deck Plate first. Then place Hoses, one at a time, thru hole in mounting surface. Lower Faucet into position. Ensure a proper seal with the Rubber Gasket to the mounting surface.



3

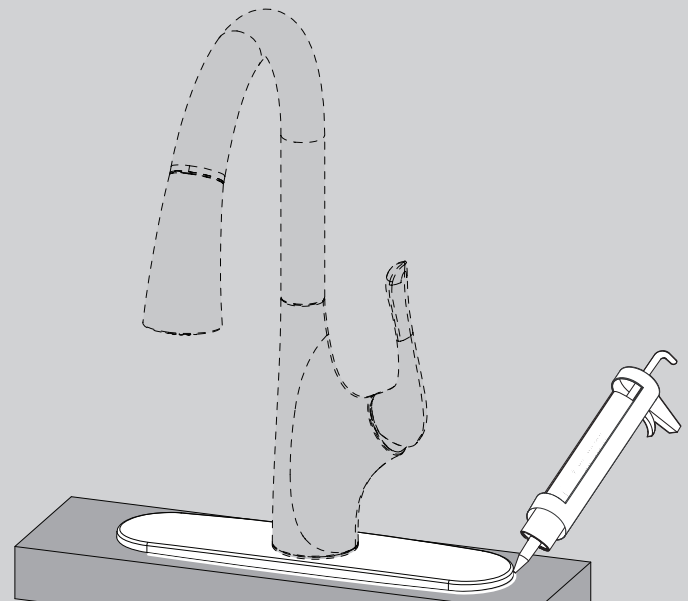
Before securing the Faucet from below, align the Deck Plate to the desired location. Position Spout and Deck Plate so that they are aligned horizontally. Then secure Faucet from below.



SHOWN WITH SPEAKMAN CHELSEA SB-2142 PULL DOWN KITCHEN FAUCET.

4

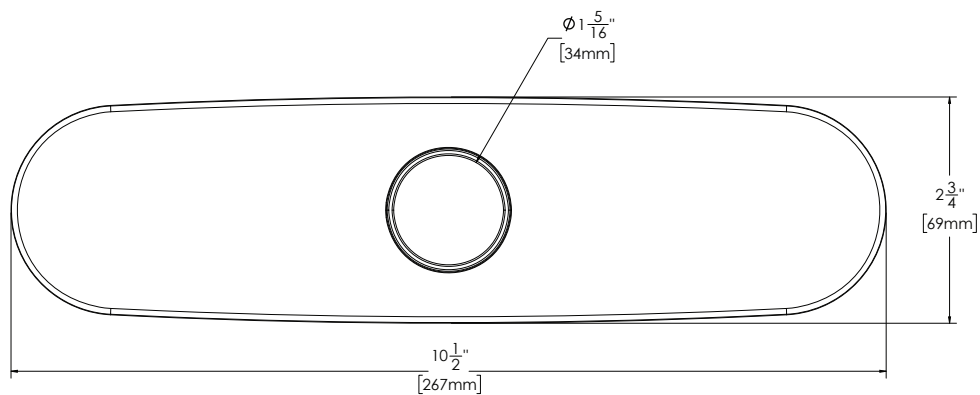
Use Plumber's Putty or Caulk to seal the edge of the Deck Plate. Continue the installation of your Faucet following the Faucet Installation Manual of your model.



SHOWN WITH SPEAKMAN CHELSEA SB-2142 PULL DOWN KITCHEN FAUCET.

SB-DECK ROUGH-IN DIAGRAM

SPEAKMAN®



ALL DIMENSIONS ARE IN INCHES (MILLIMETERS) UNLESS OTHERWISE SPECIFIED.
DIMENSIONS SUBJECT TO CHANGE WITHOUT NOTICE.