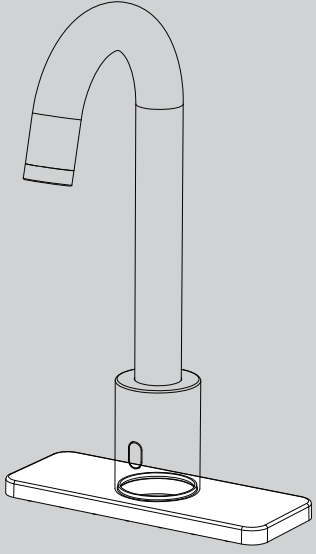


INSTRUCTIONS FOR MODELS

SF-4DECK
SF-8DECK



* MODEL SHOWN WITH SF-4DECK AND SPEAKMAN SF-9100. WHILE YOUR PRODUCTS MAY DIFFER IN APPEARANCE TO ITEM SHOWN, IT WILL INSTALL WITHIN THE SAME MANNER.

NEED HELP?

For additional assistance or service please contact:

SPEAKMAN®

800-537-2107

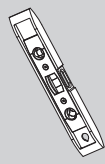
customerservice@speakman.com

www.speakman.com

92-SF-DECK-01

TOOLS AND SUPPLIES

Level



HELPFUL TOOLS & SUPPLIES:

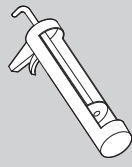
Plumber's Putty



Silicone Caulk



Caulk Gun



IMPORTANT

- Do not over-tighten any connections or damage may occur.
- Be sure to read instructions thoroughly before beginning installation.

SAFETY TIPS

Cover your drain to prevent loss of parts. Be sure to wear eye protection while cutting pipe.

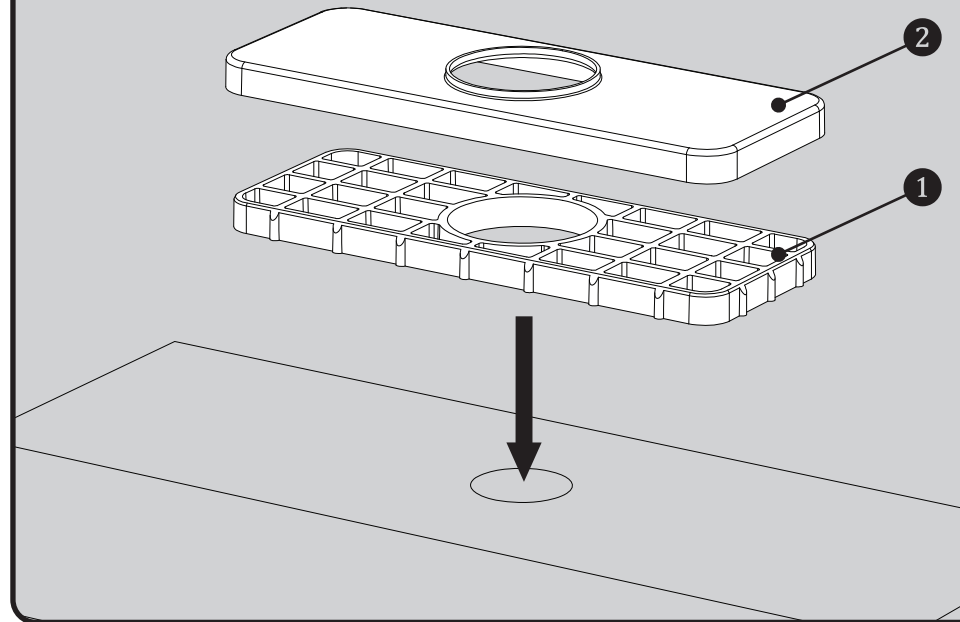
MAINTENANCE

Your new Speakman Product is designed for years of trouble-free performance. Keep it looking new by cleaning it periodically with a soft cloth. The use of harsh chemicals and abrasives may damage the finish and void the product warranty. Please be sure to only use approved cleaners. Please contact Speakman for any clarification of acceptable cleaners.

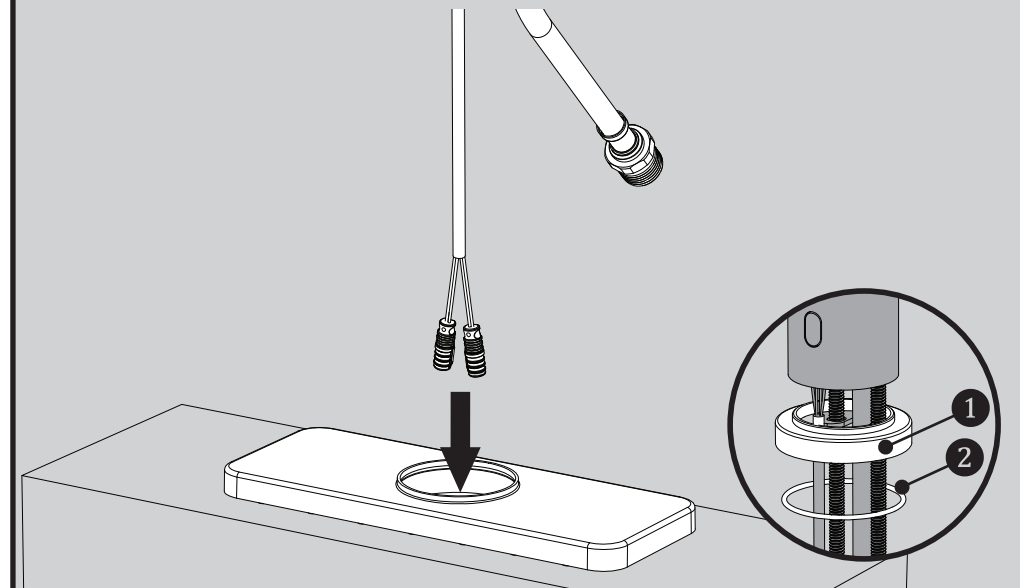
WARRANTY

Warranty information can be found at: www.speakman.com

1 Place the Rubber Gasket (1) and the Deck Plate (2) onto the desired mounting location.

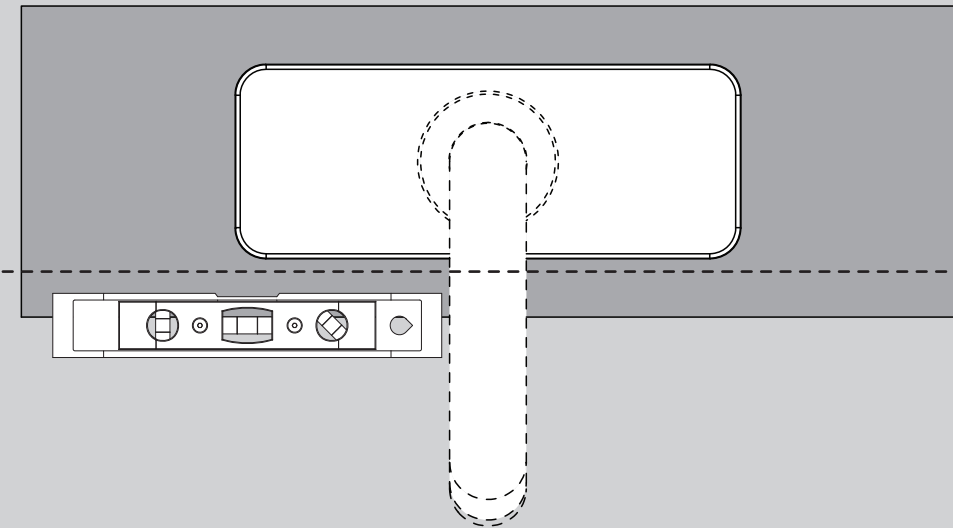


2 Place Hose and Sensor Wire carefully, one at a time, thru hole in deck plate and mounting surface. Lower Faucet into position.



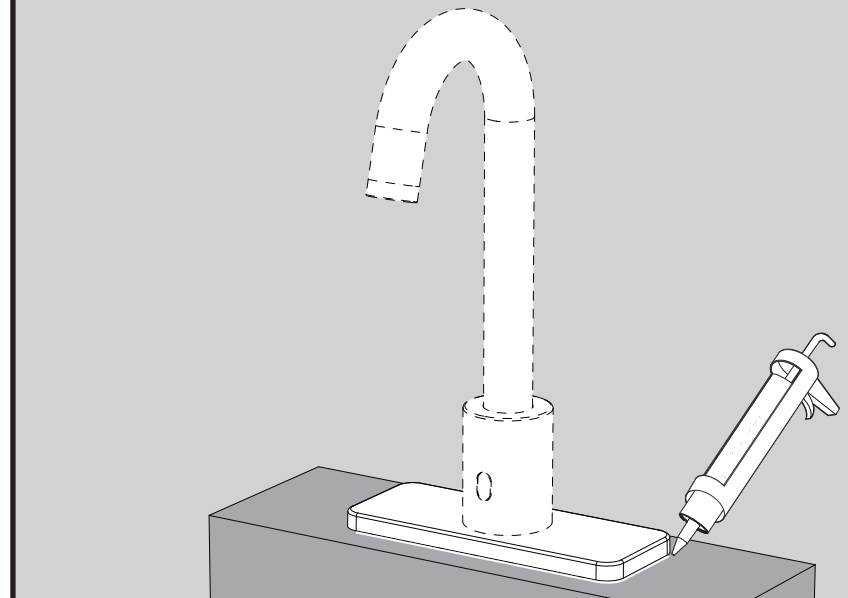
NOTE: For Speakman SF-9100/SF-9200 series (Gooseneck Sensor Faucet), first remove the Flange (1) and the Rubber Gasket (2) from the faucet body.

3 Before securing the Faucet from below, align the Deck Plate to the desired location. Position Spout and Deck Plate so that they are aligned horizontally. Then secure Faucet from below.



SHOWN WITH SPEAKMAN SF-9100 GOOSENECK SENSOR FAUCET.

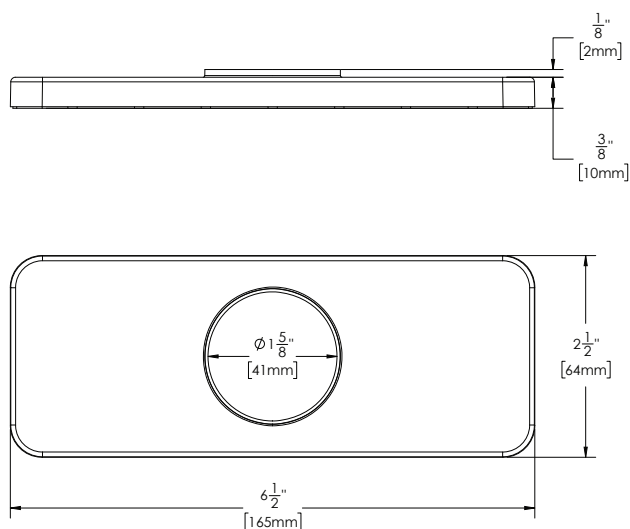
4 Use Plumber's Putty or Caulk to seal the edge of the Deck Plate. Continue the installation of your Faucet following the Faucet Installation Manual of your model.



SHOWN WITH SPEAKMAN SF-9100 GOOSENECK SENSOR FAUCET.

SF-4DECK ROUGH-IN DIAGRAM

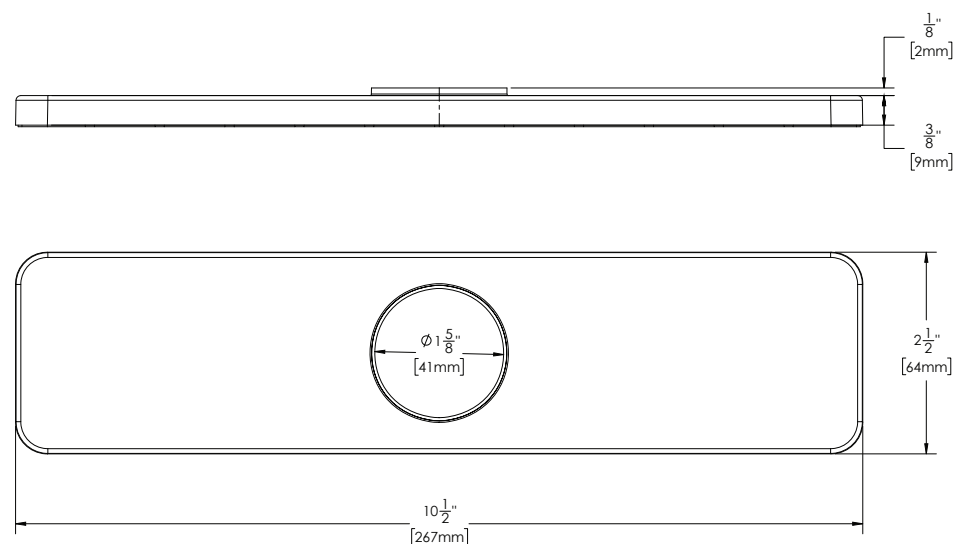
SPEAKMAN®



ALL DIMENSIONS ARE IN INCHES (MILLIMETERS) UNLESS OTHERWISE SPECIFIED. DIMENSIONS SUBJECT TO CHANGE WITHOUT NOTICE.

SF-8DECK ROUGH-IN DIAGRAM

SPEAKMAN®



ALL DIMENSIONS ARE IN INCHES (MILLIMETERS) UNLESS OTHERWISE SPECIFIED. DIMENSIONS SUBJECT TO CHANGE WITHOUT NOTICE.