

Vector® Double Paper Holder

FEATURES:

- Double Paper Holder measures 12" in length
- Spring-loaded paper holder
- Metal construction
- Corrosion resistant finishes
- Mounting hardware is included
- Coordinates with Vector Collection

STOCK FINISHES:



PC MB

SPECIALTY FINISHES:

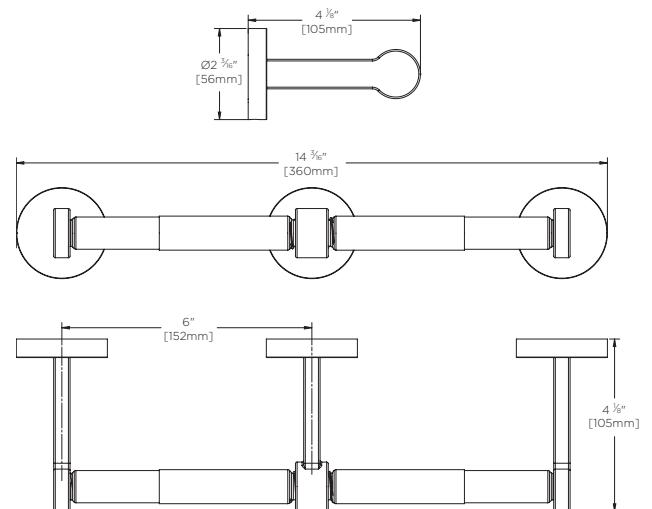


PB PN

WARRANTY:

Visit www.speakman.com for full product warranty information

- 1 Year Limited Warranty (commercial)
- Limited Lifetime Warranty (residential)



1. All dimensions are in inches (millimeters) unless otherwise specified and are subject to change without notice.

Architect/Engineer Approval Space:

SPEAKMAN
400 ANCHOR MILL ROAD
NEW CASTLE, DE 19720

P: 800-537-2107
F: 800-977-2747
W: WWW.SPEAKMAN.COM
R: 02-AUGUST 2018