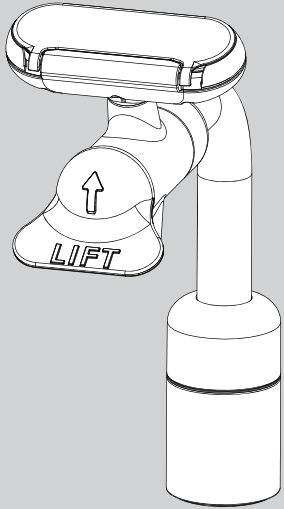


## INSTRUCTIONS FOR MODELS

### SEF-1000 SEF-1000-8 Eyesaver® Faucet



#### NEED HELP?

For additional assistance or service please contact:

#### SPEAKMAN®

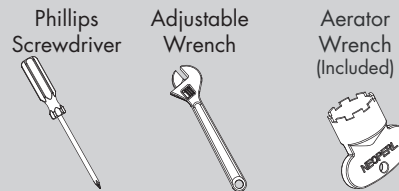
800-537-2107

customerservice@speakman.com

www.speakman.com

92-SEF-1000-07

## TOOLS AND SUPPLIES



#### HELPFUL TOOLS & SUPPLIES:



#### IMPORTANT

- The supply line for the eyewash shall provide an uninterrupted supply of flushing fluid at a minimum of 30 psi flowing pressure. If shut off valves are installed in the supply line of the eyewash, provisions shall be made to prevent unauthorized shut off. ANSI Z358.1 requires that all emergency equipment shall be tested weekly to verify proper operation and inspected annually to assure conformance with ANSI Z358.1 requirements.

- Do not over-tighten any connections or damage may occur.
- Be sure to read instructions thoroughly before beginning installation.
- This faucet has an operating range of 20-80 psi.
- This installation manual covers several models. While the appearance of your faucet may vary, the installation steps required are the same as shown in this manual.

#### SAFETY TIPS

Cover your drain to prevent loss of parts. Be sure to wear eye protection while cutting pipe.

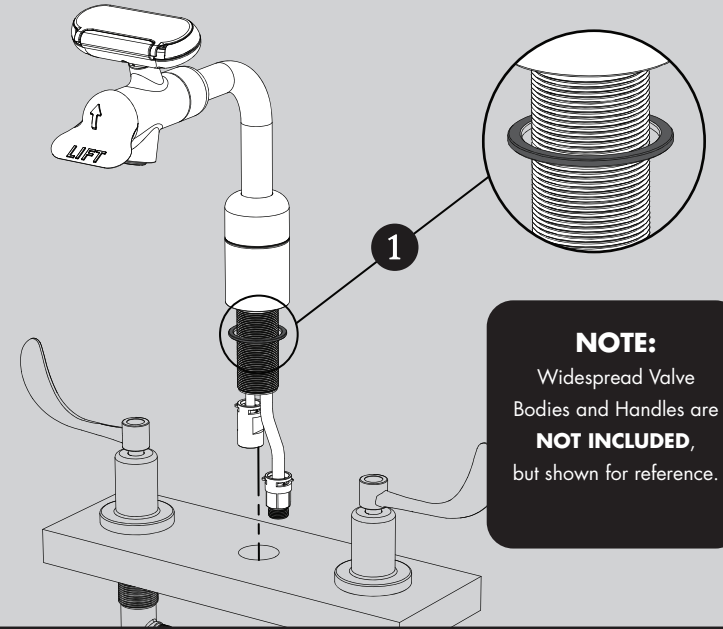
#### MAINTENANCE

Your new Speakman Product is designed for years of trouble-free performance. Keep it looking new by cleaning it periodically with a soft cloth. The use of harsh chemicals and abrasives on any of the Speakman custom finish products may damage the finish and void the product warranty. Please be sure to only use approved cleaners. Please contact Speakman for any clarification of acceptable cleaners.

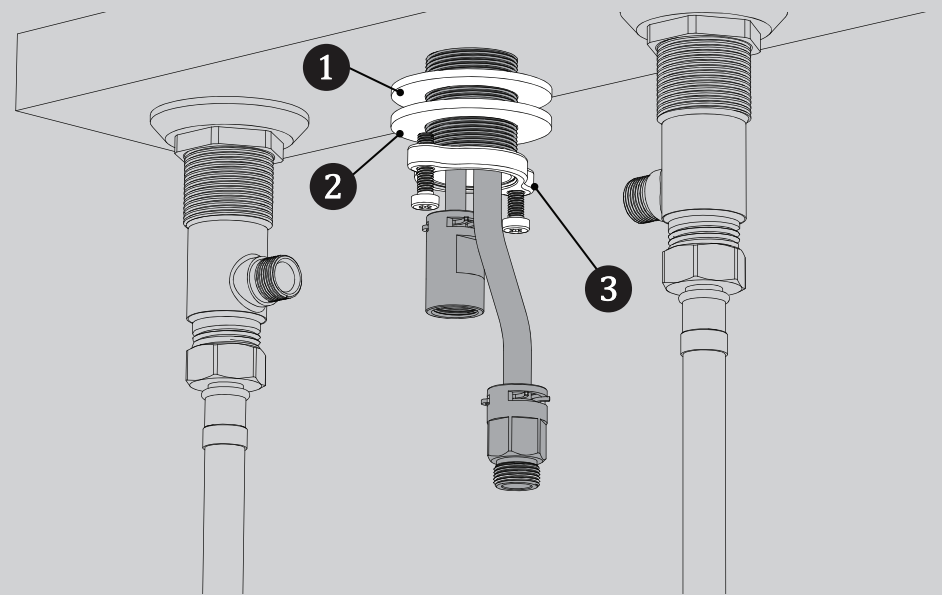
#### WARRANTY

Warranty information can be found at: [www.speakman.com](http://www.speakman.com)

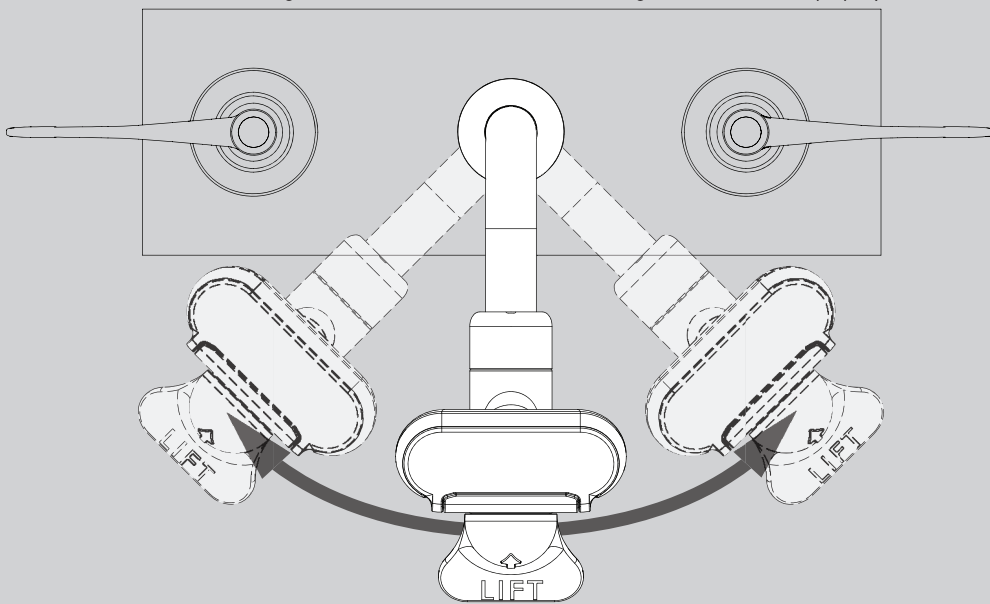
**1** Ensure water supplies are shut OFF. Remove existing faucet spout and clean mounting surface. Verify that the Rubber Gasket (1) is in position and aligned to the base of the Faucet Spout. Place Hoses carefully, one at a time, through hole in mounting surface. Lower Faucet Spout into position.



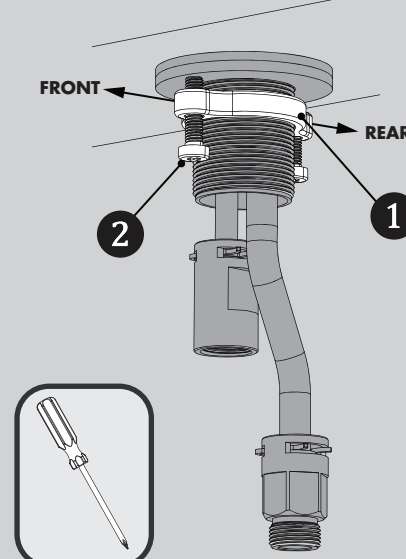
**2** From below, install Rubber Mounting Washer (1), Metal Mounting Washer (2), and Mounting Nut (3).



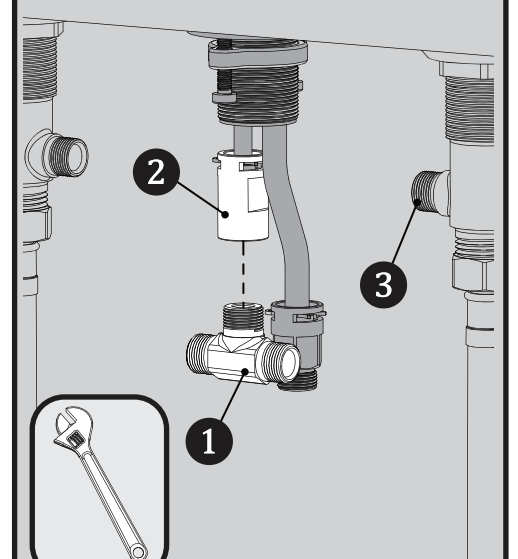
**3** This Faucet has an integral swivel feature. Verify sweep of Faucet Spout and align properly before securing Faucet Spout into final position.  
**NOTE:** The SPEAKMAN logo at the base of the faucet should be facing front when installed properly.



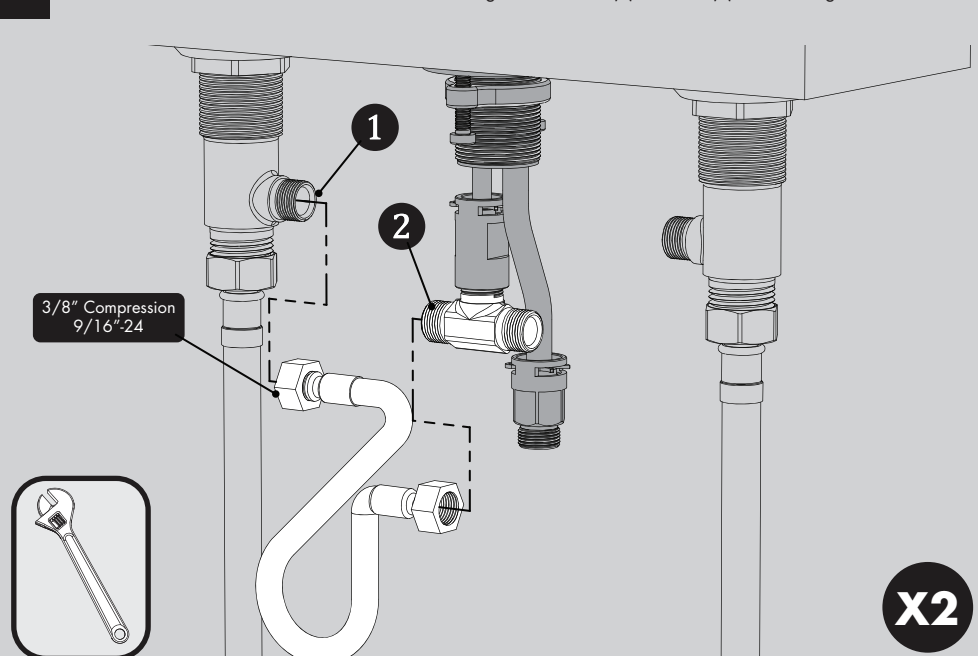
**4** Align Mounting Nut (1) so the Mounting Nut Screws (2) are aligned towards the front and rear of faucet as shown below. Final tighten Mounting Nut Screws (2) using a Phillips Screwdriver.



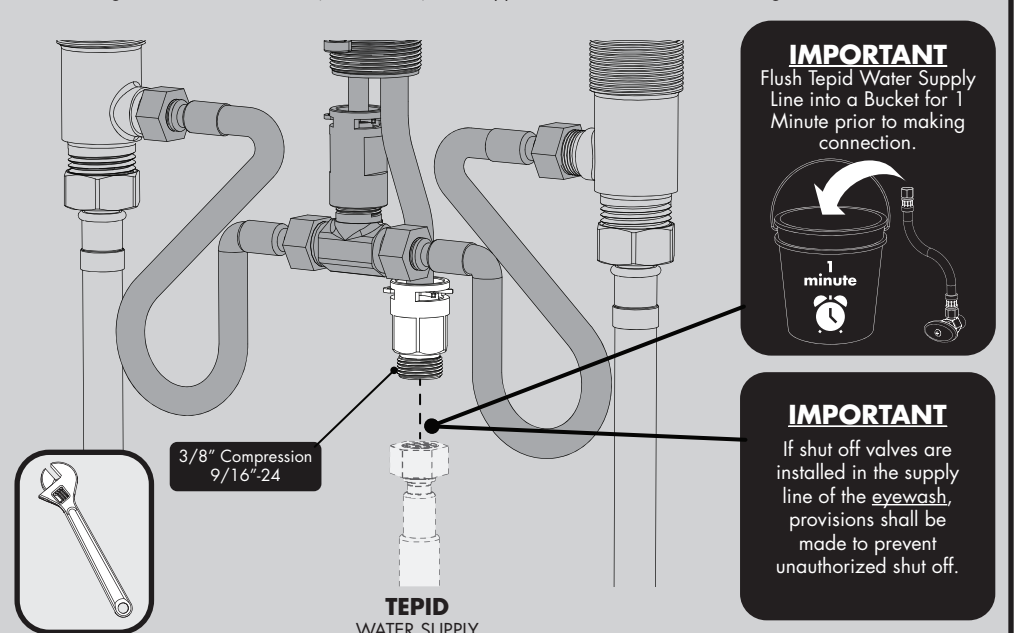
**5** Assemble Tee (1) to Faucet Inlet (2). Wrench tighten connection and align the inlets of the Tee (1) with the outlets of the Existing Valve Bodies (3) (not included).



**6** Install the included Flex Hoses in-between the Existing Valve Bodies (1) and Tee (2). Wrench tighten connections.



**7** Make **TEPID WATER** connection to the inlet of the Eyewash supply. A Speakman **STW-370** Thermostatic Mixing Valve is recommended (not included). Inlet supplies are not included. Wrench tighten connections.

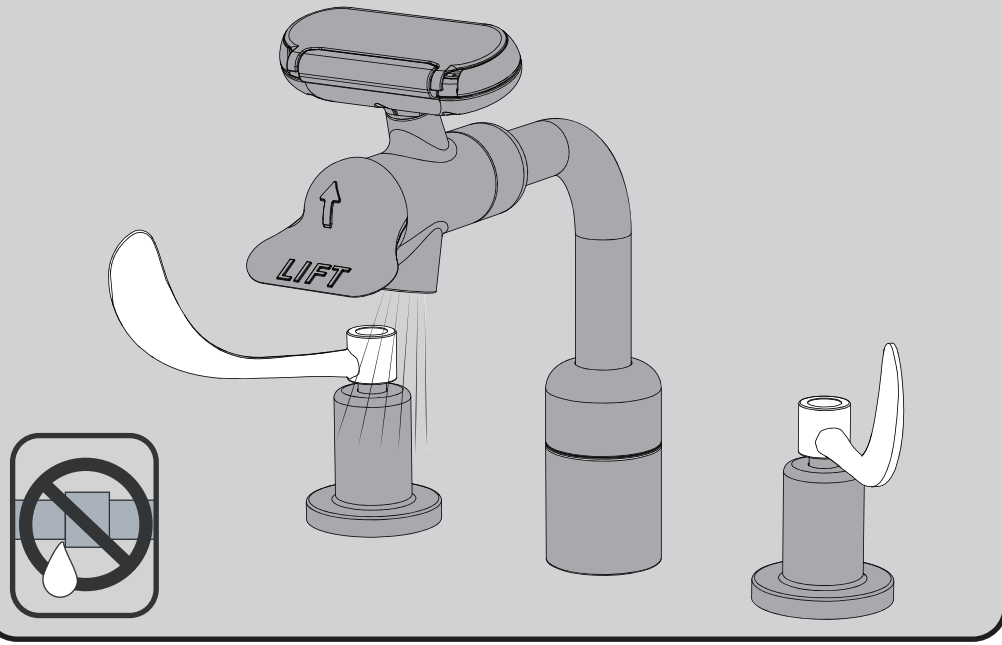


**IMPORTANT**  
Flush Tepid Water Supply Line into a Bucket for 1 Minute prior to making connection.

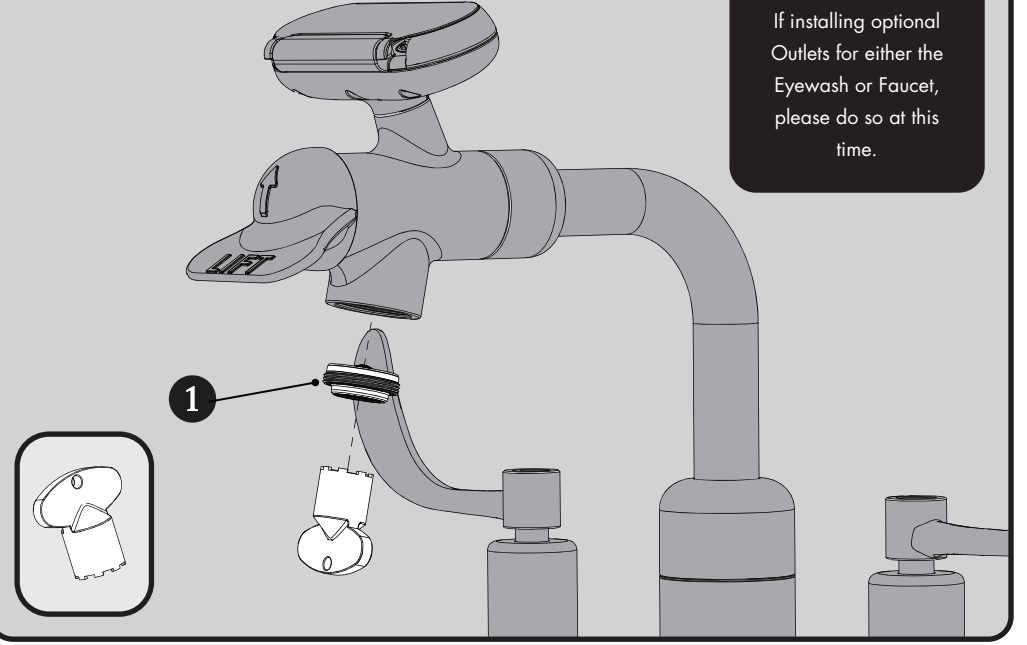


**IMPORTANT**  
If shut off valves are installed in the supply line of the eyewash, provisions shall be made to prevent unauthorized shut off.

**8** Turn on water supplies and inspect for leaks. Open both the HOT and COLD handles and flush Faucet for 1 minute.



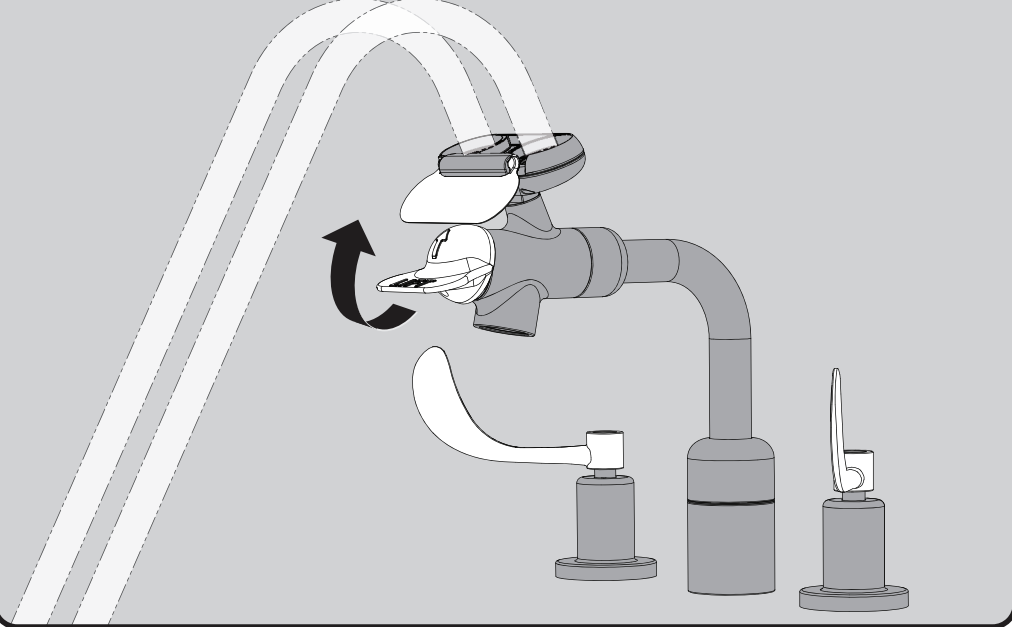
**9** Install Aerator (1) into the Faucet Outlet. Secure with included Aerator Wrench.



**IMPORTANT**

If installing optional Outlets for either the Eyewash or Faucet, please do so at this time.

**10** Activate Faucet and test for proper operation. **NOTE: Before testing, you must remove tape from Eyewash Dust Cap.** Lift Eyewash Handle to activate Eyewash and test for proper operation. See "EYEWASH FLOW DATA" chart. Check all connections for leaks.

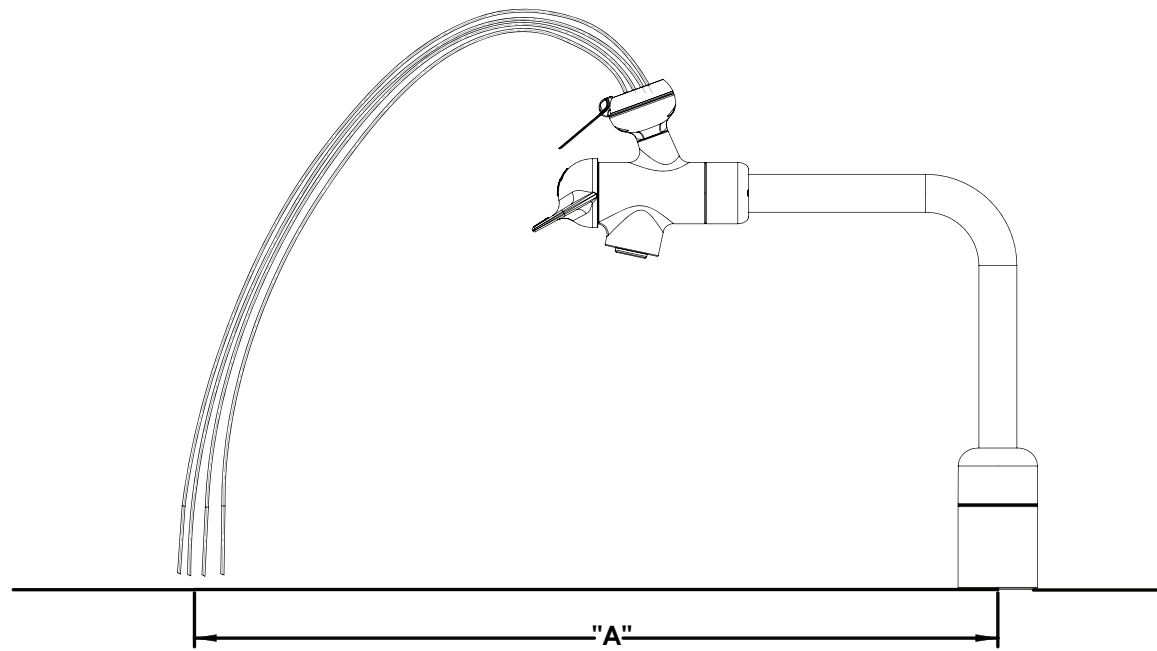


**SEF-1000 / SEF-1000-8 REPAIR PARTS**

ITEM NO.	PART NO.	DESCRIPTION
1	RPG05-111352	1.2 GPM SLIM AIR AERATOR REPAIR GROUP
2	RPG38-110458	SPRAY HEAD REPAIR GROUP

**SEF-1000 / SEF-1000-8 EYEWASH FLOW DATA**

**SPEAKMAN®**



SEF-1000					
FLOWING PRESSURE		FLOW RATE		PLUME DISTANCE "A"	
psi	bar	gpm	L/min	in.	cm
30	2.07	19	7.2	9.5	24.13
40	2.76	2.1	7.9	10.5	26.67
50	3.45	2.2	8.3	10.65	27.31
60	4.14	2.1	7.9	10.5	26.67
70	4.83	2.2	8.3	11	27.94
80	5.52	2.3	8.7	11.5	29.21

SEF-1000-NA					
FLOWING PRESSURE		FLOW RATE		PLUME DISTANCE "A"	
psi	bar	gpm	L/min	in.	cm
30	2.07	19	7.2	9.5	24.13
40	2.76	2.1	7.9	10.5	26.67
50	3.45	2.2	8.3	10.65	27.31
60	4.14	2.1	7.9	10.5	26.67
70	4.83	2.2	8.3	11	27.94
80	5.52	2.3	8.7	11.5	29.21

SEF-1000-8					
FLOWING PRESSURE		FLOW RATE		PLUME DISTANCE "A"	
psi	bar	gpm	L/min	in.	cm
30	2.07	176	6.7	11.5	29.21
40	2.76	2.03	7.7	13	33.02
50	3.45	2.18	8.3	14	35.56
60	4.14	2.1	7.9	13	33.02
70	4.83	2.1	7.9	13.5	34.29
80	5.52	2.2	8.3	13.75	34.93

SEF-1000-8-NA					
FLOWING PRESSURE		FLOW RATE		PLUME DISTANCE "A"	
psi	bar	gpm	L/min	in.	cm
30	2.07	176	6.7	11.5	29.21
40	2.76	2.03	7.7	13	33.02
50	3.45	2.18	8.3	14	35.56
60	4.14	2.1	7.9	13	33.02
70	4.83	2.1	7.9	13.5	34.29
80	5.52	2.2	8.3	13.75	34.93

**NOTE:** If plume heights are low, check to ensure that your supply valves are fully open. If there is a noticeable height difference between the two plumes, remove the aerators and flow controls and remove any debris that would inhibit the flow of water.

**NOTES:**

**COMPLIANCE:**

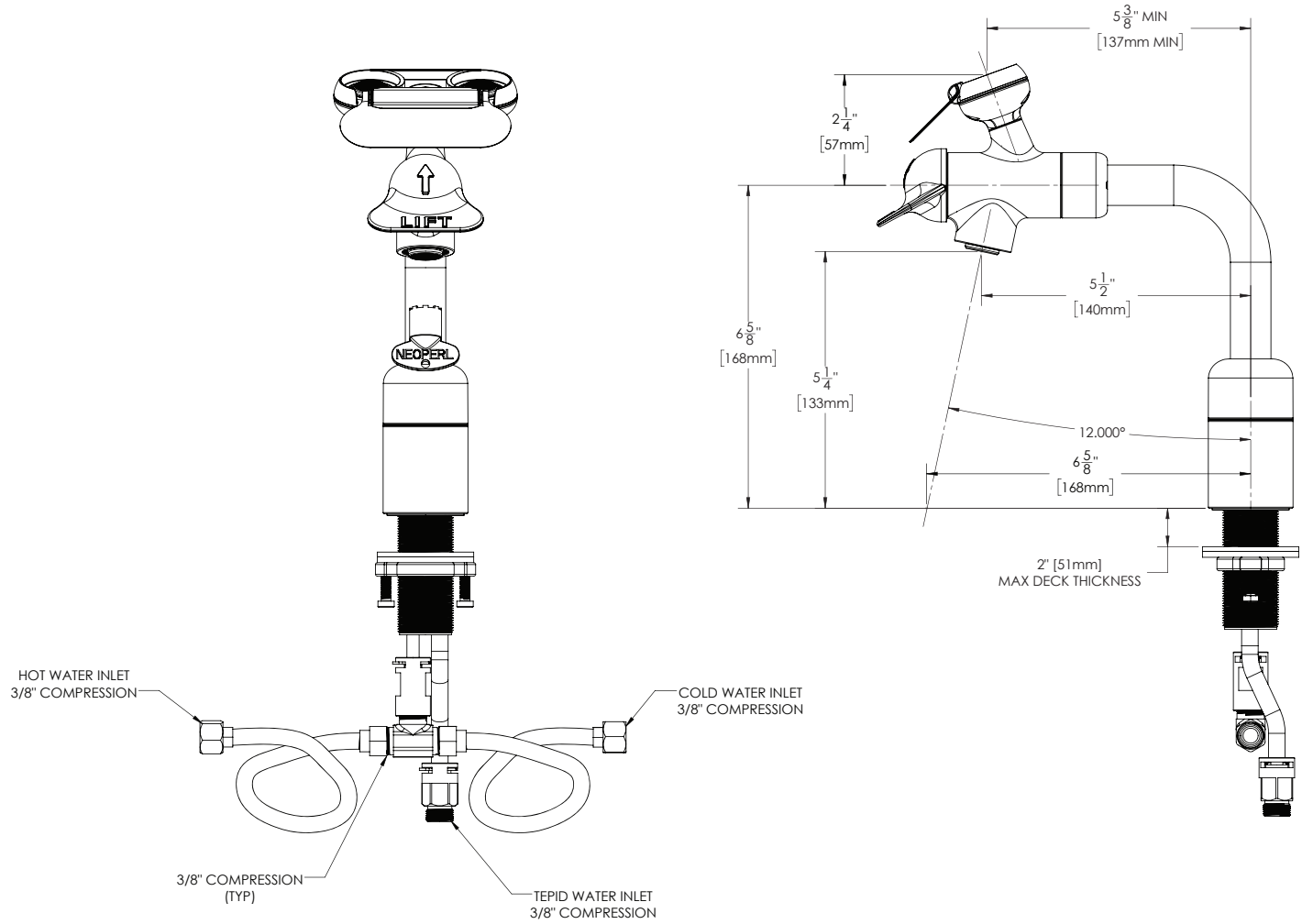
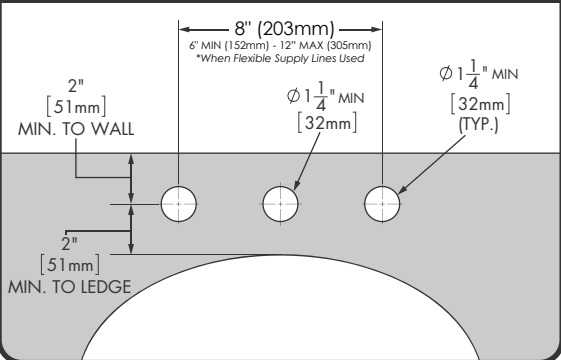
- ANSI/ISEA Z358.1 certified
- ASME A112.18.1/CSA B125.1 certified
- IGC 272 certified
- NSF/ANSI 61 certified
- NSF 372 certified

**CONNECTIONS:**

- Faucet Inlet: 3/8" compression
- Eyewash Inlet: 3/8" compression

Contractor to supply necessary inlet connections.

**LAVATORY ROUGH-IN**



NOTE: UNLESS OTHERWISE SPECIFIED, ALL INLETS ARE 3/8" COMPRESSION WITH FEMALE THREADS. UNLESS OTHERWISE SPECIFIED, ALL DIMENSIONS ARE IN INCHES AND ARE SUBJECT TO CHANGE WITHOUT NOTICE.

**NOTES:**

**COMPLIANCE:**

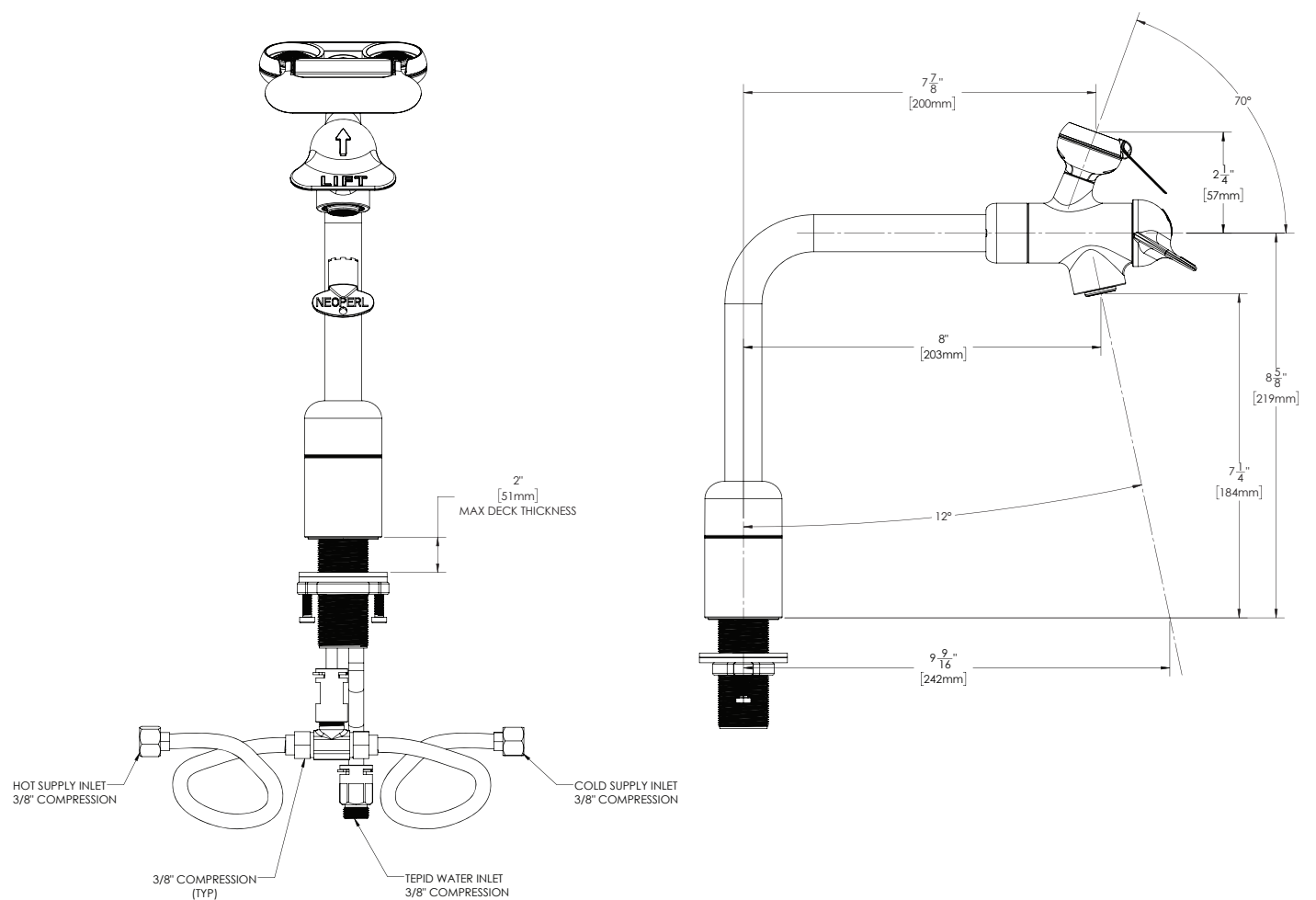
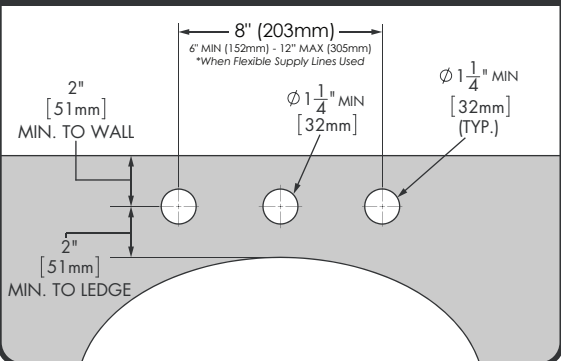
- ANSI/ISEA Z358.1 certified
- ASME A112.18.1/CSA B125.1 certified
- IGC 272 certified
- NSF/ANSI 61 certified
- NSF 372 certified

**CONNECTIONS:**

- Faucet Inlet: 3/8" compression
- Eyewash Inlet: 3/8" compression

Contractor to supply necessary inlet connections.

**LAVATORY ROUGH-IN**



NOTE: UNLESS OTHERWISE SPECIFIED, ALL INLETS ARE 3/8" COMPRESSION WITH FEMALE THREADS. UNLESS OTHERWISE SPECIFIED, ALL DIMENSIONS ARE IN INCHES AND ARE SUBJECT TO CHANGE WITHOUT NOTICE.