

## Classic Sensor Soap Dispenser

### FEATURES:

---

- Brass construction with polished chrome finish
- Sensor eye near base of soap dispenser
- Set-up for both battery (4-D batteries) and AC operation (AC adaptor included)
- Low Arc spout
- 2000ml bottle included
- Switch for liquid soap, or foaming soap operation
- 1.0 second soap dispensing

### STANDARDS:

---

- ADA compliant

### WARRANTY:

---

Visit [www.speakman.com](http://www.speakman.com) for full product warranty information

- Limited Lifetime Warranty (consumer)
- 5 Year Limited Warranty (commercial)



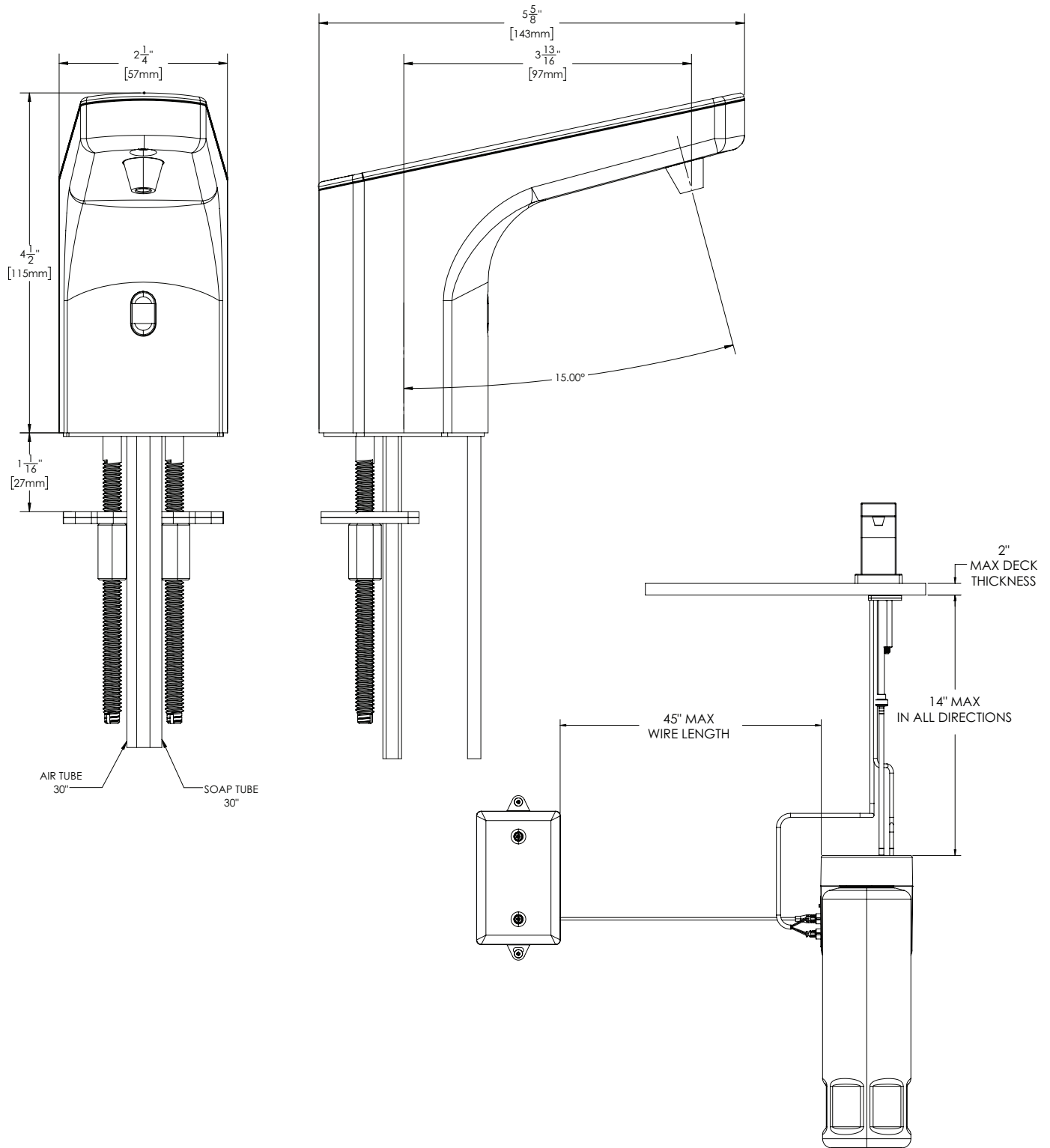
Information continues on next page

1. All dimensions are in inches (millimeters) unless otherwise specified and are subject to change without notice.

Architect/Engineer Approval Space:

P: 800-537-2107  
F: 800-977-2747  
W: WWW.SPEAKMAN.COM  
R: 02-NOVEMBER 2019

## Classic Sensor Soap Dispenser



1. All dimensions are in inches (millimeters) unless otherwise specified and are subject to change without notice.

Architect/Engineer Approval Space:

P: 800-537-2107  
 F: 800-977-2747  
 W: WWW.SPEAKMAN.COM  
 R: 02-NOVEMBER 2019