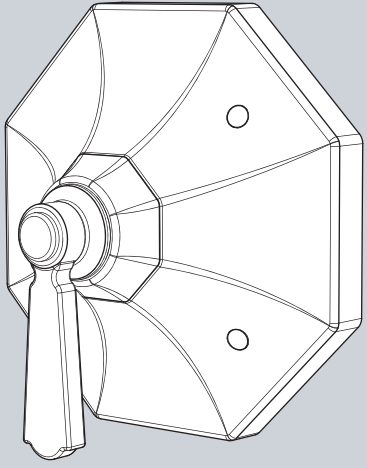


INSTRUCTIONS FOR MODELS

CPT-16000



NEED HELP?

For additional assistance or service please contact:

SPEAKMAN® Company
400 Anchor Mill Road
New Castle, DE 19720

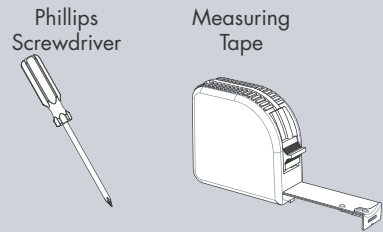
800-537-2107

customerservice@speakman.com

www.speakman.com

92-CPT-16000-02

TOOLS AND SUPPLIES



IMPORTANT

- Do not over-tighten any connections or damage may occur.
- Be sure to read instructions thoroughly before beginning installation.

SAFETY TIPS

Cover your drain to prevent loss of parts.

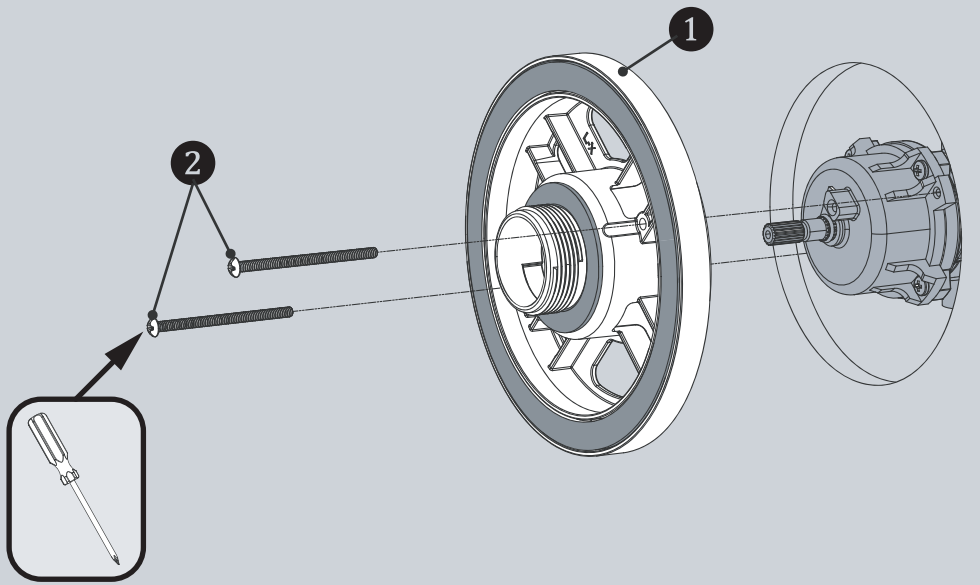
MAINTENANCE

Your new Speakman Product is designed for years of trouble-free performance. Keep it looking new by cleaning it periodically with a soft cloth. The use of harsh chemicals and abrasives on any of the Speakman custom finish products may damage the finish and void the product warranty. Please be sure to only use approved cleaners. Please contact Speakman for any clarification of acceptable cleaners.

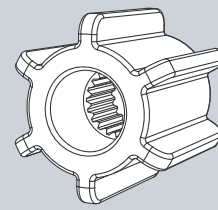
WARRANTY

Additional warranty information can be found at:
www.speakman.com

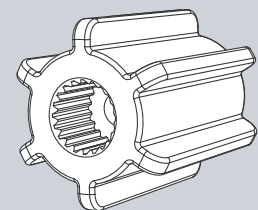
1 Clean wall surface. Place Mounting Base (1) onto the valve, align mounting holes, and secure with supplied screws (2).



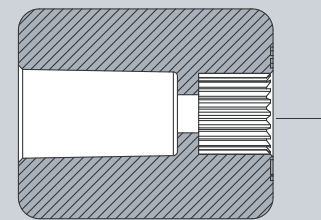
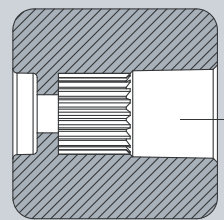
2 There are two connectors included to allow for both Shallow Mount (Valve Centerline is 2.5-3.0" from finished wall surface) and Deep Mount (Valve Centerline is 3.0"-3.5" from finished wall surface) applications. Please select Connector appropriate for your installation.



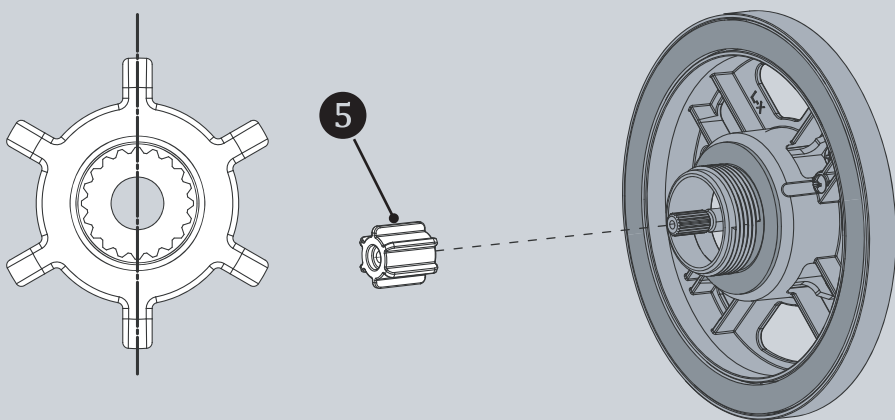
For Shallow Mount Application



For Deep Mount Application

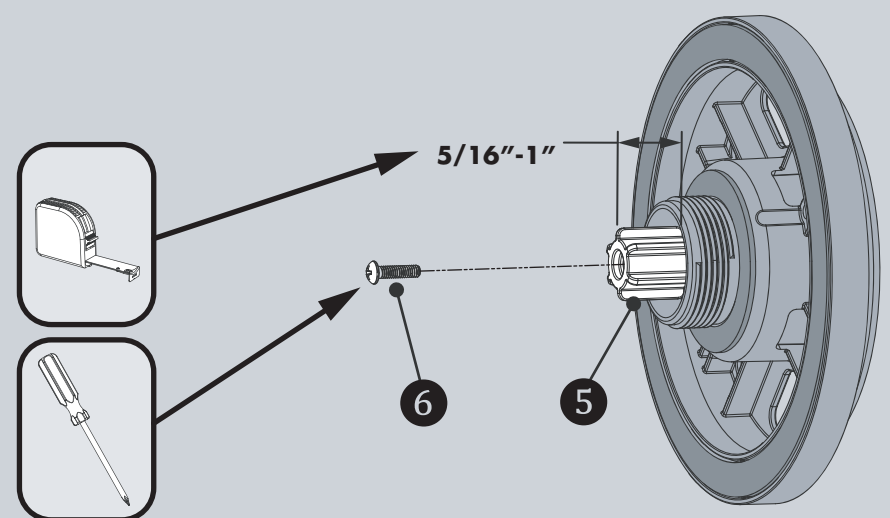


3 Confirm that the valve is in the "OFF" position. Place appropriate Connector (5) onto spindle of valve making sure to orient the Connector so that one set of splines are perfectly vertical as shown below.

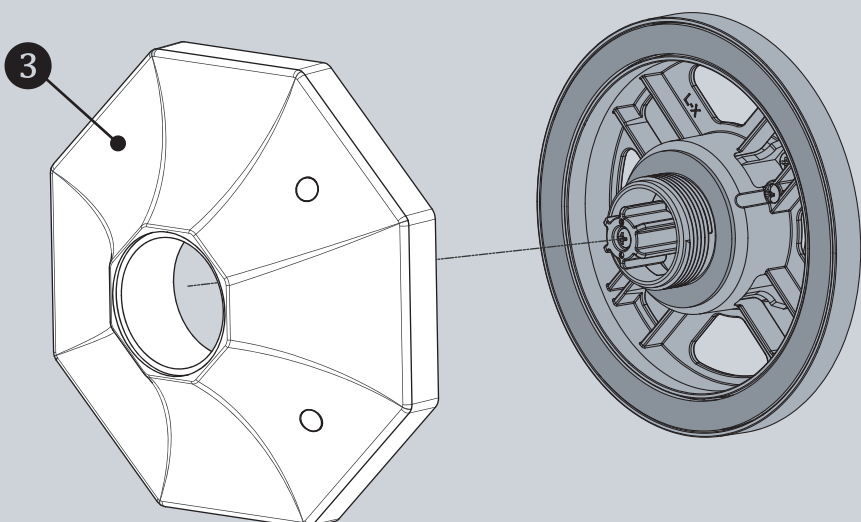


IMPORTANT

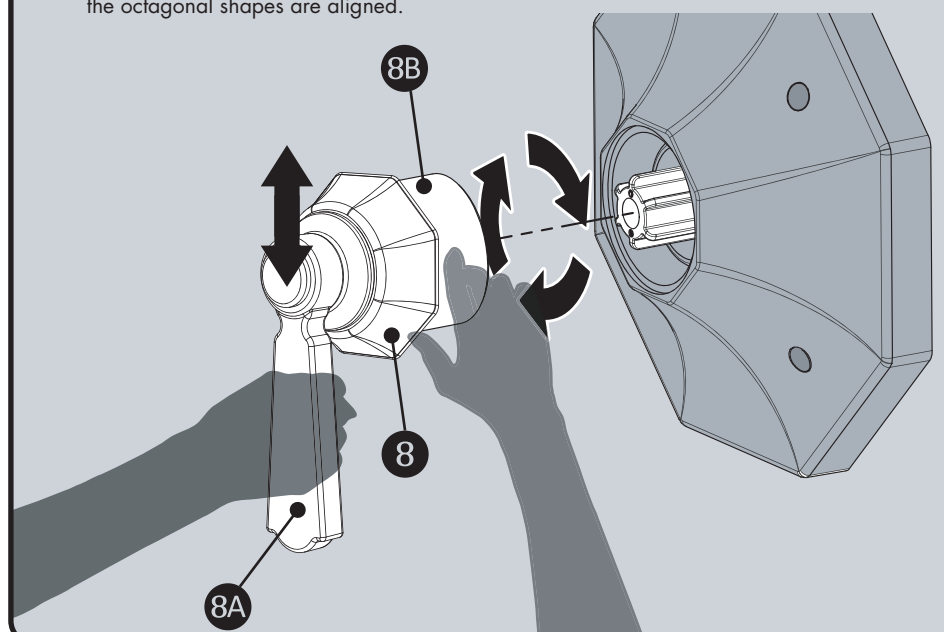
When installed correctly, the Connector (5), should extend beyond the Mounting Base in-between 5/16" -1".

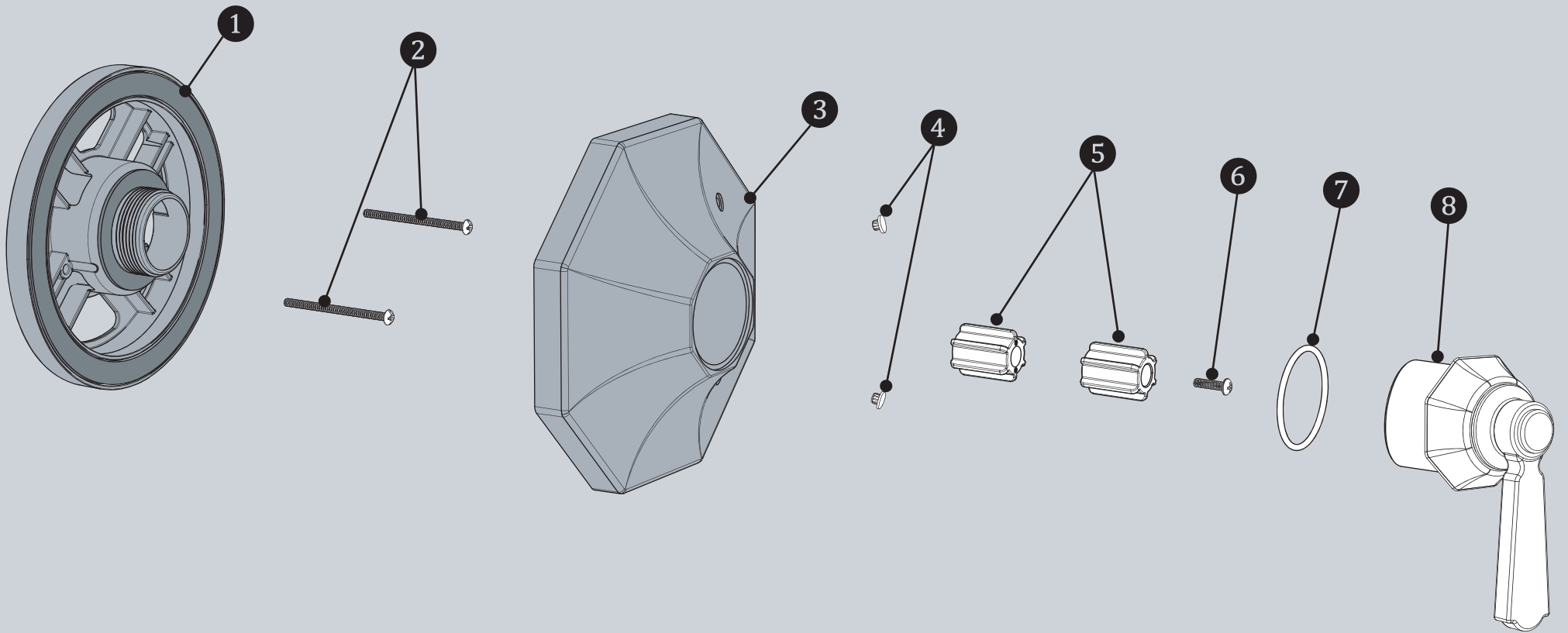


5 Place Escutcheon (3) onto Mounting Base. Take care to align the Escutcheon as shown below.



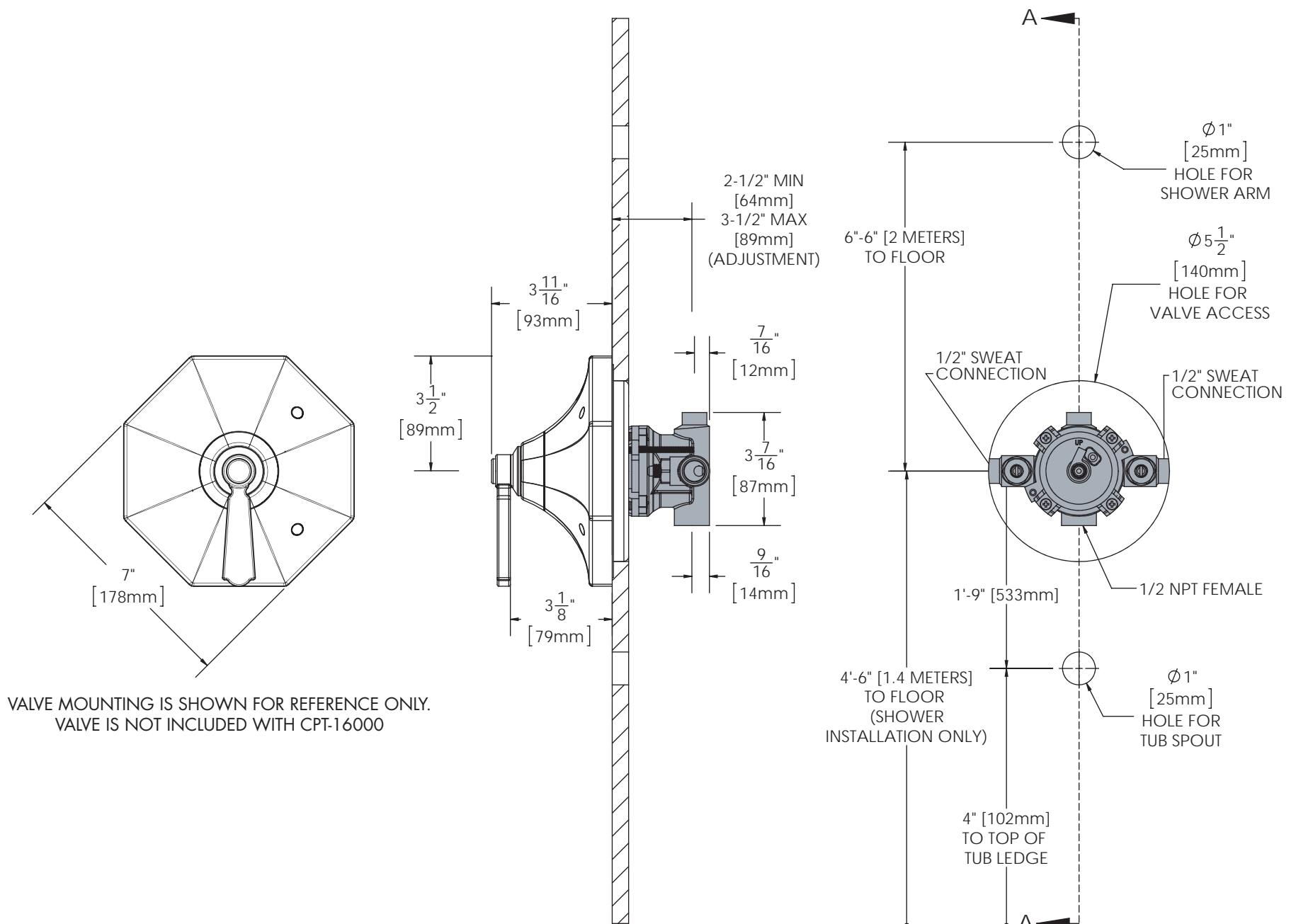
6 Align Handle Assembly (8) with Connector and Escutcheon. Keep Handle (8A) in a stationary vertical position as you thread Handle Hub (8B) onto the Mounting Base. Tighten until snug and the octagonal shapes are aligned.





ITEM NO.	PART NO.	DESCRIPTION
2 5 6	RPG05-0874	ASSEMBLY SCREWS AND ADAPTERS
7 8	RPG04-0439-XX (* XX = FINISH)	HANDLE ASSEMBLY WITH O-RING
4	RPG05-0961	HOT/COLD INDICATOR BUTTONS

CPT-16000 ROUGH-IN DIAGRAM



DIMENSIONS SUBJECT TO CHANGE WITHOUT NOTICE.