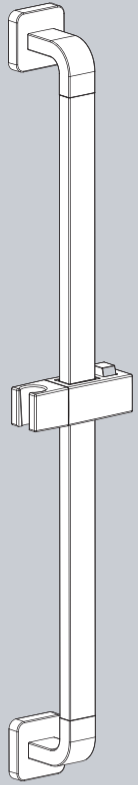


INSTRUCTIONS FOR MODELS

SA-2402



NEED HELP?

For additional assistance or service please contact:

SPEAKMAN® Company
400 Anchor Mill Road
New Castle, DE 19720

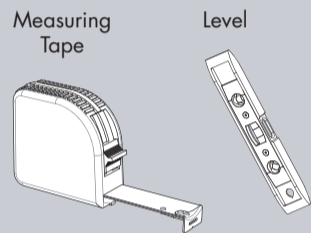
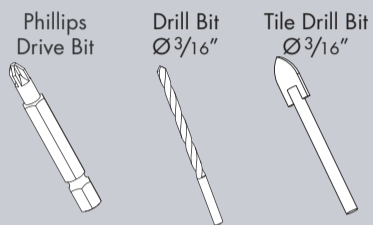
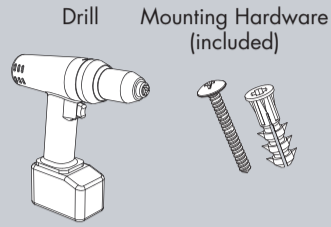
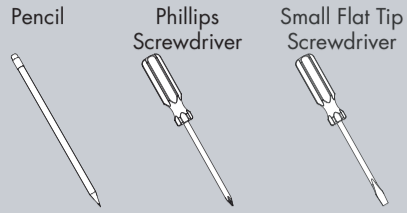
800-537-2107

customerservice@speakman.com

www.speakman.com

92-SA-2402-01

TOOLS AND SUPPLIES



IMPORTANT

- Do not over-tighten any connections or damage may occur.
- Be sure to read instructions thoroughly before beginning installation.

SAFETY TIPS

- Cover your drain to prevent loss of parts. Be sure to wear eye protection.

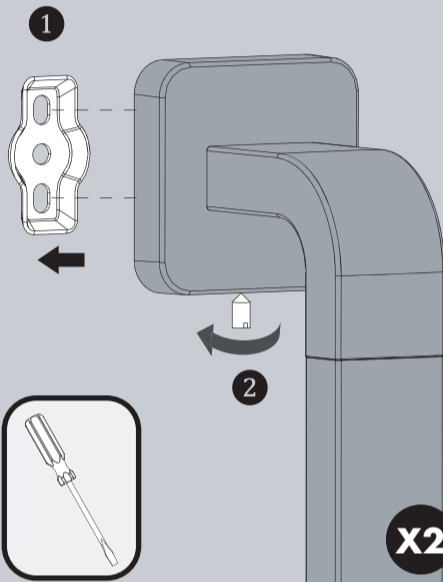
MAINTENANCE

Your new Speakman Product is designed for years of trouble-free performance. Keep it looking new by cleaning it periodically with a soft cloth. The use of harsh chemicals and abrasives on any of the Speakman custom finish products may damage the finish and void the product warranty. Please be sure to only use approved cleaners. Please contact Speakman for any clarification of acceptable cleaners.

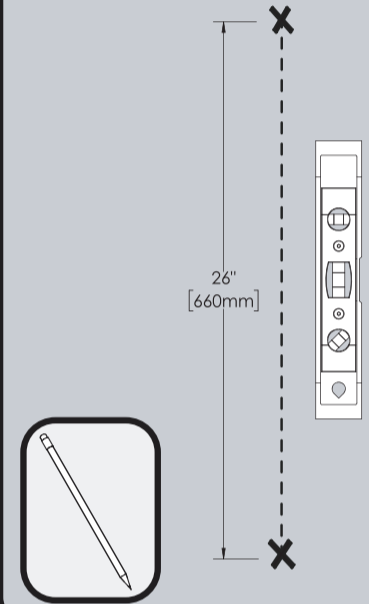
WARRANTY

Additional warranty information can be found at: www.speakman.com

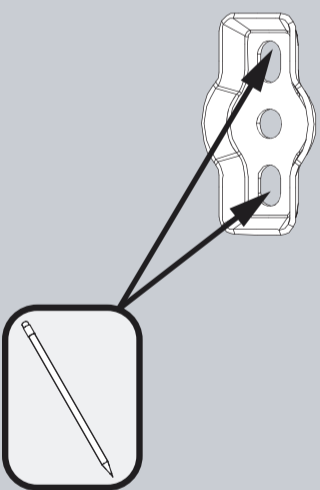
1 If the Mounting Plate(s) (1) come pre-installed in the Accessory (2), remove the Mounting Plate(s) by loosening (but not removing) the pre-installed set screw at bottom with a small Flat Tip Screwdriver.



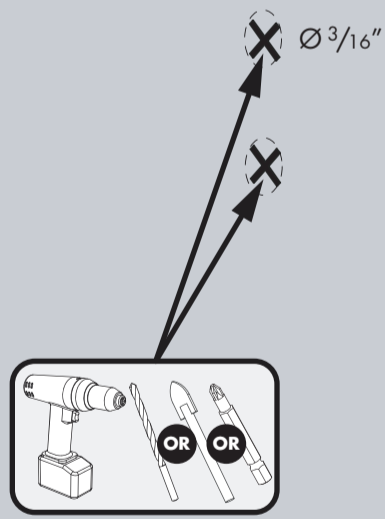
2 At the selected height, mark center point of mounting locations onto wall referencing the rough in diagram.



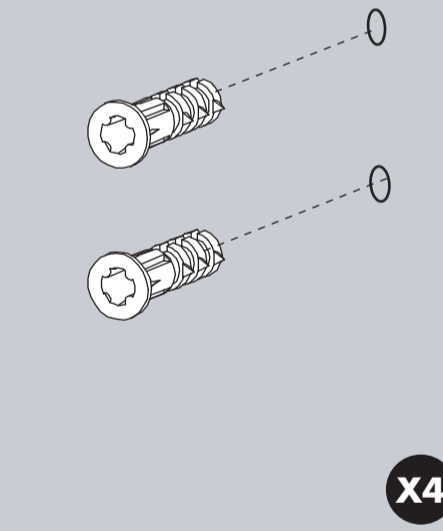
3 Align Mounting Plate over center point marked in previous step. Mounting Plate should be vertical as shown below. Mark Mounting Screw locations onto the wall surface. Remove items after marking mounting locations.



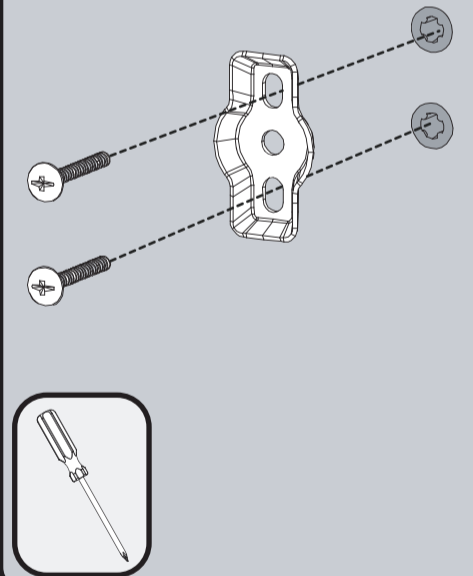
4 If mounting directly to wood stud, Plastic Anchors are not required. If mounting to drywall or tile, select appropriate 3/16" drill bit and drill guide holes at marked locations.



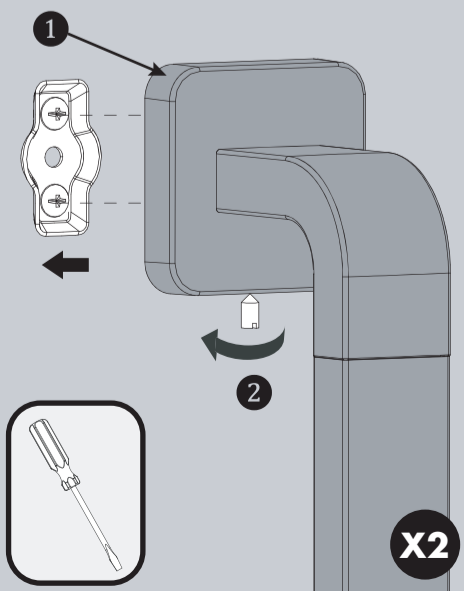
5 Insert Plastic Anchors into drilled holes and press/tap into place until the head is flush to the wall surface. (Note: Plastic Anchors provided may not be suitable for all types of wall construction, seek professional help if in doubt).



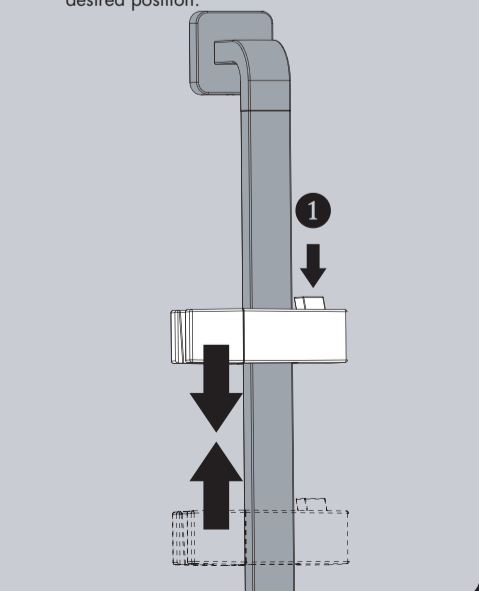
6 Secure Mounting Plate with the Mounting Screws provided. Verify that the Mounting Plate is aligned vertically.



7 Place Accessory (1) over Mounting Bracket and secure the pre-installed set screw (2) with a small Flat Tip Screwdriver.

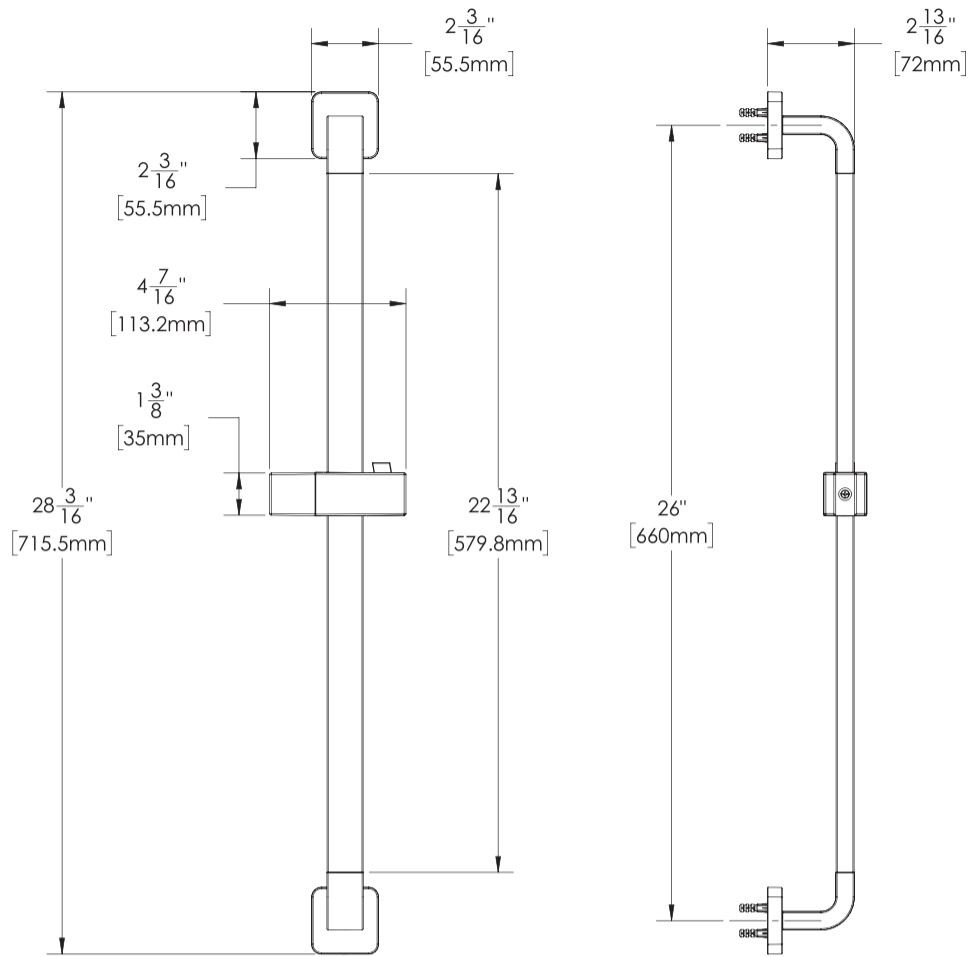


8 Orient the Hand Held Shower Bracket to your desired position. Adjustments are made by pressing the Locking Button (1) to release the position and releasing to lock into the desired position.



SA-2402 ROUGH-IN DIAGRAM

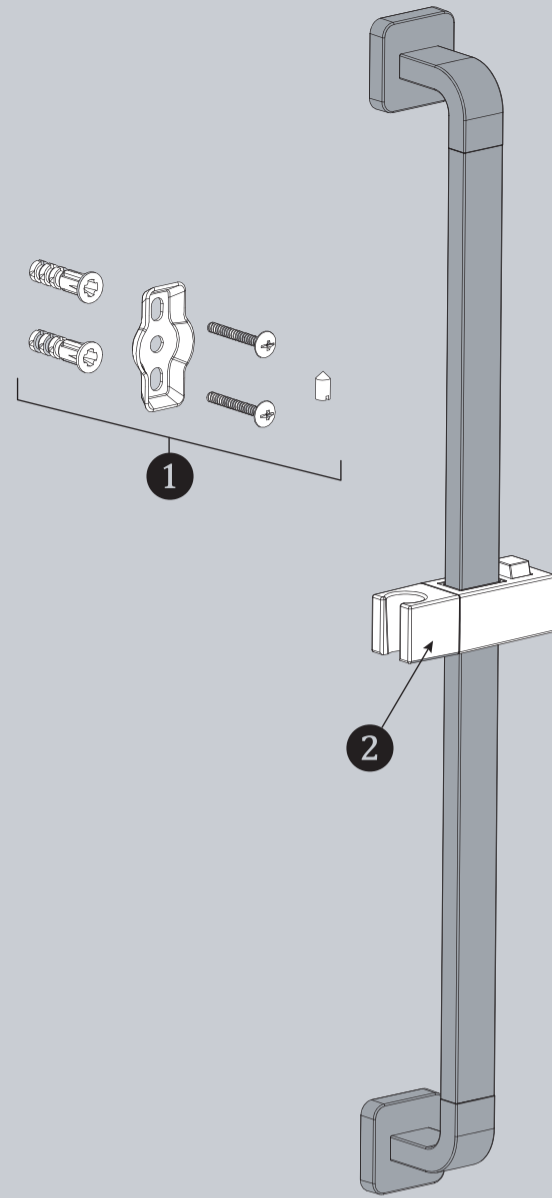
SPEAKMAN®



DIMENSIONS SUBJECT TO CHANGE WITHOUT NOTICE.

SA-2402 REPAIR PARTS

SPEAKMAN®



ITEM NO.	PART NO.	DESCRIPTION
1	RPG48-106091	MOUNTING HARDWARE
2	RPG04-106206-XX (XX = FINISH)	SLIDING MECHANISM