

SPEAKMAN® SM-24000-P

Kubos™ Pressure Balance Valve and Trim

FEATURES VALVE:

- Anti-scald protection
- Pressure balancing ceramic cartridge
- Adjustable temperature limit stop
- Integral stops
- 1/2" NPT female tub outlet
- 1/2" sweat shower outlet
- 1/2" sweat inlets
- Includes rough-in template

TRIM:

- Modern square style
- Mounting plate with seal
- Metal handle
- Durable plastic trim plate

FINISH:



PC BN

COMPLIANCE:

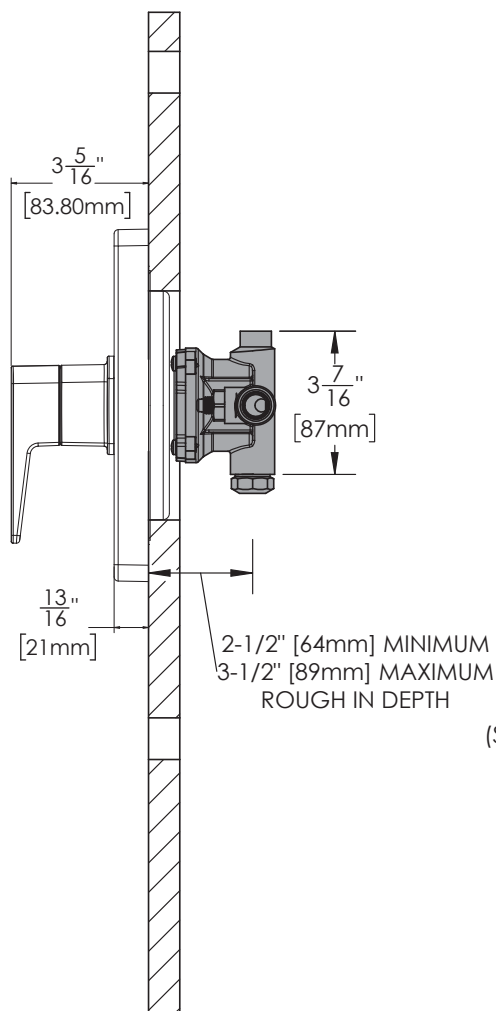
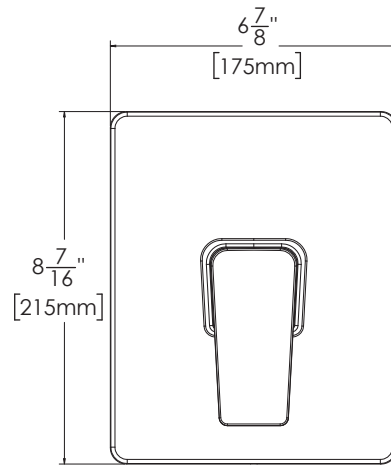
- ASME A112.18.1/CSA B125.1 certified
- Meets ASSE 1016

WARRANTY:

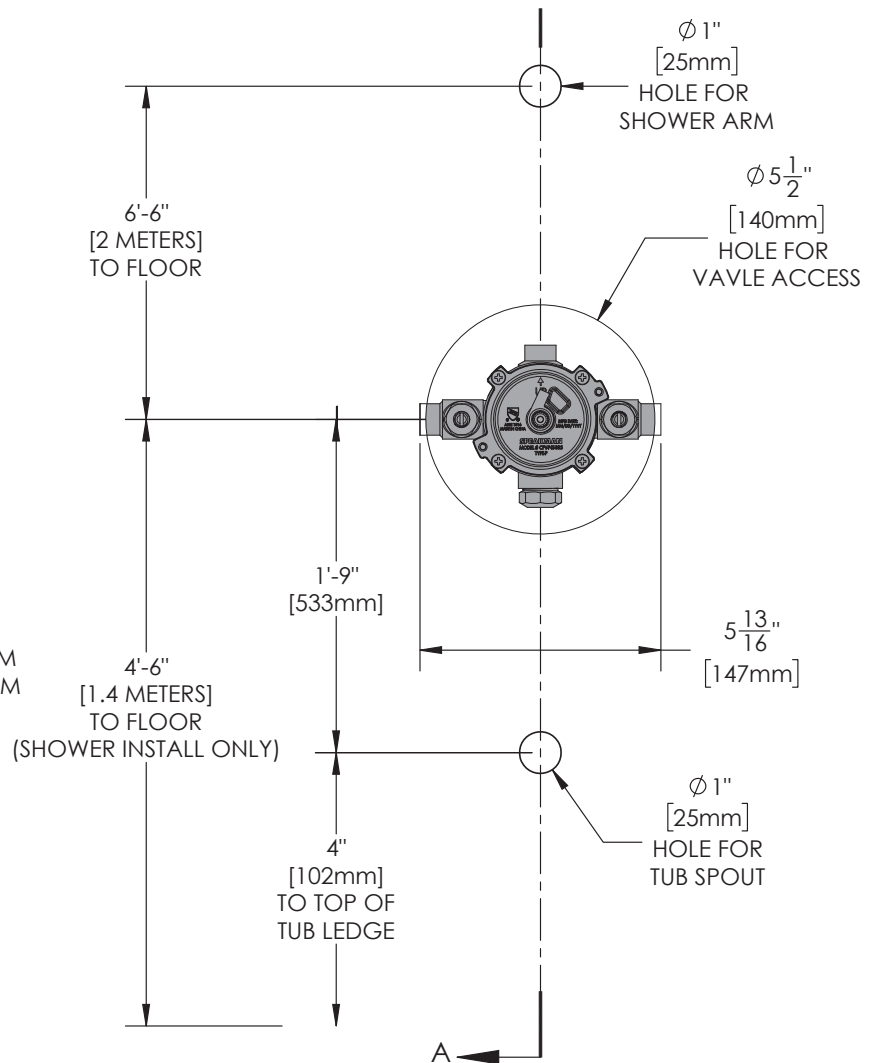
- 1 Year Limited



DIMENSIONS: NOTE: 1. All dimensions are in inches (millimeters) unless otherwise specified and are subject to change without notice. 2. Unless otherwise specified, all inlets and outlets are 1/2" female copper sweat. 3. For ADA mounting locations, consult ADAAG, ANSI A117.1, or static regulations. Contractor pack valves & trim kits available.



SECTION A-A



Architect/Engineer Approval Space:

SPEAKMAN
400 ANCHOR MILL ROAD
NEW CASTLE, DE 19720

P: 800-537-2107
F: 800-977-2747
W: WWW.SPEAKMAN.COM
R: JANUARY 2018