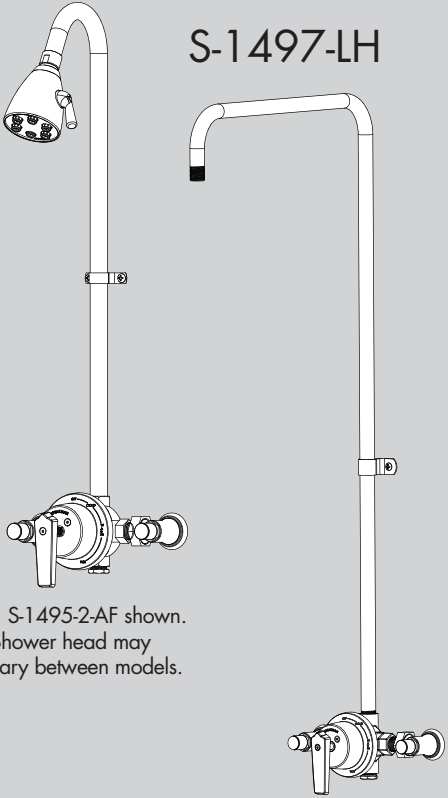


## INSTRUCTIONS FOR MODELS

S-1495-AF

S-1497-LH



\* S-1495-2-AF shown. Shower head may vary between models.

### NEED HELP?

For additional assistance or service please contact:

**SPEAKMAN**® Company  
400 Anchor Mill Road  
New Castle, DE 19720

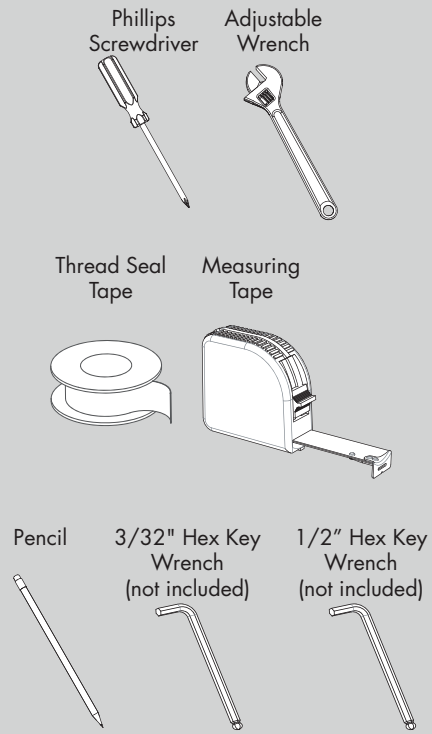
800-537-2107

customerservice@speakman.com

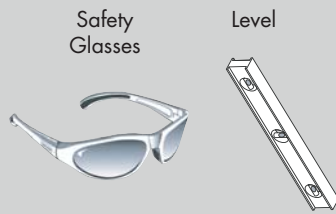
www.speakman.com

92-S-1495-97-01

## TOOLS AND SUPPLIES



### HELPFUL TOOLS & SUPPLIES:



## IMPORTANT

- Be sure to read instructions thoroughly before beginning installation.
- Be sure to have properly adjusted the Temperature Limiting Stop (TLS) as outlined in this Installation Manual.
- Inspect all connections after installation of valve.
- This valve has an operating range of 20-80 Psi.
- This valve is designed to be used in conjunction with a shower head rated at 2.0 gpm (7.6 L/min) or higher flow rate.
- **NOTE:** This installation manual covers several models of valves. While the appearance of your valve may differ from those shown, the installation method is the same.
- Maximum water pressure: 125 psi static; minimum water pressure: 20 psi flowing; minimum cold supply temperature: 40 °F; maximum hot supply temperature: 160 °F;

### SAFETY TIPS

Cover your drain to prevent loss of parts. Be sure to wear eye protection while cutting pipe.

### MAINTENANCE

Your new Shower/Bath Valve is designed for years of trouble-free performance. Keep it looking new by cleaning it periodically with a soft cloth. The use of harsh chemicals and abrasives on any of the Speakman custom finish products may damage the finish and void the product warranty. Please be sure to only use approved cleaners. Please contact Speakman for any clarification of acceptable cleaners.

This type of valve must be cleaned and maintained on a regular basis. Periodic maintenance should be performed at least every 12 months or after any changes have been made to the building's plumbing system. Valves that are installed outdoors should be winterized by removing all of the internal parts and removing any standing water from the valve. Quarterly the maximum hot temperature setting (TLS) should be checked and adjusted accordingly.

### WARRANTY

Warranty information can be found at: [www.speakman.com](http://www.speakman.com)

## FREEZE PROTECTION

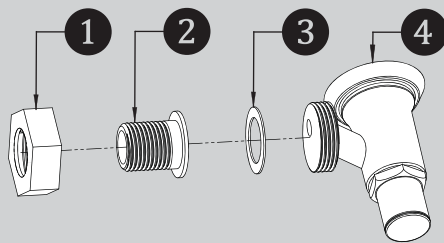
- Mounting location must be capable of supporting the product in use.
- Freeze damage to the shower unit will void the warranty. It is important to winterize the complete shower unit. The unit must be drained of all water in freezing conditions. This includes removing the valve cartridge and the shower head from the unit. Store the valve cartridge and shower head indoors.**

**CAUTION:** When outdoor temperature rises above 90 degrees, use caution to prevent scalding from water stored within the unit. It is recommended to flush the unit by turning it on for 30 seconds before entering the shower water. This will avoid accidental scalding by the user and ensure safe use of the shower unit.

- 1 Install the HOT and COLD supply lines for the Valve, either through the wall, from the ceiling, or from the floor. For ceiling and floor mounts, hold 1" from finished wall to center of supply lines. See rough-in diagram on last page.

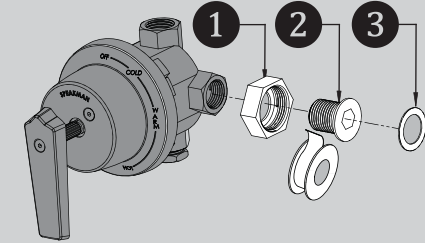


- 2 Disassemble the two Union Stops. Start by loosening the Union Nut (1). The Union Adapter (2) and Union Washer (3) usually stay affixed to the Union Nut. Place the Union Body (4) to the side.



X2

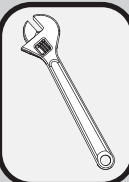
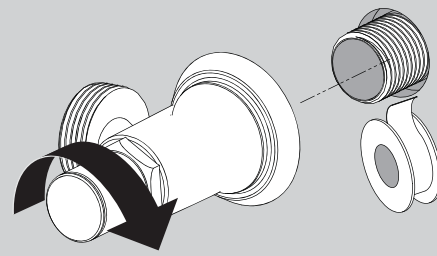
- 3 If the components in Step 2 did not stay together, insert the Union Adapter (2) into the Union Nut (1), followed by the Union Washer (3). After applying Thread Seal Tape to the Union Adapter, thread the assembly into the COLD Inlet. Tighten with a 1/2" Allen Wrench. Repeat for HOT Inlet.



1/2"

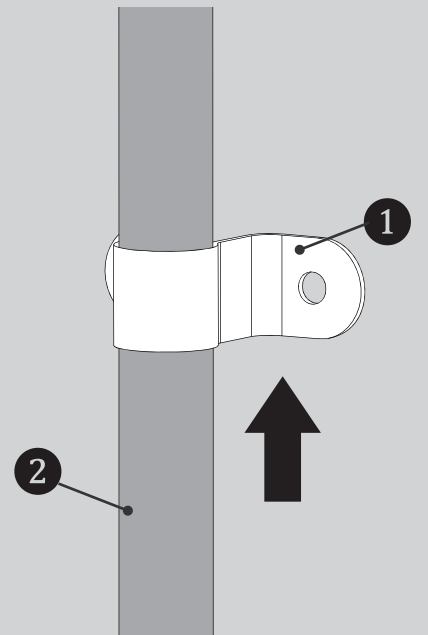
X2

- 4 Retrieve the Union Body. After the application of Thread Seal Tape, thread the Union Body onto the COLD supply line and tighten with the Adjustable Wrench. Repeat for HOT supply.

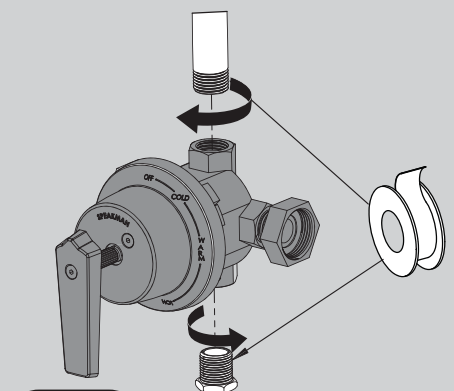


X2

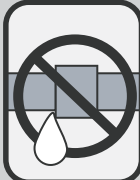
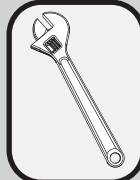
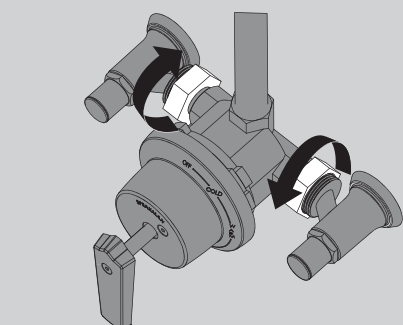
- 5 Slide the Strap (1) onto the Shower Arm (2).



- 6 Apply Thread Seal Tape to both ends of Shower Arm Gooseneck, and Bottom Plug. Thread Shower Arm Gooseneck into Valve Body being sure to properly align outlet. Install Plug into bottom port of Valve Body and wrench tighten.



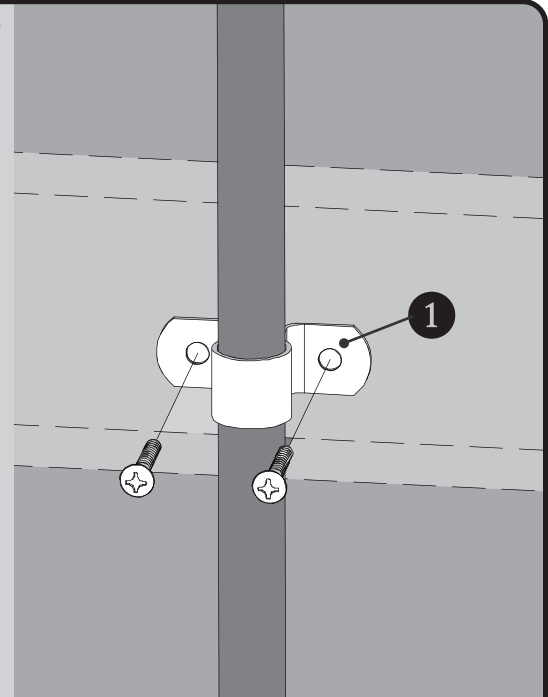
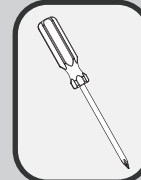
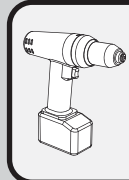
- 7 Insert the Valve Assembly between the installed Union Stop Bodies. Thread Union Nuts onto Valve Body and wrench tighten, being sure Shower Arm Gooseneck is in a true vertical position. Turn on water supply and check for leaks.



- 8 **Mounting location is optional.** Verify that the mounting location and structure is capable of supporting the product in use.

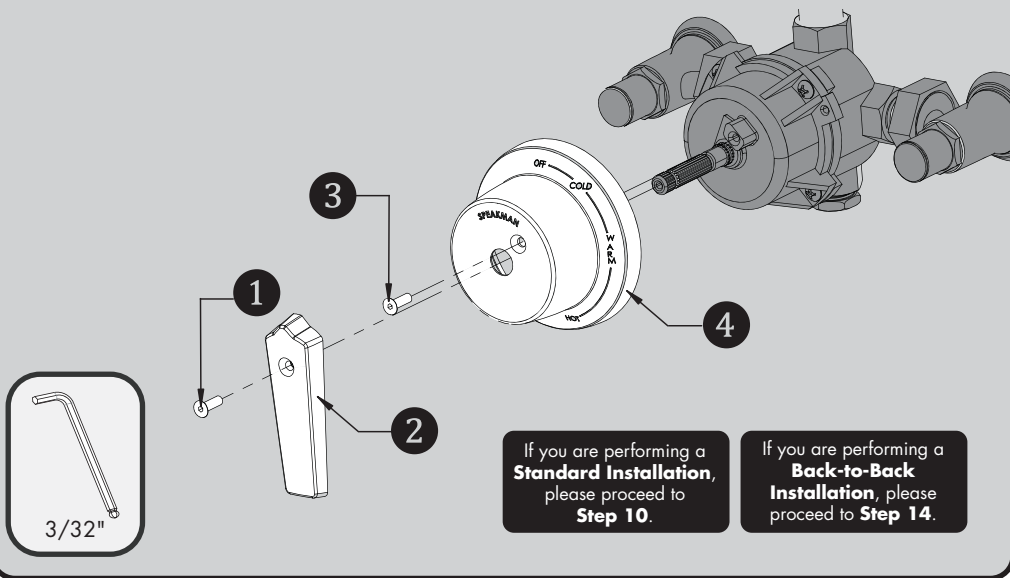
Mark location of mounting holes for Shower Arm Strap (1) referencing the rough-in diagram contained in this document.

Install Shower Arm Strap (1) to upper pipe using Supplied Screws. In drywall or tile applications, be sure to use appropriate hardware.



## 9 HANDLE AND DIAL CAP REMOVAL

The Handle and Dial Cap must be removed to adjust the Temperature Limit Stop. Remove the Handle Screw (1), then slide the Handle (2) off. Remove the Dial Cap Screw (3) followed by sliding off the Dial Cap (4).



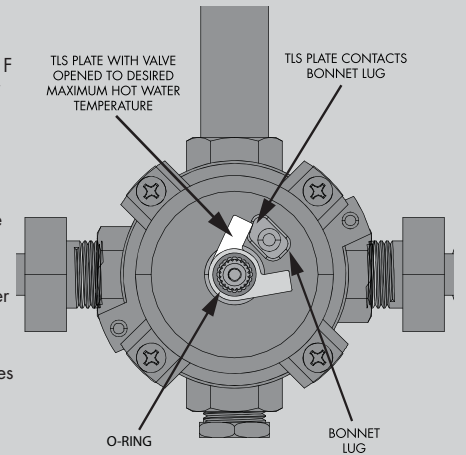
If you are performing a **Standard Installation**, please proceed to **Step 10**.

If you are performing a **Back-to-Back Installation**, please proceed to **Step 14**.

## 10 TEMPERATURE LIMIT ADJUSTMENT

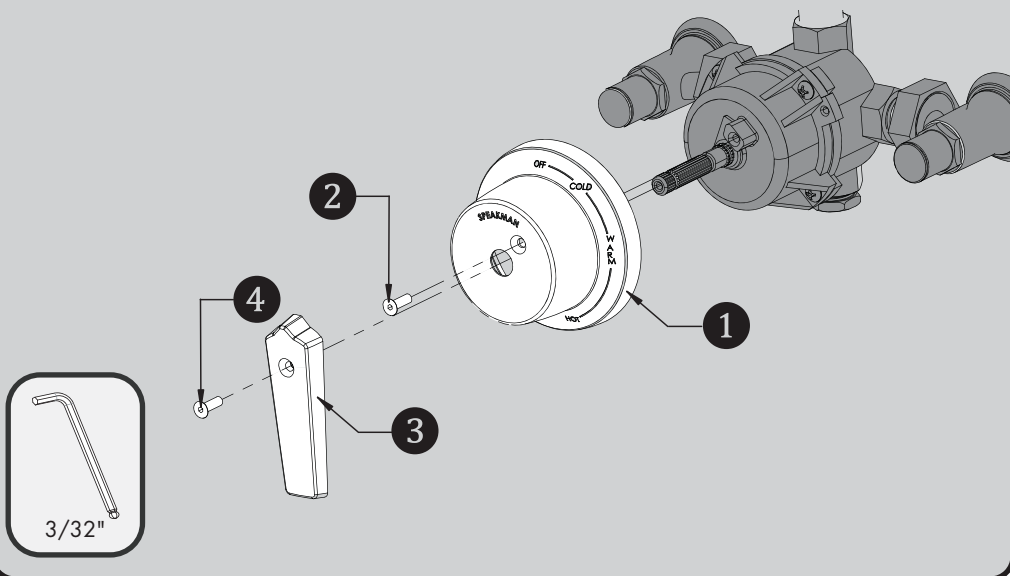
Remove Handle and Dial Cap as shown in **STEP 9**. Important- Check each valve installation with a thermometer to make sure the maximum hot water temperature is set to the recommended setting of 110° F maximum. To lower the limit of the maximum hot water temperature the valve delivers, adjust the valve's temperature limit stop (TLS) plate.

- 1) Slip the retaining O-ring and the TLS plates towards the end of the spindle.
- 2) With the water supplies on, rotate the valve spindle clockwise to the maximum desired hot water temperature.
- 3) Position the bottom TLS plate so it contacts the upper side of the bonnet post and therefore restricts the clockwise rotation of the spindle.
- 4) The top TLS plate should be adjusted so that it comes in contact with the lower side of the bonnet post when the valve is rotated counter-clockwise to the "OFF" position.
- 5) Slip the retaining O-ring back into the groove of the spindle to hold the TLS plates in place.

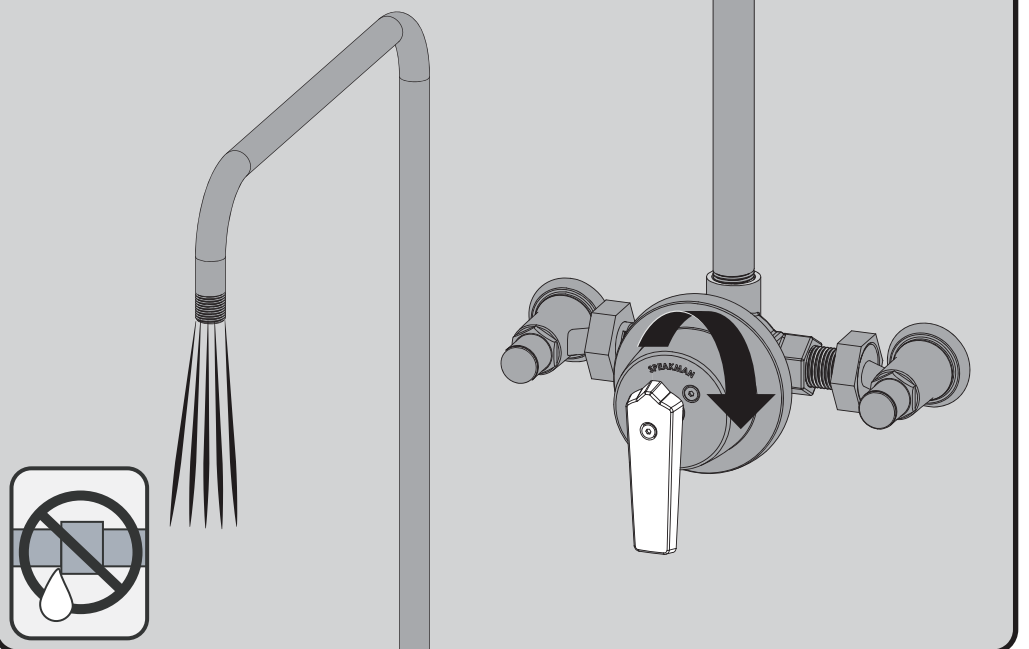


## 11 HANDLE AND DIAL CAP INSTALLATION

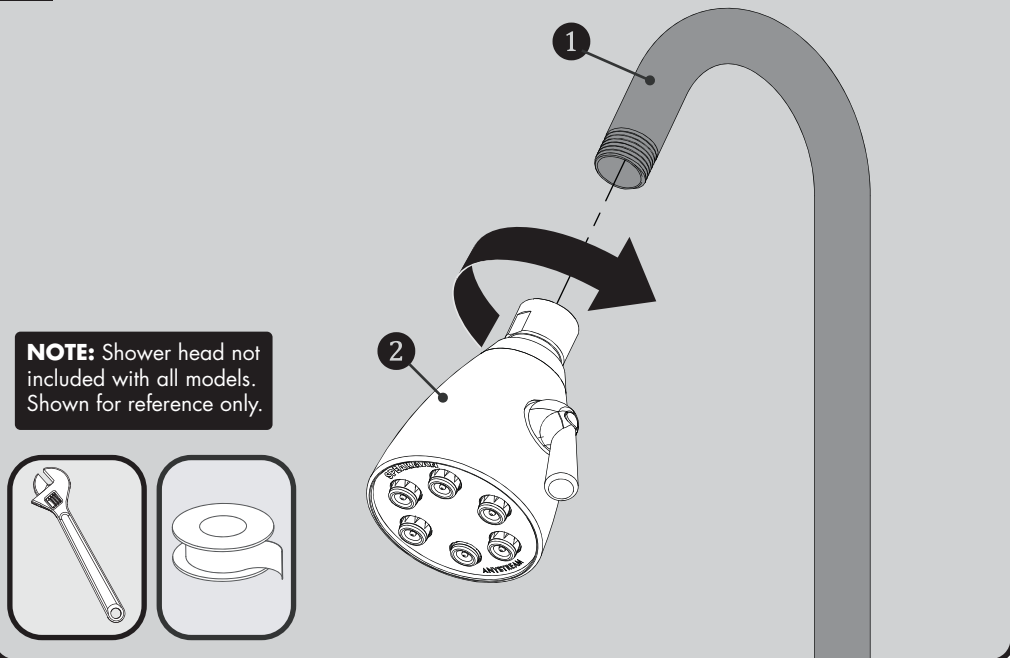
Slide on the Dial Cap (1) onto the Bonnet. Tighten in place with the Dial Cap Screw (2). Slide the Handle (3) onto the Valve post. Then tighten with Handle Screw (1).



12 Turn on water supplies. Turn on Valve to the "WARM" position and flush for 1 minute.

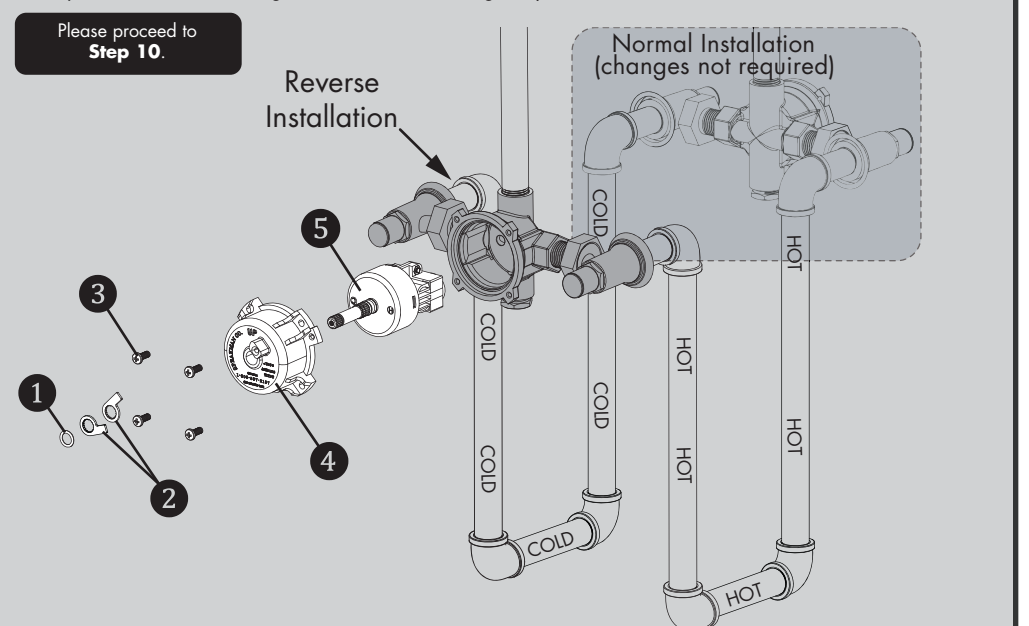


13 **OPTION:** If your unit comes with shower head, apply Thread Seal Tape to threads of Shower Arm (1). Thread Shower Head (2) onto Shower Arm (1) and tighten with Adjustable Wrench. Check all connections for leaks.



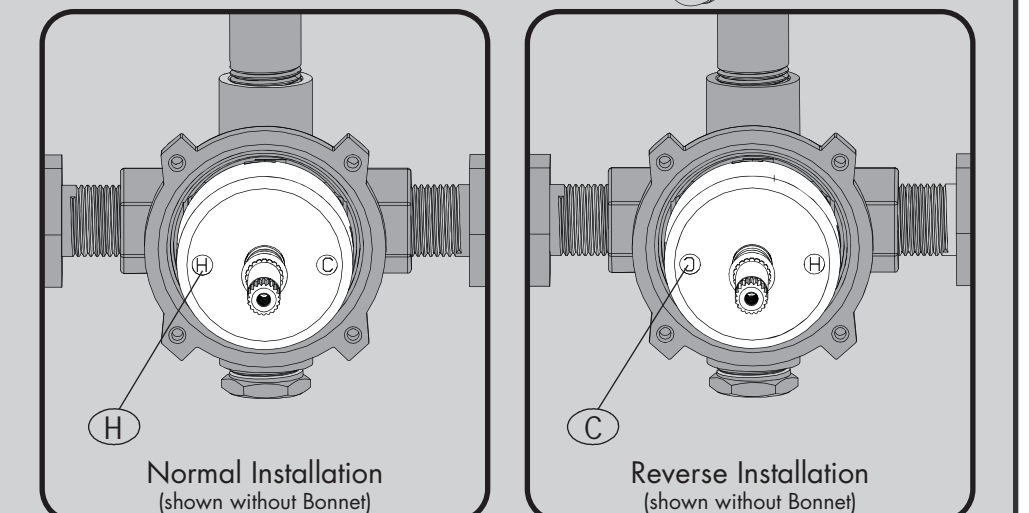
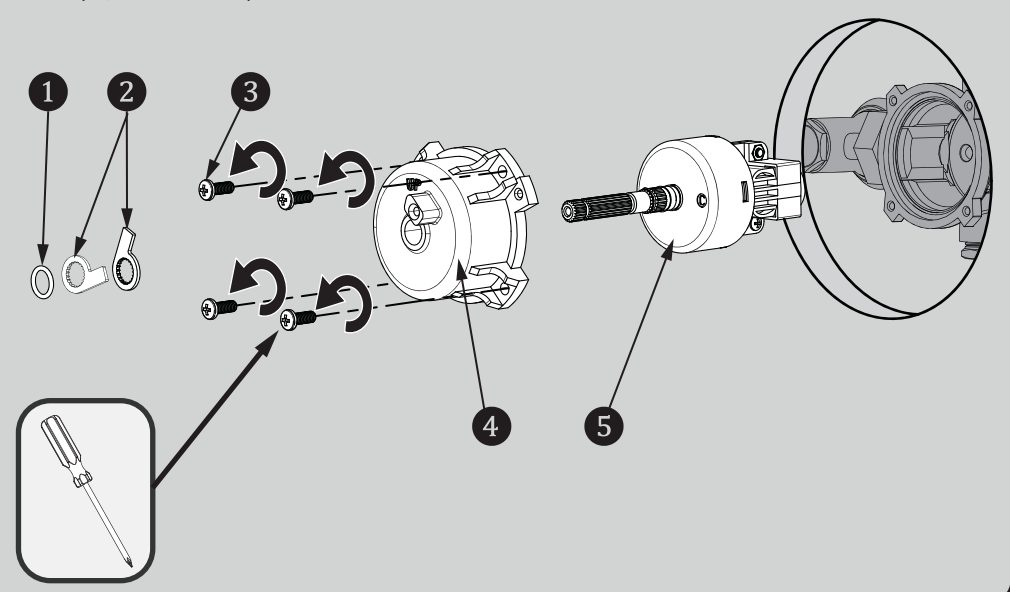
## 14 BACK-TO-BACK INSTALLATION

Your Shower Valve has the ability to be mounted back-to-back with another Valve in a shared space. This means the HOT and COLD inlets may be reversed. Please see the following steps to adapt your valve for back-to-back mounting or reversed inlet supplies. If the HOT and COLD water supplies are reversed (HOT on right and COLD on left), disassemble Valve Cartridge as outlined in **STEP 15**. Rotate Valve Cartridge (5) 180° and reinstall into Valve Body. The "H" marking on the blue Valve Cartridge cover should now be on the right hand side. Reinstall Bonnet (4) and four (4) Bonnet Screws (3), making sure the Large Bonnet O-Ring is in place within the Valve Body. Reinstall TLS Plates (2) and Spindle O-Ring (1). Tighten securely. Take care to not over tighten connection or damage may occur.



## 15 BACK TO BACK INSTALLATION

Remove spindle O-ring (1), TLS plates (2), and four (4) Bonnet Screws (3). Then remove Bonnet (4) and Cartridge Assembly (5) from valve body.



**NOTE: Never install the valve body upside down!**

## SERVICE INSTRUCTIONS

### Service Instructions

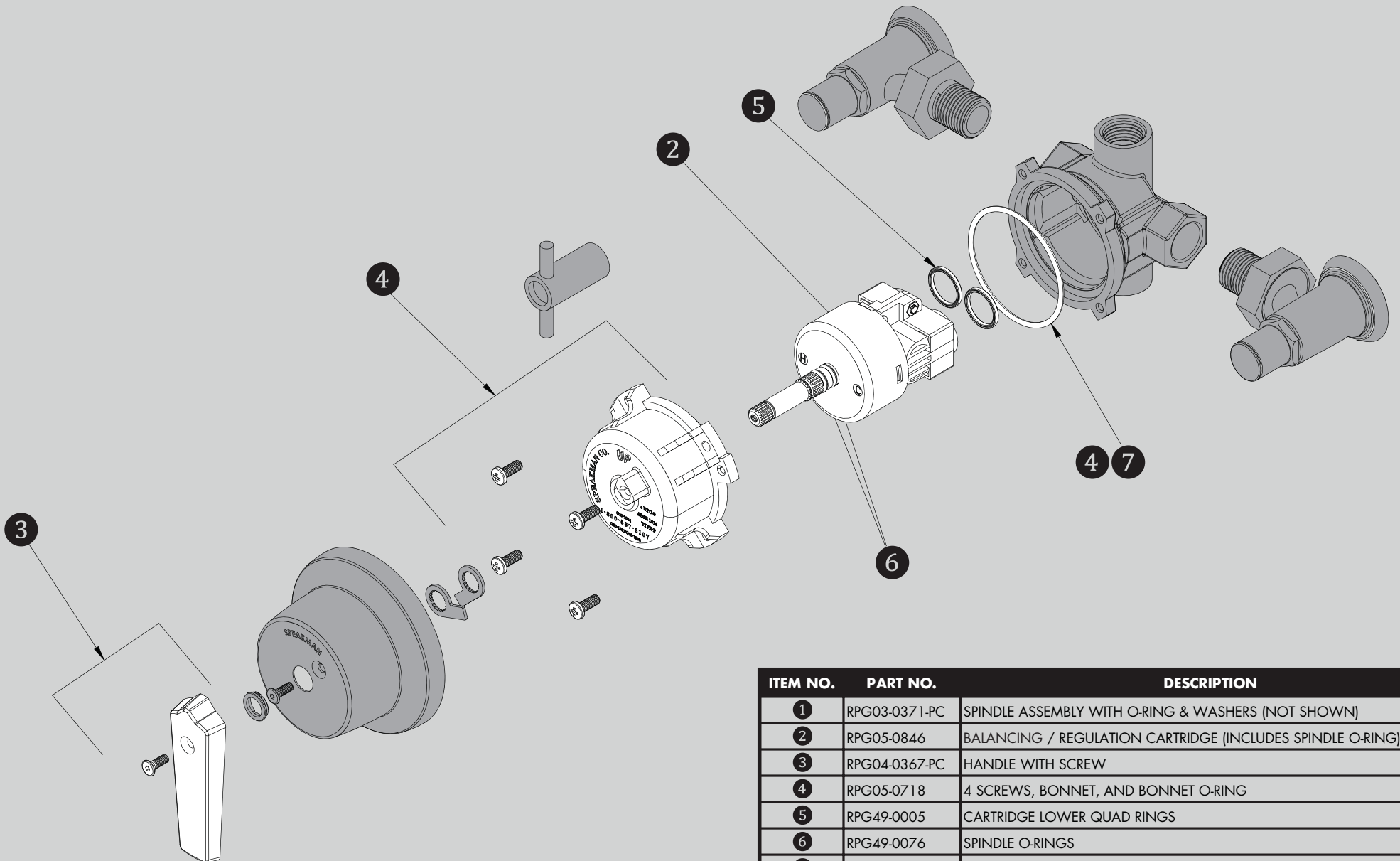
Caution- Any repair or servicing of the Valve may effect the maximum outlet temperature setting of the Valve. After working on the Valve, make sure the maximum outlet temperature is set to the recommended setting of 110 °F.

#### Cartridge Removal: see Step 9 & 15

- 1) Shut off the HOT & COLD water supplies to the Valve. Remove the Handle Screw & Handle. Remove Trim Plate Screw & Trim Plate.
- 2) With the Valve in the "OFF" position, remove the (4) Valve Bonnet Screws. Carefully remove the Bonnet.
- 3) If necessary, remove the Balancing/Regulating Cartridge from the Valve Body by pulling on the Valve Spindle or the Blue Cap of the Cartridge. Make sure the Lower Rubber Quad Rings (2) are installed in the bottom of the Cartridge and not in the Valve Body.
- 4) Replace the necessary parts with new parts. When replacing the Balancing/Regulating Cartridge, make sure that the Rubber Quad-Rings (2) are properly installed in the recesses on the bottom of the Cartridge. These Quad-Rings seal over the hot & cold inlet holes inside the body. When replacing the cartridge, make sure the "H" on the cartridge cover is on the hot supply side and the "C" on the cartridge cover is on the cold supply side.
- 5) Make sure the Large Bonnet O-Ring Seal is installed and seated properly in the Valve Body. Reassemble the Valve Bonnet, making sure the "UP" on the Bonnet is in the up position. Tighten the (4) Bonnet Screws. Turn ON the HOT & COLD water supplies. Check valve for leaks.
- 6) To limit the maximum hot water temperature the valve delivers, adjust the valve's Temperature Limit Stop (TLS) Plate. Slip the Retaining O-Ring and the TLS plate towards the end of the Spindle. Rotate the Valve Handle clockwise to the maximum desired hot water temperature. Position the TLS plate so it contacts the Lug on the Valve Bonnet and therefore restricts the clockwise rotation of the handle. Slip the retaining O-ring back into the groove of the Spindle. Turn off the Valve and remove the Handle.
- 7) Reassemble the Trim Parts, reversing the above procedure.

## S-1495-AF / S-1497-LH REPAIR PARTS

**SPEAKMAN®**



ITEM NO.	PART NO.	DESCRIPTION
1	RPG03-0371-PC	SPINDLE ASSEMBLY WITH O-RING & WASHERS (NOT SHOWN)
2	RPG05-0846	BALANCING / REGULATION CARTRIDGE (INCLUDES SPINDLE O-RING)
3	RPG04-0367-PC	HANDLE WITH SCREW
4	RPG05-0718	4 SCREWS, BONNET, AND BONNET O-RING
5	RPG49-0005	CARTRIDGE LOWER QUAD RINGS
6	RPG49-0076	SPINDLE O-RINGS
7	RPG49-0126	LARGE BONNET O-RING

**S-1495-AF ROUGH-IN DIAGRAM**

**SPEAKMAN®**

**NOTES:**

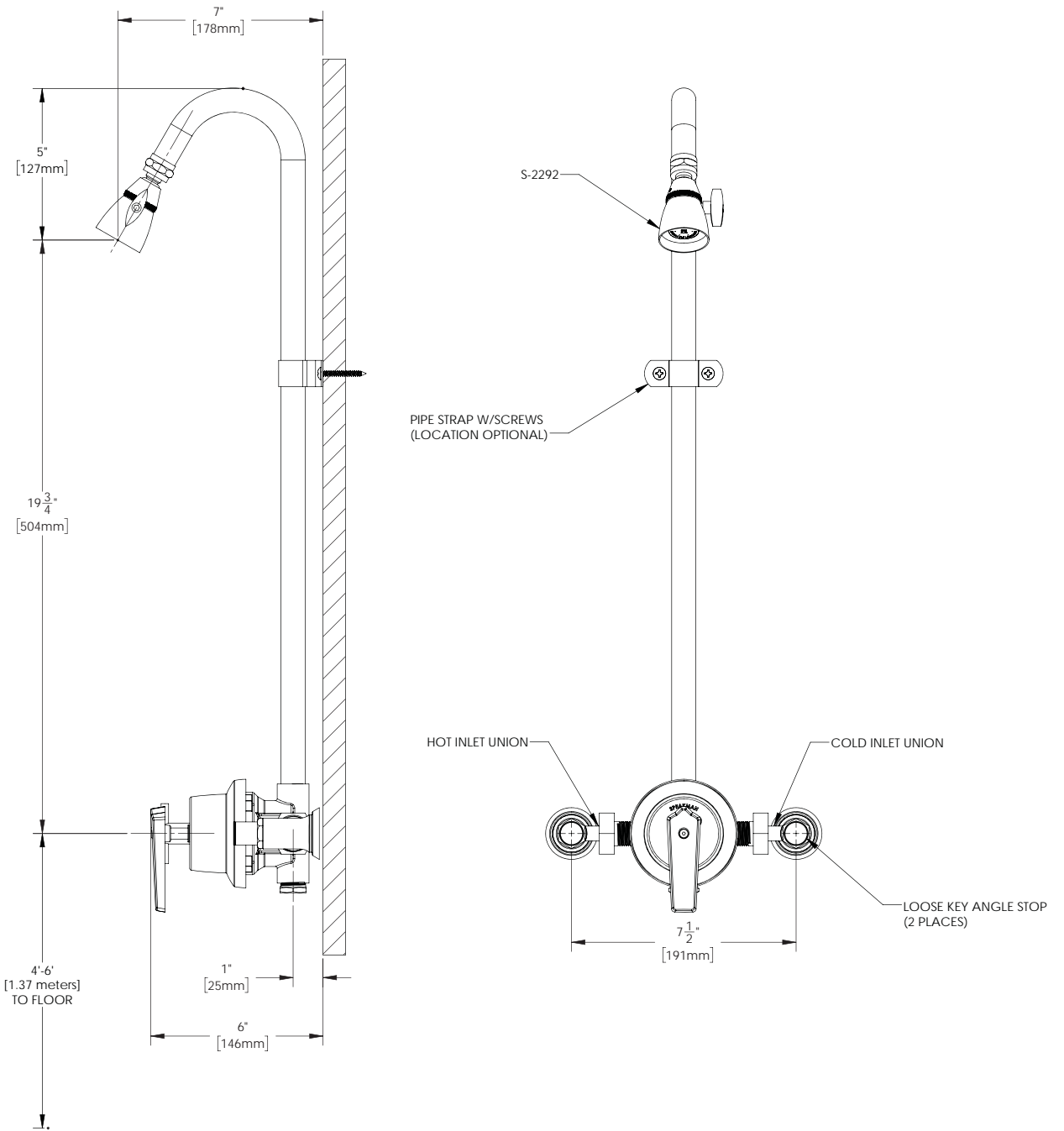
**COMPLIANCE:**

ASME A112.18.1/CSA B 125.1

**CONNECTIONS:**

- Inlet: 1/2" NPT Female
- Outlets: 1/2" NPT Male (Gooseneck)

Contractor to supply necessary inlet connections.



DIMENSIONS SUBJECT TO CHANGE WITHOUT NOTICE.

**S-1497-LH ROUGH-IN DIAGRAM**

**SPEAKMAN®**

**NOTES:**

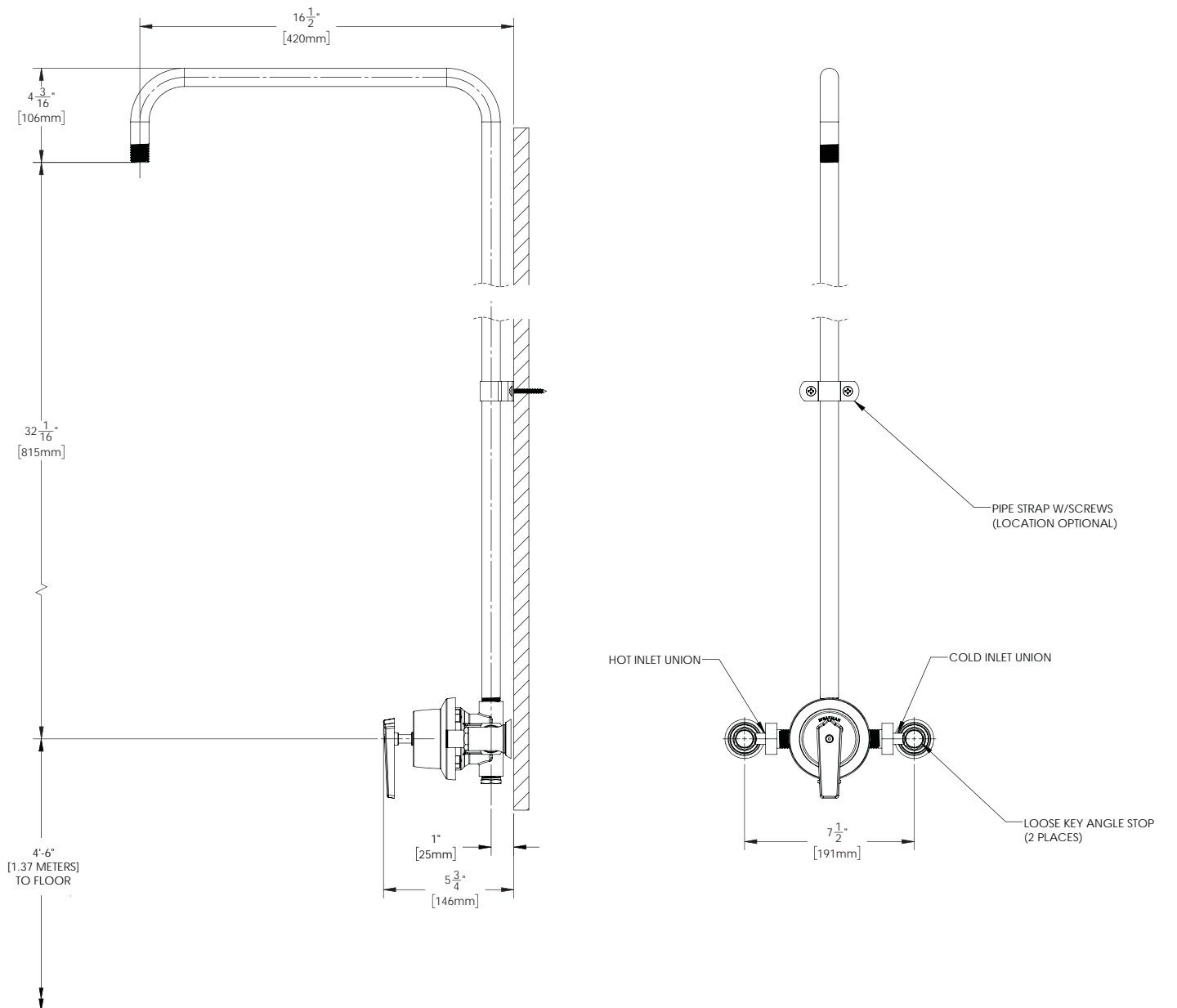
**COMPLIANCE:**

ASME A112.18.1/CSA B 125.1

**CONNECTIONS:**

- Inlet: 1/2" NPT Female
- Outlets: 1/2" NPT Male

Contractor to supply necessary inlet connections.



DIMENSIONS SUBJECT TO CHANGE WITHOUT NOTICE.