

SPEAKMAN® SE-1250

Optimus™ Combination Shower and Eye And Face Wash System

EYEWASH FEATURES:

- Independent eyewash & face wash integrated into one, multi-functioning safety unit.
- Aerated sprays for eyewash comfort & innovative face pads for full face cleansing.
- Flip top dust caps, Stainless Steel bowl
- ½ in. NPT female brass, chrome-plated, full flow stay-open ball valve
- Stainless steel push handle activator
- ½ in. NPT female inlet
- 4.9 gpm @ 30 psi

SHOWER FEATURES

- 8 in. yellow plastic showerhead with 20 gpm internal flow restrictor
- 1 in. NPT female brass, chrome-plated, full flow stay-open ball valve
- Powder coated yellow, aluminum triangular pull rod activator & optional ADA extension
- 1¼ in. IPS galvanized steel piping stanchion & fittings
- 1¼ in. NPT female top or side supply
- 1¼ in. NPT female waste
- High visibility pull rod activates stay-open shower valve & provides hands-free operation
- DuraJade™ powder coated finish on stanchion for durability & enhanced corrosion resistance
- Elevated drain to support easier testing & to eliminate trip hazards
- Includes all components necessary to be installed in either standard height or ADA configuration
- 20 gpm @ 30 psi
- Patent Pending

FINISH:



Yellow DuraJade Stainless Steel

COMPLIANCE:

- Certified to ANSI/ISEA Z358.1
- Wheelchair accessible when installed accordingly

OPTIONS:

Add suffix to model #

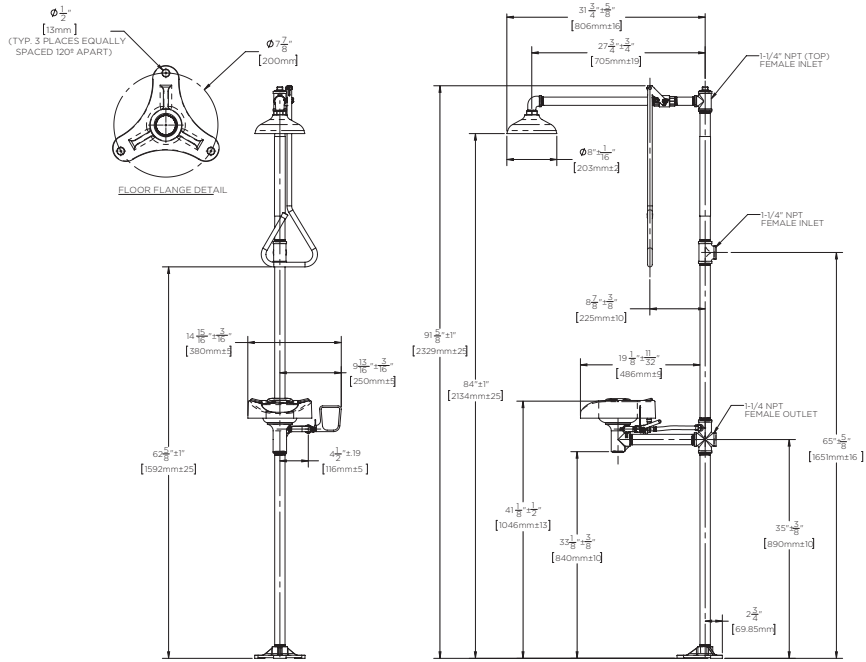
- | | |
|--------------------------------|-------------------------------|
| • Anti-freeze protection valve | <input type="checkbox"/> -FPV |
| • Hand & foot operation | <input type="checkbox"/> -HFO |
| • Hand-held spray | <input type="checkbox"/> -HS |
| • In-line strainer | <input type="checkbox"/> -ILS |
| • P-trap | <input type="checkbox"/> -PT |
| • Scald protection valve | <input type="checkbox"/> -SPV |
| • Stainless steel pull rod | <input type="checkbox"/> -SPR |
| • Stainless steel shower head | <input type="checkbox"/> -SSH |

WARRANTY:

- 3 year limited



STANDARD INSTALLATION ROUGH-IN DIMENSIONS



ADA INSTALLATION ROUGH-IN DIMENSIONS

