

# SPEAKMAN® CPT-3400

## Sentinel Mark II® Pressure Balance Diverter Valve Trim

### FEATURES:

- Includes mounting hardware
- Brass Handles
- Durable brass construction (trim plate)
- Works with Speakman Pressure Balance Valve Model CPV-3400

### FINISH:



PC

### COMPLIANCE:

- Certified to ASME A112.18.1/CSA B125.1

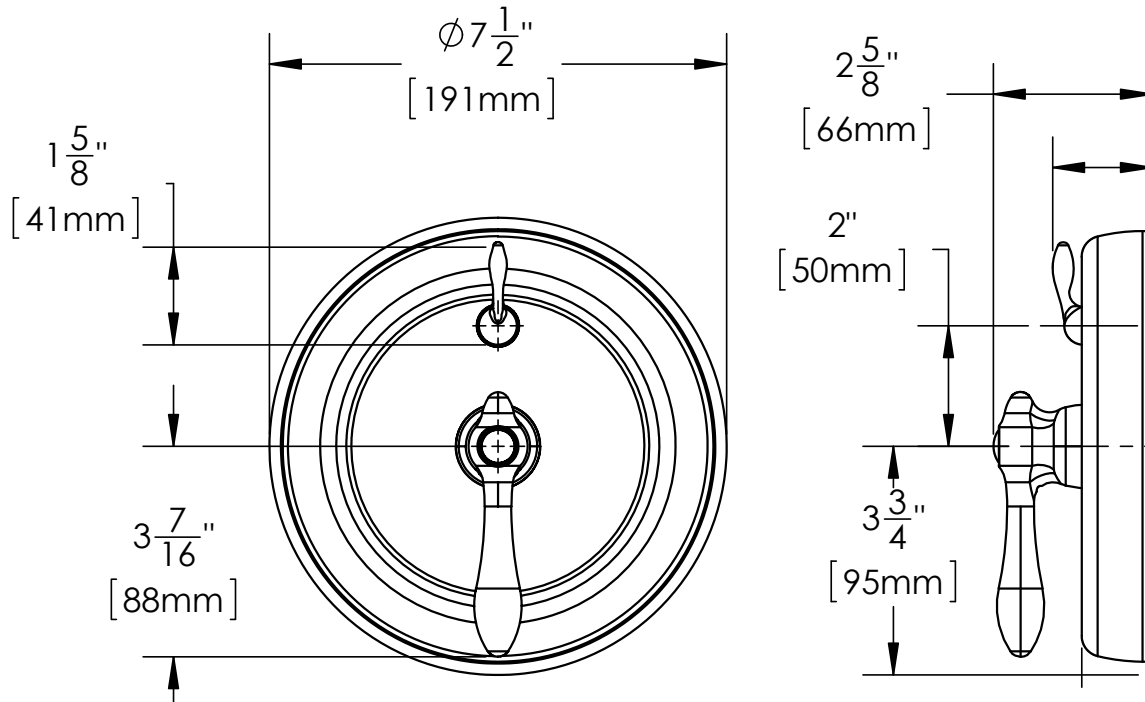
### WARRANTY:

- 5 Year Limited



### DIMENSIONS:

NOTE: 1. All dimensions are in inches (millimeters) unless otherwise specified and are subject to change without notice.



Architect/Engineer Approval Space:

SPEAKMAN  
400 ANCHOR MILL ROAD  
NEW CASTLE, DE 19720

P: 800-537-2107  
F: 800-977-2747  
W: WWW.SPEAKMAN.COM  
R: NOVEMBER 2017