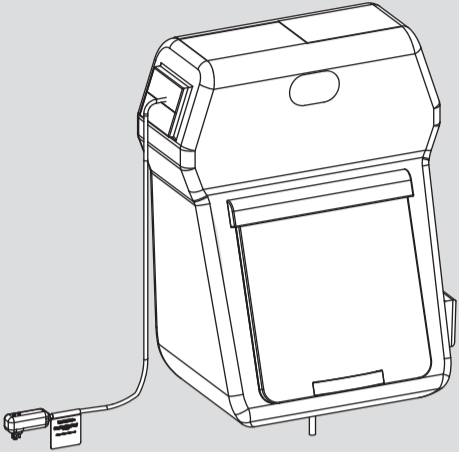


INSTRUCTIONS FOR MODELS

SE-4330 GRAVITYFLO™ Portable Eyewash with Heated Jacket



NEED HELP?

For additional assistance or service please contact:

SPEAKMAN® Company
400 Anchor Mill Road
New Castle, DE 19720

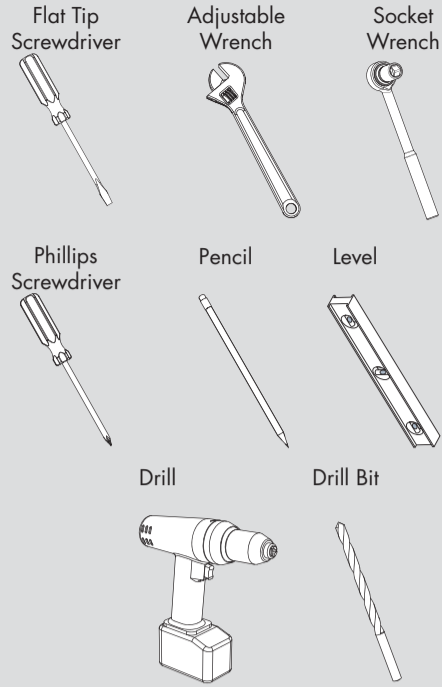
800-537-2107

customerservice@speakman.com

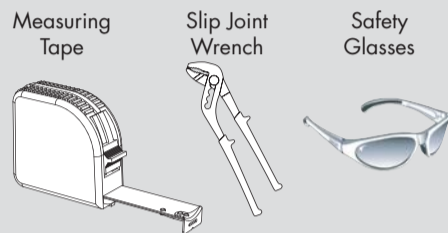
www.speakman.com

92-SE-4330-01

TOOLS AND SUPPLIES



HELPFUL TOOLS & SUPPLIES:



SAFETY TIPS

Be sure to wear eye protection.

WARRANTY

3 Year Limited Warranty
1 Year on the Control Unit/pads/jacket
Additional warranty information can be found at:
www.speakman.com

IMPORTANT

Product is designed to be used indoors and outdoors.

When mounted in outdoor conditions, product must be in a covered area and not directly exposed to outdoor elements such as rain and snow.

ANSI Z358.1 requires that all self-contained eyewash shall be visually inspected weekly, unless the product is placed in environments with extreme conditions that may affect the form, fit, or function of the unit (temperature, dirt, etc.). If this is the case, then the inspection should be conducted more often as the end user deems necessary. Speakman Company furnishes a testing record tag (91-0635) with each unit. On this tag, the date of inspection and the inspectors' initials should be noted. ANSI Z358.1 specifies that the height of the spray heads is to be between 33" - 45" from the floor. The SE-4330 unit weighs approximately 185 lbs filled. Ensure the mounting surface (wall, etc.) and mounting hardware can safely hold a minimum vertical load of 300 lbs. Be sure to read instructions thoroughly before beginning installation. Do not overtighten any connections or damage may occur. The unit should be full at all times, to achieve the minimum 15 minute run time as stated by ANSI, in case of an emergency. Refill the tank to a full level after each activation. Before refilling tank dry and clean outside of spray heads, and inside of pull strap to remove debris, and to assure proper sealing.

WARNING: This units maintains the water temperature within the tepid range of 60-90 F. Depending on the water temperature within the tank and the ambient conditions, it may take up to 24 hours for the water temperature to reach the tepid range during initial start-up. If noted during inspection the water temperature is outside that range, the product should be taken out of service and the condition troubleshooted.

MAINTENANCE

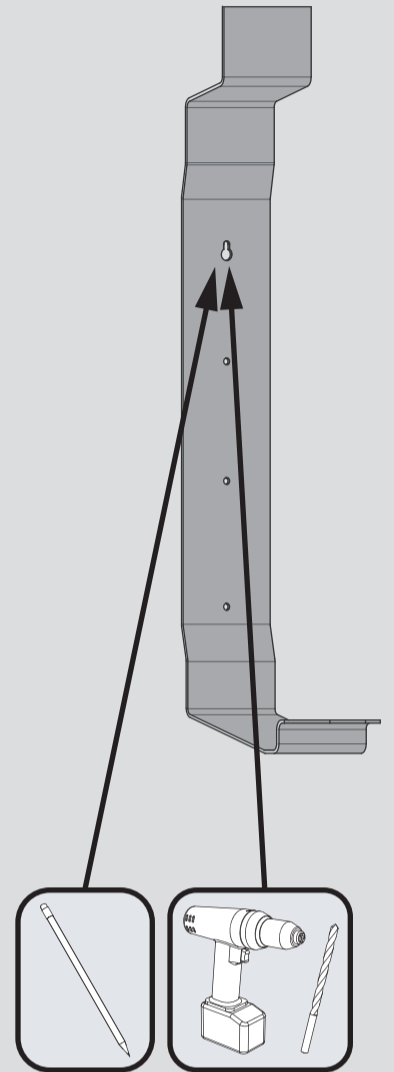
Always disconnect power while servicing the unit and allow the unit to cool down before filling with water.

Occasional cleaning and disinfection is recommended. To clean the inside of the unit, add 1/2 cup (4 fluid oz.) of Clorox (liquid bleach) to a full tank of potable water. Allow the mixture to penetrate for 15 minutes. Drain tank, and rinse thoroughly several times with potable water. Take care to not overtighten drain cap as damage may occur. For further information about Clorox, call toll-free at 1-800-292-2200. Follow refilling instructions in this manual and place the tank back in service. Should any repair part be required, use only genuine SPEAKMAN parts for repair or replacement. See available replacement parts in this document, to order parts call 1-800-537-2107.

As part routine inspection, the unit shall be checked for adequate water level. (Within 5" of the top cap)

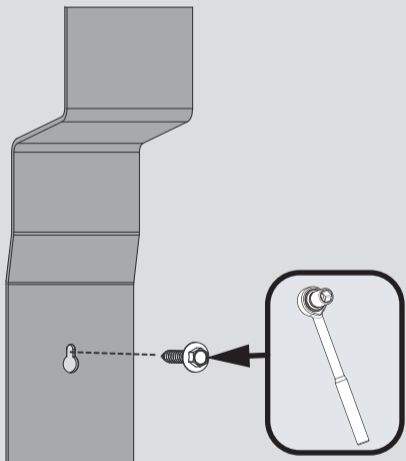
1 Select a suitable location for the SE-4330. **When mounted in outdoor conditions, product must be in a covered area and not directly exposed to outdoor elements such as rain and snow.** After confirming the Spray Head height, refer to the rough-in diagram for Wall Bracket height measurements to determine mounting hole locations for the bracket. Making sure the bracket is level, mark and drill holes in the mounting structure.

Note: Mounting hardware not included. Ensure the mounting surface (wall, etc.) and mounting hardware can safely hold a minimum vertical load of 300 lbs.

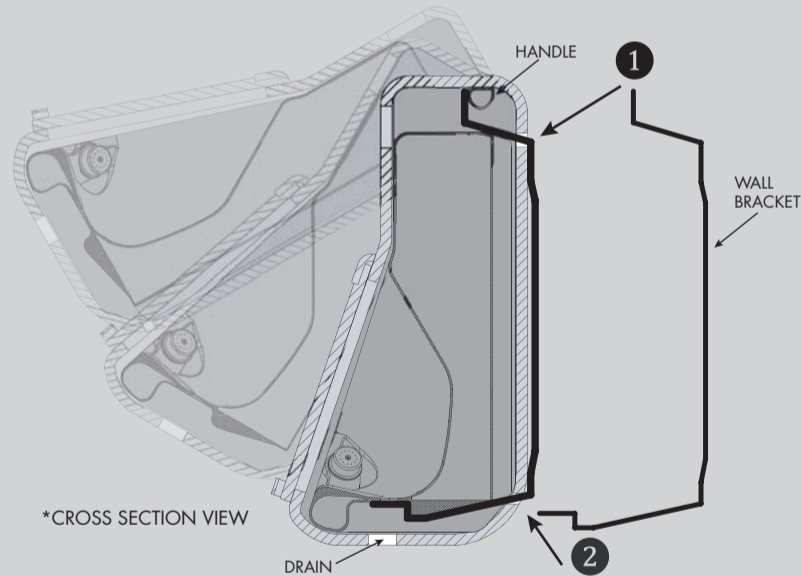


2 Mount the Wall Bracket using appropriate hardware, making sure to torque to manufacturer's specifications, if applicable.

Note: Mounting hardware not included. Ensure the mounting surface (wall, etc.) and mounting hardware can safely hold a minimum vertical load of 300 lbs.

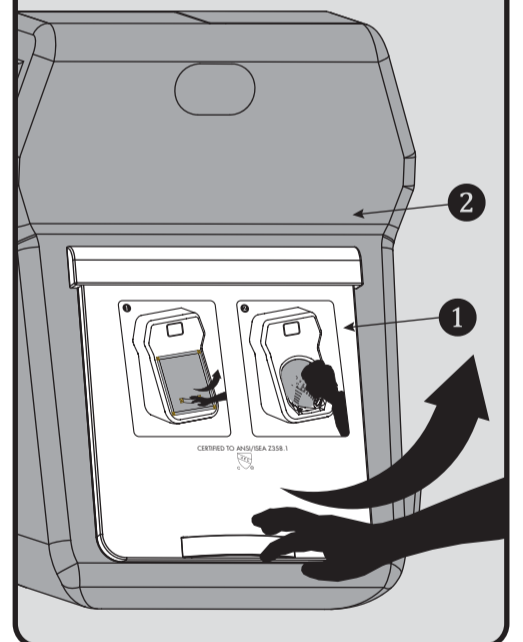


3 Install empty Tank to Wall Bracket by first inserting "hook" on the top of the bracket through the Jacket Slot located at the upper rear of jacket and into the handle of the Tank (1). Lower the Tank inserting the lower bracket section through the Jacket Slot and under the Tank. Push the Tank towards the bracket until the Wall Bracket snaps into the recess at the bottom of the Tank (2).

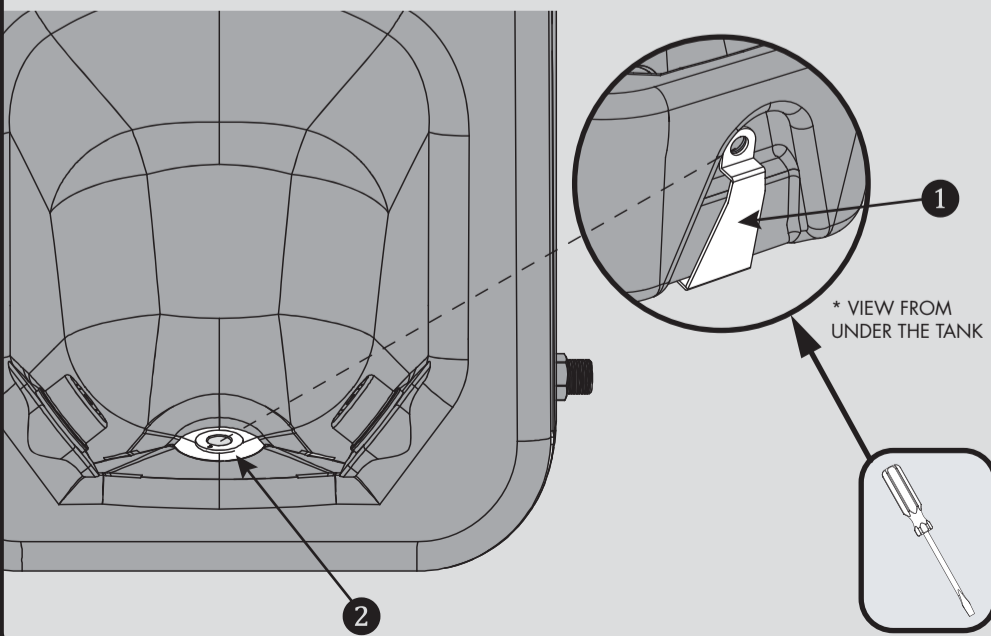


*CROSS SECTION VIEW

4 Remove the Front Access Panel (1) from the Jacket (2).

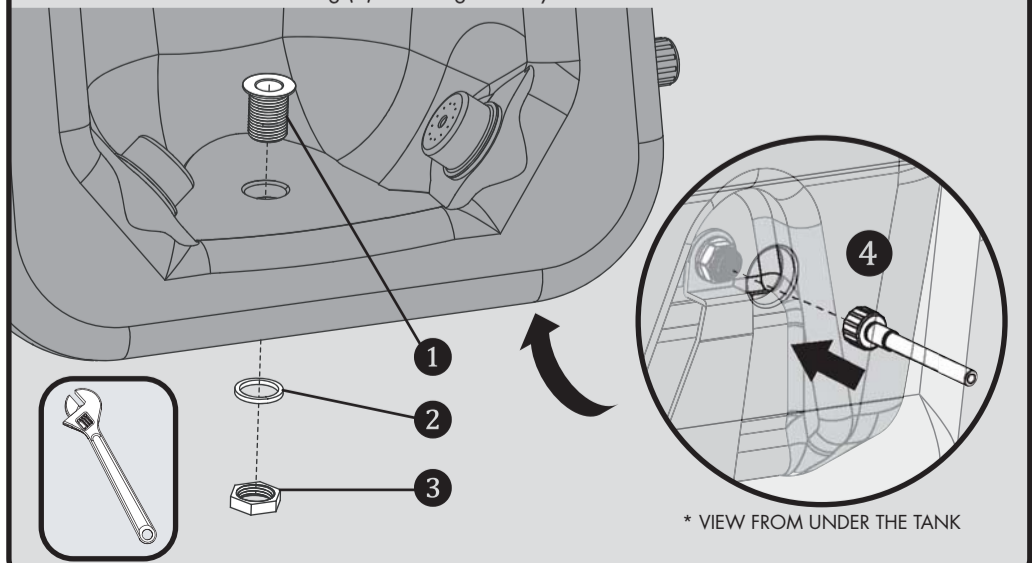


5 Use a flat head screw driver to ensure that the Bracket (1) and the tank's Drain Hole (2) align. The Front Access Panel will need to be removed for this process.

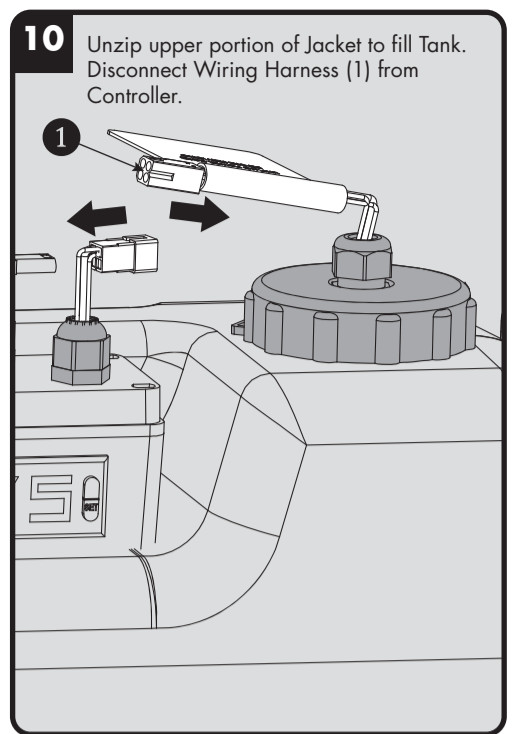
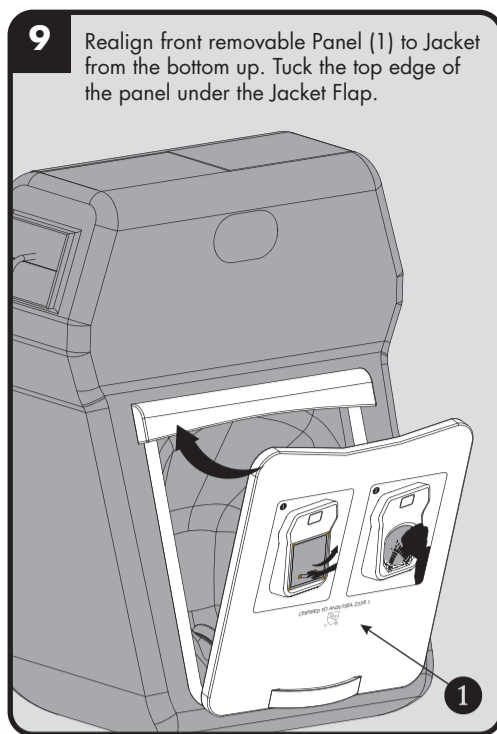
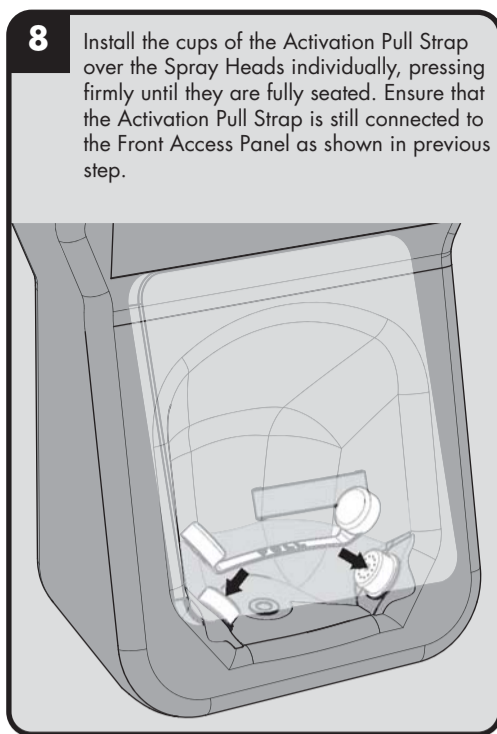
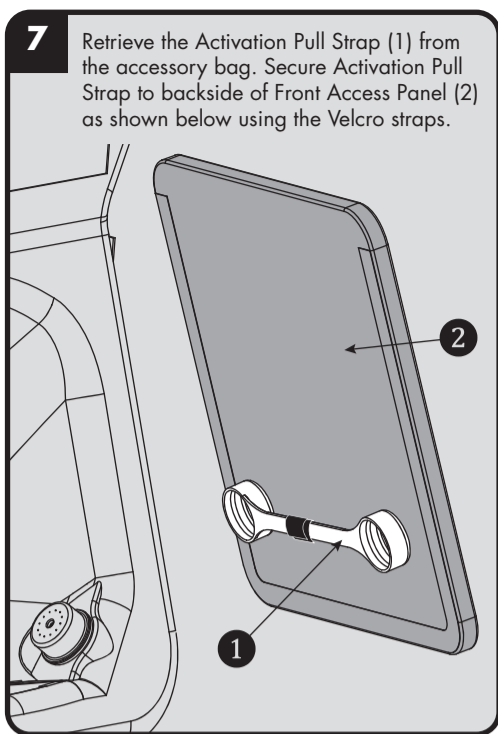


* VIEW FROM UNDER THE TANK

6 Insert Drain Fitting (1) through openings in the Tank and Wall Bracket. From below, reaching between the Jacket and the Tank, install Drain Washer (2) and Drain Nut (3) to threaded portion of Drain. Wrench tighten. Take care to not over tighten or damage may occur. Retrieve Drain Hose (4) from parts accessory bag. Slide threaded Drain Hose (4) through hole in Jacket bottom and secure to Drain Fitting (1). Hand tighten only.



* VIEW FROM UNDER THE TANK



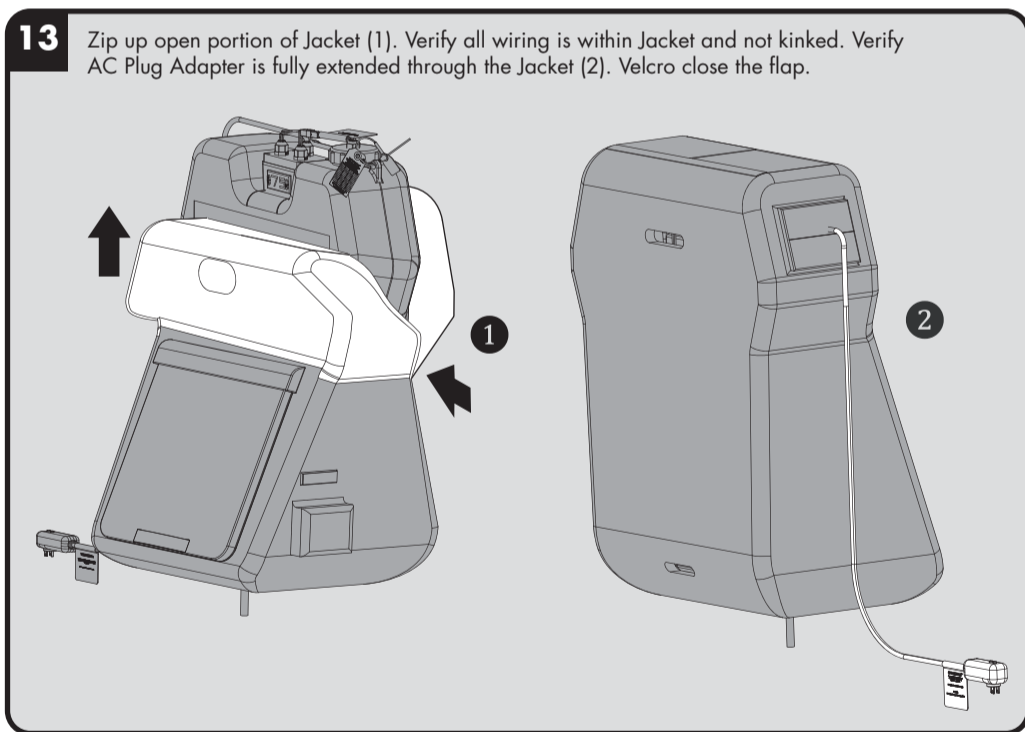
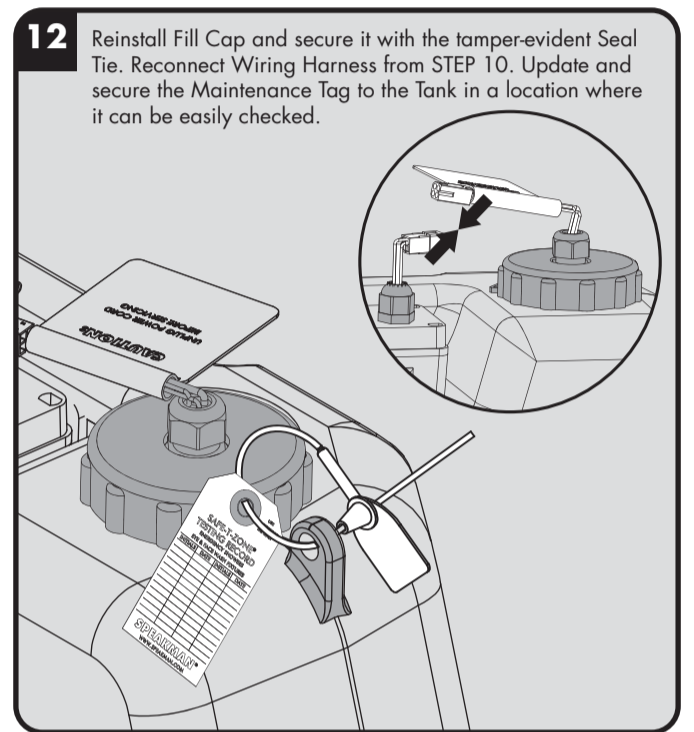
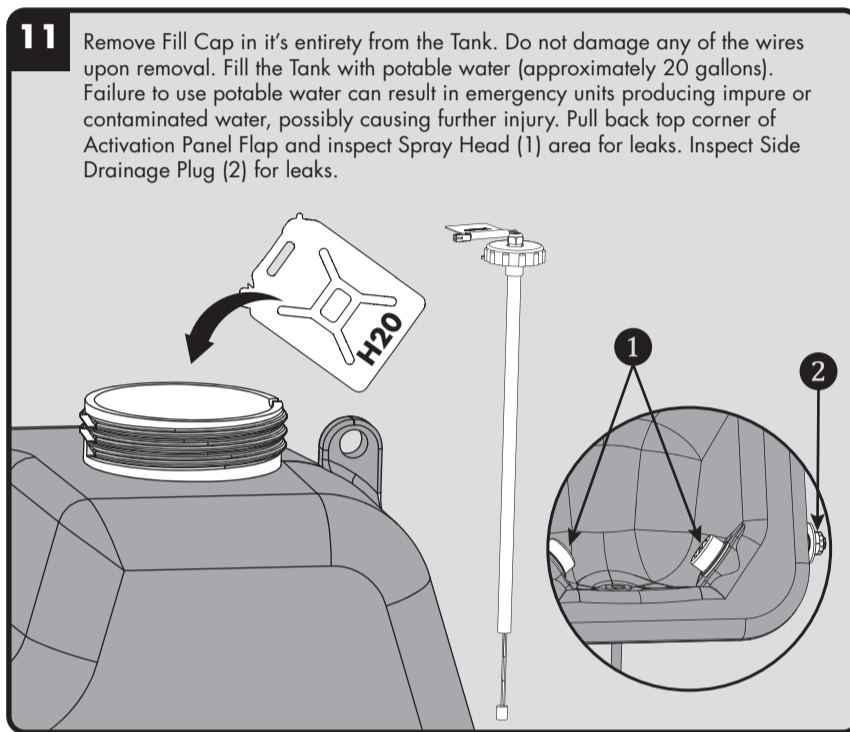
IMPORTANT

Self-contained eyewash equipment shall be visually checked frequently to determine if flushing fluid needs to be changed or supplemented. Frequency of these inspections is dependent on environment conditions, but at a minimum weekly. Failure to conduct visual checks could lead to further injury.

Customer shall take precautions to help prevent the growth of potentially harmful bacteria in eyewash tanks. Either of the following procedures is recommended.

Procedure 1: Use suitable Bacteriostatic preservative to help prevent growth of bacteria in eyewash tank. Eyewash tank should be drained, flushed and refilled with clean potable water and Bacteriostatic preservative added as directed by the preservative's manufacturer.

Procedure 2: Drain, flush and refill units with clean potable water at least once every week unless site conditions require more frequent changing. Thoroughly cleanse tank at least once every month. See "Maintenance" Section for further information of cleaning unit.



ACTIVATION INSTRUCTIONS

STEP 1: Follow instructions shown on the front of the jacket Access Panel.

STEP 2: To activate the flow of water, firmly remove the front panel as shown. Fully removing both covers from the Spray Heads.

14 Plug the unit into the power supply.

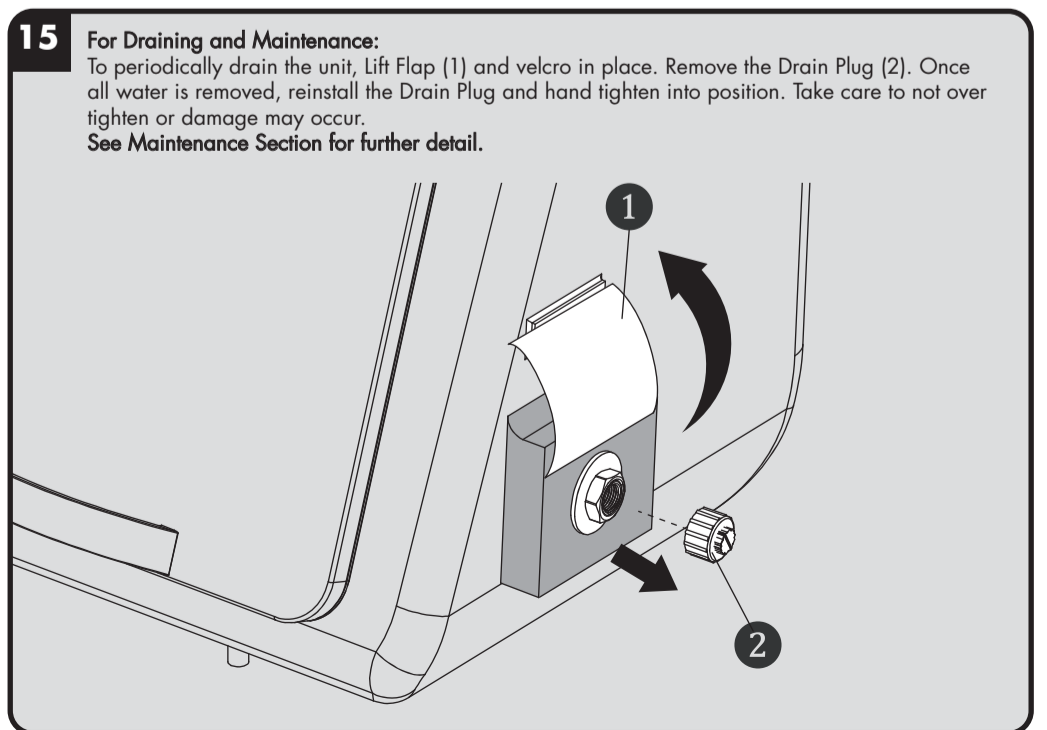
AC Electrical Supply
The Ground Fault Circuit Interrupter (GFCI) plug is to be used in accordance with appropriate electric codes and regulations. Use this device with a grounded circuit receptacle rated at 120VAC, 15A.

The GFCI device protects against current leakage caused by ground faults only. It does not protect against over current or short circuits.

TEST INSTRUCTIONS

1. Plug device into receptacle.
 - a. AUTO-RESET devices: Pilot light goes ON.
2. Press test button – Pilot light must go OFF.
3. Press reset button and release – Pilot light must go ON for use.

CAUTION: Do not use this device if above test fails. Test unit before each use.



* CONTROLLER SETTINGS ARE PRE-SET FROM FACTORY *

NOTE: During initial startup, the water temperature may not be in the tepid range (60-90 F). Once plugged in, the heating unit will warm the temperature up to the tepid range. Depending on the water temperature within the tank and the ambient conditions, it may take up to 24 hours for the water temperature to reach the tepid range.

AC Electrical Supply

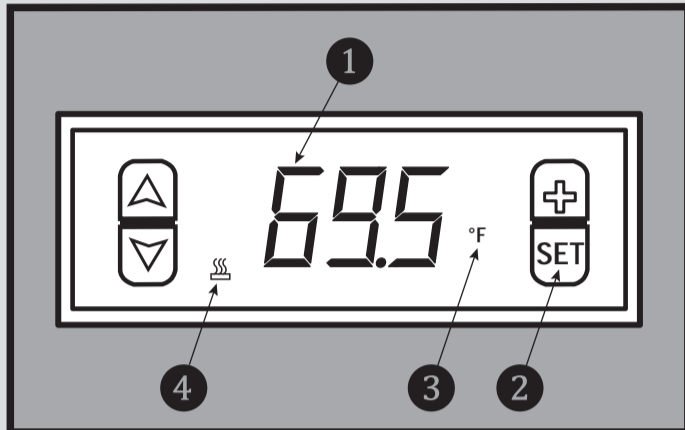
The Ground Fault Circuit Interrupter (GFCI) plug is to be used in accordance with appropriate electric codes and regulations. Use this device with a grounded circuit receptacle rated at 120VAC, 15A.

The GFCI device protects against current leakage caused by ground faults only. It does not protect against over current or short circuits.

TEST INSTRUCTIONS

1. Plug device into receptacle.
 - a. AUTO-RESET devices: Pilot light goes on.
 2. Press test button – Pilot light must go off.
 3. Press reset button and release – Pilot light must go ON for use.
- CAUTION: Do not use this device if above test fails. Test unit before each use.

NORMAL DISPLAY MODE



- 1 CURRENT WATER TEMPERATURE
- 2 TEMPERATURE SET BUTTON
- 3 TEMPERATURE UNITS
- 4 HEATER ON INDICATOR

Default Settings:

SET Point = 75° F

Lower Limit = 60° F

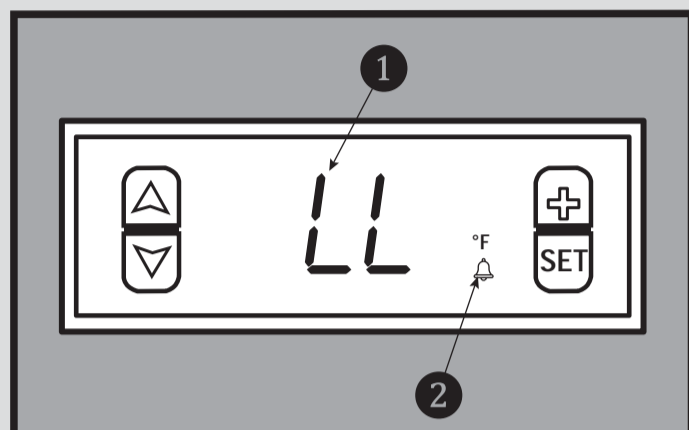
Upper Limit = 90° F

Turn unit on: Current / Actual water temperature will be displayed (1).

Temperature units to be in Fahrenheit (°F) (3).

Heating function indicator displayed means heater is on (4).

FAILURE MODE



- 1 FAILURE INDICATOR DISPLAY
- 2 FLASHING ALARM INDICATOR

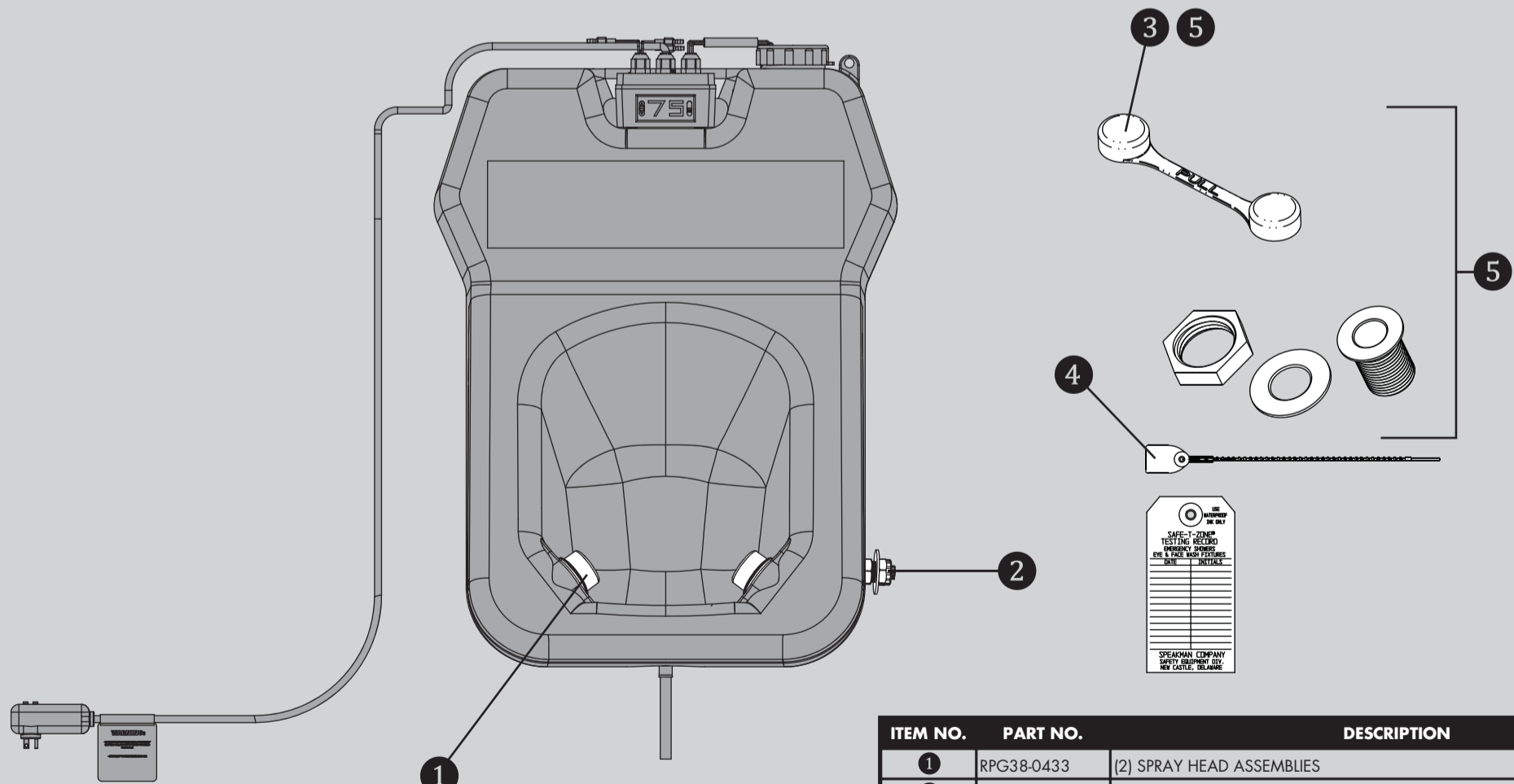
When the thermostat is disconnected or open circuit is detected, "LL" (1) is displayed and alarm LED (2) will flash.

TROUBLESHOOT

Confirm wiring connectors from heater pad to controller are mated properly.

Confirm wiring connectors from thermostat to controller are mated properly.

SE-4330 REPAIR PARTS



ITEM NO.	PART NO.	DESCRIPTION
1	RPG38-0433	(2) SPRAY HEAD ASSEMBLIES
2	08-105614	1/2" NPT MALE PLUG
3	RPG56-0039	PULL STRAP ACTIVATOR
4	RPG05-0935	(3) 12" TAMPER EVIDENT SEAL TIES
5	RPG05-0901	PULL STRAP ACTIVATOR & DRAIN BULKHEAD FITTING

NOTES:

COMPLIANCE:

ANSI Z358.1

FLOW DATA:

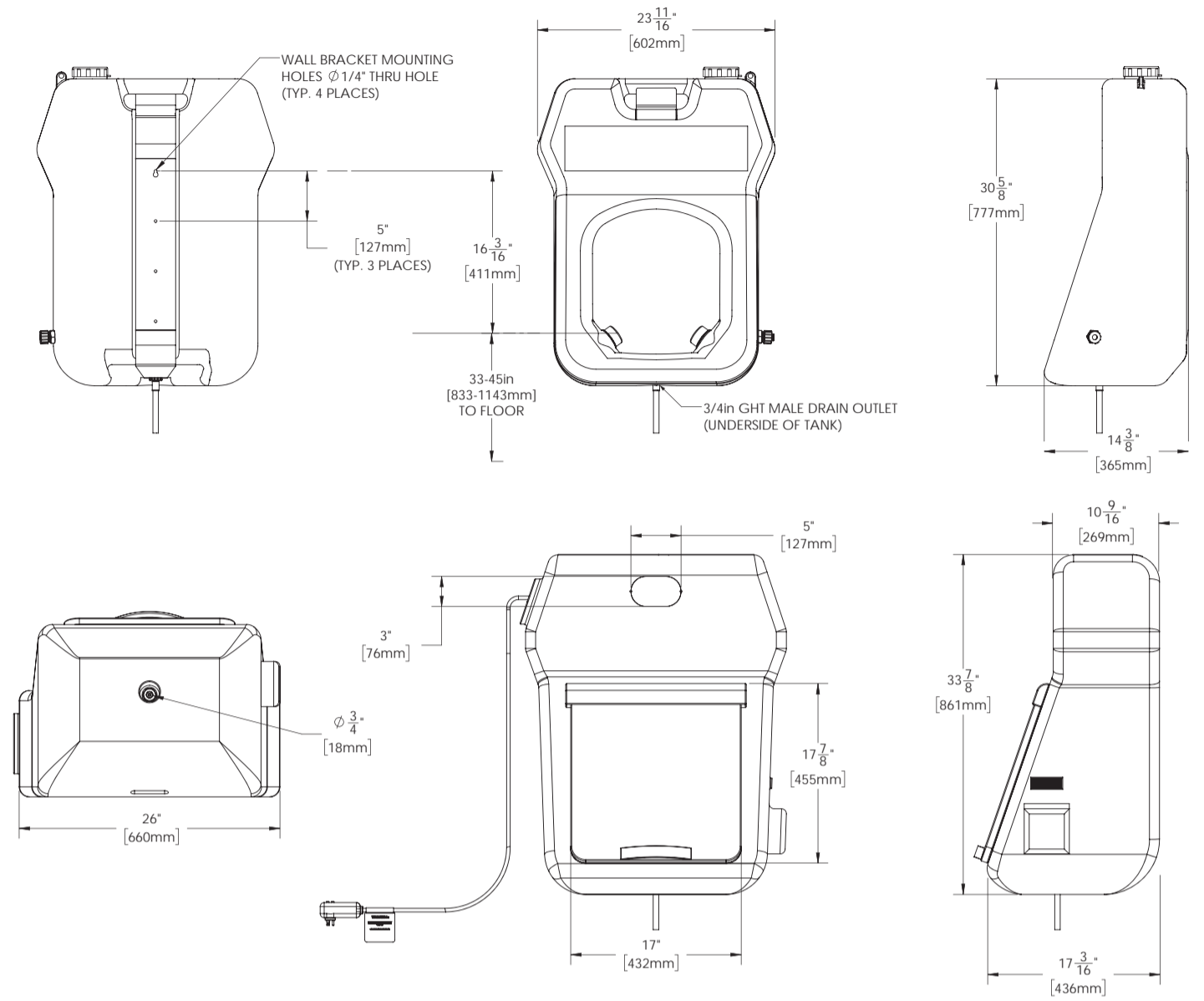
RUN TIME (FULL TANK):
15 MINUTES (minimum)

FLOW RATE IN gpm (L/min):
.4 (1.5) MINIMUM

MAX ELECTRICAL RATINGS:

120VAC, 60Hz.
15A, 220W

Contractor to supply necessary inlet connections.



DIMENSIONS SUBJECT TO CHANGE WITHOUT NOTICE.