

Freeze Protection Valve (FPV) & Scald Protection Valve (SPV)

**MODELS:**

- FPV: Freeze Protection Valve
- FPV-SS: Stainless Steel Freeze Protection Valve
- SPV: Scald Protection Valve
- SPV-SS: Stainless Steel Scald Protection Valve

**FPV FEATURES:**

- Prevents the equipment from freezing by regulating water temperature above freezing conditions
- Valve activates when water falls below 39°F (3.8°C)
- FPV Activation/Deactivation Ranges:  
Design Working Temperature: -22°F - 176°F (-30° - 80°C)  
Initial Opening: 39°F (3.8°C)  
Full Open: 35°F (1.6°C)  
Full Close: 45°F (7.2°C)
- Brass or 304 stainless steel body



FPV

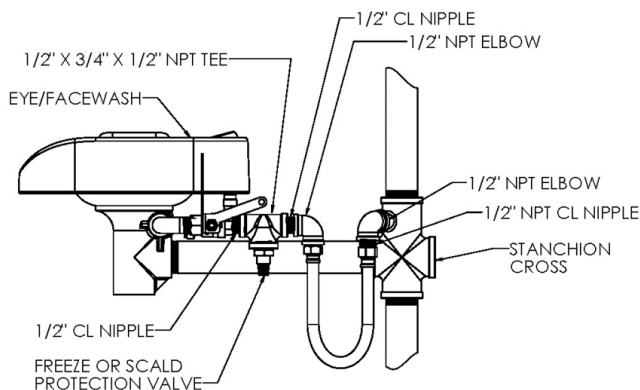
SPV

**SPV FEATURES:**

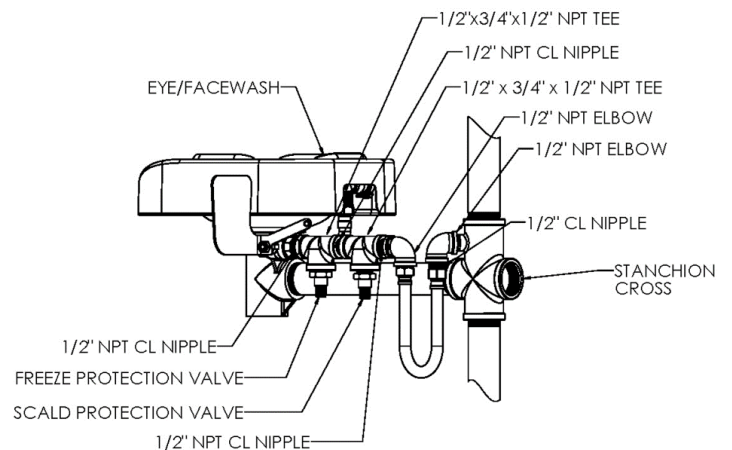
- Prevents the equipment from delivering scalding water by regulating water temperature below scalding conditions
- Valve activates when water rises above 98°F (36.7°C)
- SPV Activation/Deactivation Ranges:  
Design Working Temperature: -22°F - 176°F (-30° - 80°C)  
Initial Opening: 38°F (36.7°C)  
Full Open: 110°F (43.3°C)  
Full Close: 95°F (35°C)
- Brass or 304 stainless steel body

**DIMENSIONS:** NOTE: 1. All dimensions are in inches (millimeters) unless otherwise specified and are subject to change without notice.

WITH ONE TYPE PROTECTION VALVE



WITH BOTH PROTECTION VALVES



Architect/Engineer Approval Space:

SPEAKMAN  
 400 ANCHOR MILL ROAD  
 NEW CASTLE, DE 19720

P: 800-537-2107  
 F: 800-977-2747  
 W: WWW.SPEAKMAN.COM  
 R: NOVEMBER 2017