

SPEAKMAN® SE-1255

Optimus™ Combination Shower and Eye And Face Wash System

EYEWASH FEATURES:

- Independent eyewash & face wash integrated into one, multi-functioning safety unit.
- Aerated sprays for eyewash comfort & innovative face pads for full face cleansing.
- Flip top dust caps, stainless steel eye and face wash unit
- ½ in. NPT female stainless steel full flow stay-open ball valve
- Stainless steel push handle activator
- ½ in. NPT female inlet
- 4.9 gpm @ 30 psi

SHOWER FEATURES

- 8 in. stainless steel showerhead with 20 gpm internal flow restrictor
- 1 in. NPT female stainless steel, full flow stay-open ball valve
- Stainless steel triangular pull rod activator & optional ADA extension
- 1¼ in. IPS stainless steel piping stanchion & fittings
- 1¼ in. NPT female top or side supply
- 1¼ in. NPT female waste
- Pull rod activates stay-open shower valve & provides hands-free operation
- Stainless steel stanchion for added durability & corrosion resistance
- Elevated drain to support easier testing & to eliminate trip hazards
- Includes all components necessary to be installed in either standard height or ADA configuration
- 20 gpm @ 30 psi
- Patent Pending

FINISH:



All Stainless Steel

COMPLIANCE:

- Certified to ANSI/ISEA Z358.1
- Wheelchair accessible when installed accordingly

OPTIONS:

Add suffix to model #

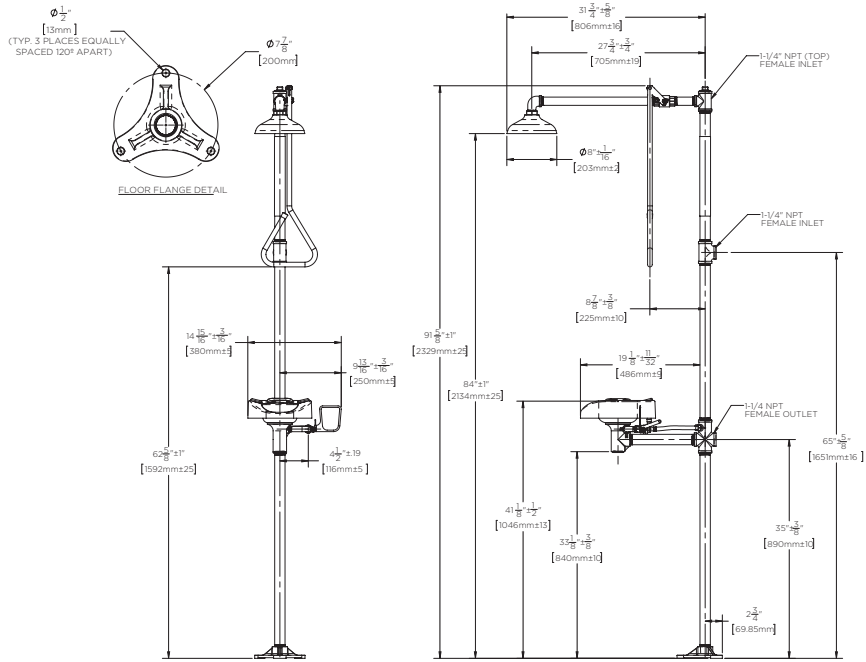
- Anti-freeze protection valve -FPV
- Hand & foot operation -HFO
- Hand-held spray -HS
- In-line strainer -ILS
- P-trap -PT
- Scald protection valve -SPV

WARRANTY:

- 3 year limited



STANDARD INSTALLATION ROUGH-IN DIMENSIONS



ADA INSTALLATION ROUGH-IN DIMENSIONS

