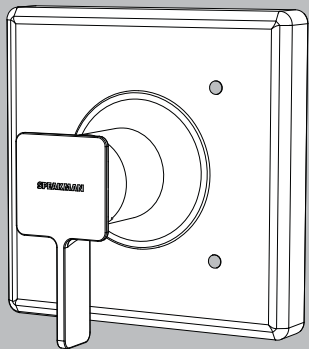
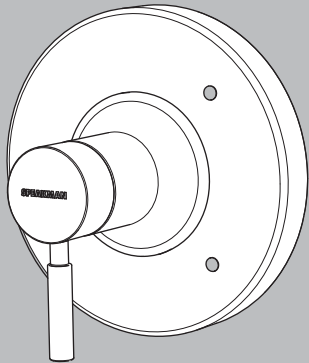


INSTRUCTIONS FOR MODELS

CPT-1000-UNI
CPT-1300-UNI
Delta Installation



NEED HELP?

For additional assistance or service please contact:

SPEAKMAN® Company
400 Anchor Mill Road
New Castle, DE 19720

800-537-2107

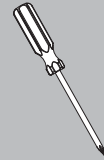
customerservice@speakman.com

www.speakman.com

92-CPT-1000-UNI-ALL-02.pdf

TOOLS AND SUPPLIES

Phillips
Screwdriver



IMPORTANT



• Verify that existing Valve is installed correctly per manufacturers instructions. If valve is not installed correctly, installation of the Universal Valve Trim may not be possible.

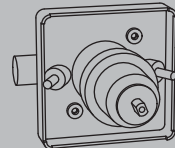
• Circular Trim Package shown for reference. While the appearance of your trim may be different, the installation steps are the same.

• This Trim Package is intended to mount only to the following Delta valves. Please verify the model of your valve prior to installation.

DELTA® MultiChoice®

R10000-UNBX
R10000-UNBXHF
R10000-UNWS
R10000-UN
R10000-UNWSHF

*NOT FOR USE WITH DIVERTER/VOLUME CONTROL MODELS



SAFETY TIPS

Cover your drain to prevent loss of parts. Be sure to always wear proper eye protection.

MAINTENANCE

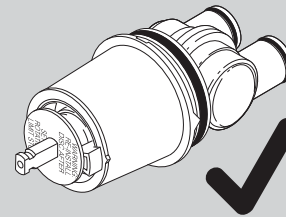
Your new Valve Trim is designed for years of trouble-free performance. Keep it looking new by cleaning it periodically with a soft cloth. Avoid abrasive cleaners, steel wool, and harsh chemicals as these will dull the finish and void your warranty.

WARRANTY

Additional warranty information can be found at: www.speakman.com

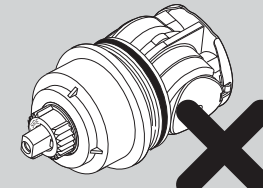
1 Verify that your existing Delta Valve has the correct Cartridge installed. The Universal Valve Trim will only work with Delta's single function cartridge. If your Valve has a Dual Function Cartridge, you must replace the cartridge with a Delta 1300/1400 Series Cartridge.

CORRECT SINGLE FUNCTION
CARTRIDGE TO USE.



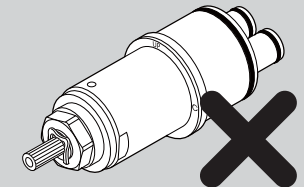
1300/1400 CARTRIDGE
OR
1300/1400 MULTI-CHOICE CARTRIDGE

DUAL FUNCTION CARTRIDGE
**CANNOT BE USED WITH SPEAKMAN
UNIVERSAL VALVE TRIM**
REPLACE WITH 1300/1400 CARTRIDGE
OR 1300/1400 MULTI-CHOICE CARTRIDGE



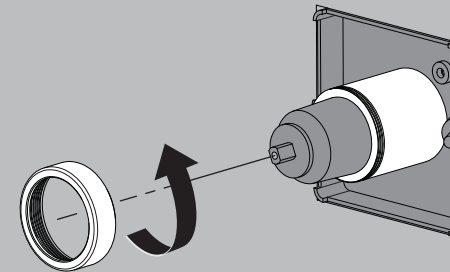
1700 CARTRIDGE
OR
17 MULTI-CHOICE CARTRIDGE

DUAL FUNCTION THERMOSTATIC
CARTRIDGE **CANNOT BE USED WITH
SPEAKMAN UNIVERSAL VALVE TRIM.**
REPLACE WITH 1300/1400 CARTRIDGE
OR 1300/1400 MULTI-CHOICE CARTRIDGE

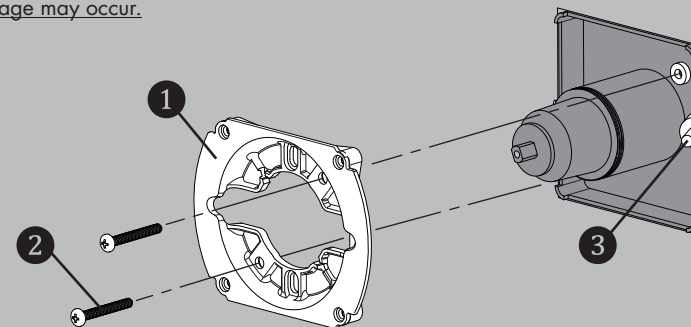


17T CARTRIDGE

2 Remove existing Delta Trim Package. Unthread and remove existing Bonnet Collar from Delta Valve.

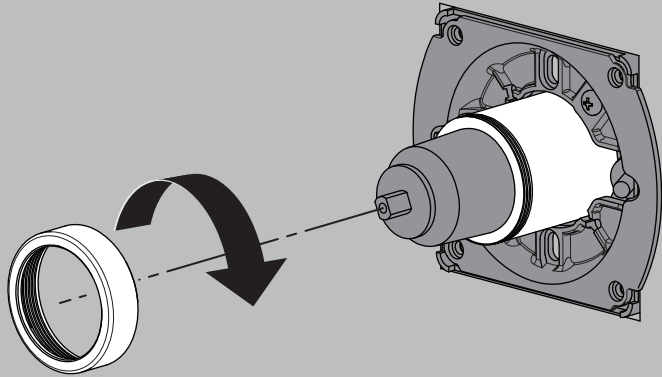


3 Clean front surface of wall. Ensure that the Delta Valve Stops (3) are in the open position by unthreading Valve Stop counter-clockwise. Install Valve Mounting Plate (1) to existing Delta Valve, using the 10-24 x 1-1/2" screws (2) provided. Take care to not over tighten mounting screws or damage may occur.

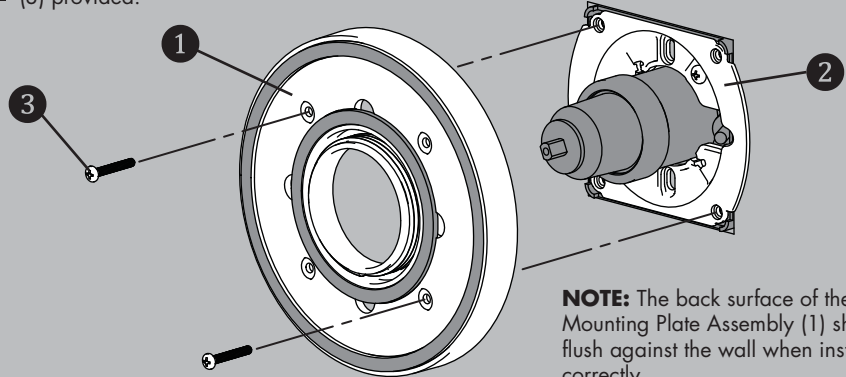


NOTE: Depending on the mounting depth of the Delta Valve, the Valve Mounting Plate (1) may contact either the surface of the wall, or the Plaster Guard of the Delta Valve when secured into the final position.

4 Re-assemble the Bonnet Collar to the Delta Valve.

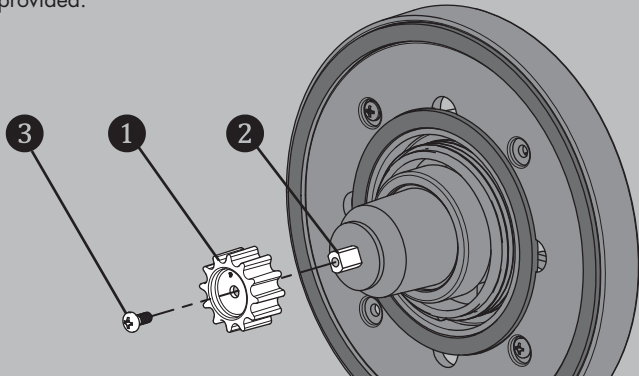


5 Secure the Wall Mounting Plate (1) to the Valve Mounting Plate (2) using the 8-32 X 1-1/8" Screws (3) provided.

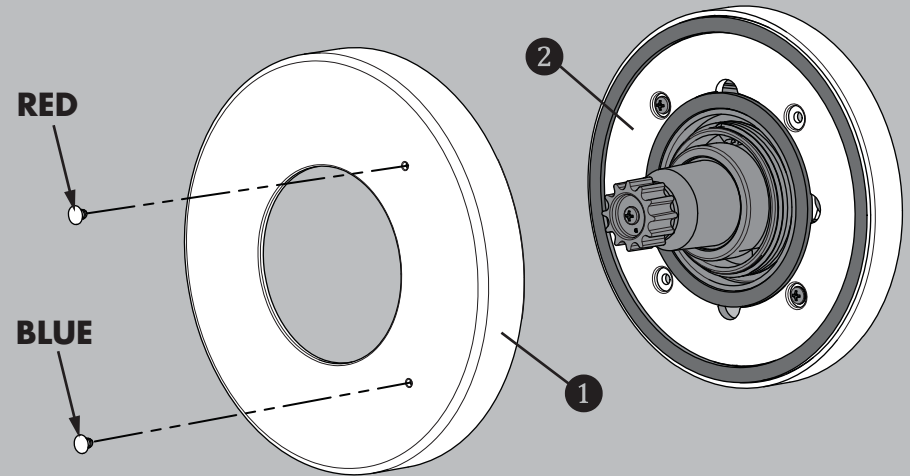


NOTE: The back surface of the Valve Mounting Plate Assembly (1) should sit flush against the wall when installed correctly.

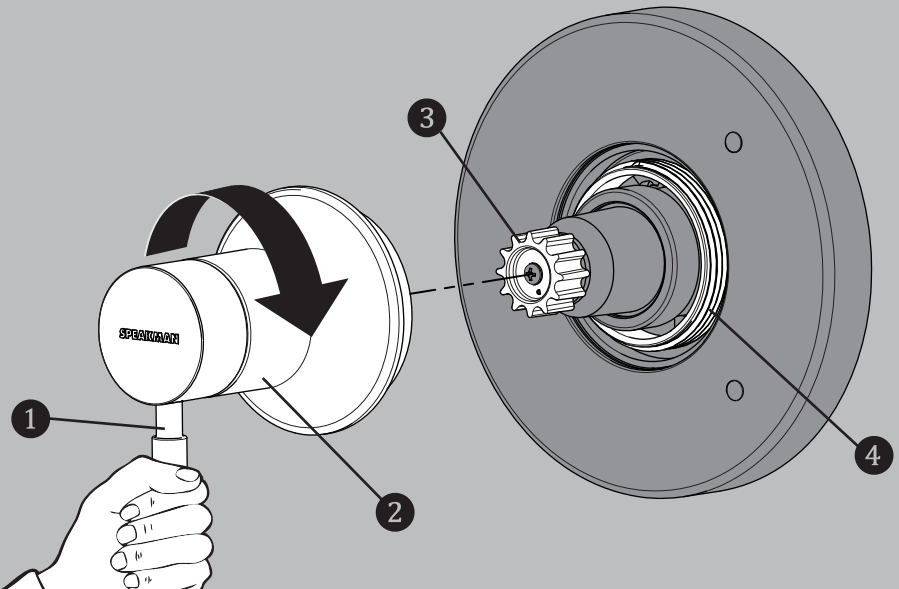
6 Confirm that the Valve is in the OFF position. Insert Spline Adapter (1) over Delta spindle (2), aligning it to the flats on the Delta Spindle (2). Secure the Spline Adapter with the 10-24 X 1/2" Screw (3) provided.



7 Orient the Decorative Wall Plate (1) as shown below and insert the RED index button into the top hole of the Wall Plate, and the BLUE index button into the lower hole. Slide Wall Plate Assembly over Wall Mounting Plate (2).

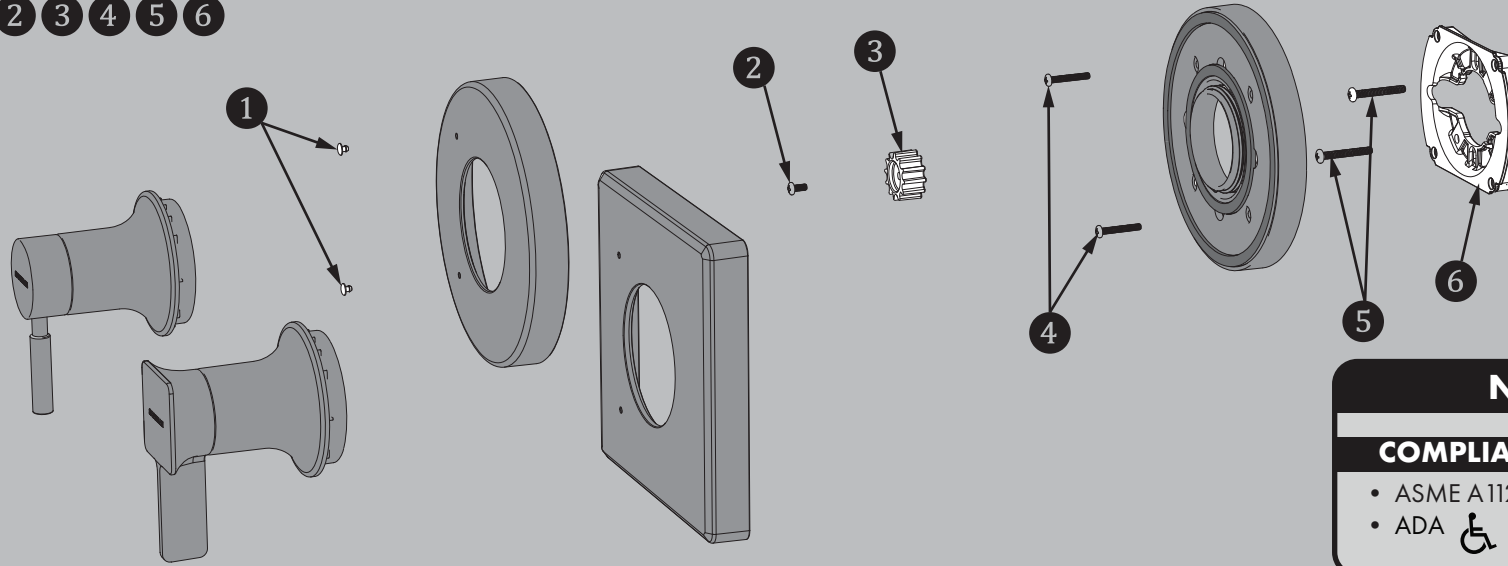


8 Orient the Handle Assembly in a vertical position as shown below. Guide Handle Assembly onto the Spline Adapter (3). While holding the Handle (1) stationary in the vertical position, thread the Handle Escutcheon (2) onto the Wall Mounting Plate (4). Hand tighten until snug.




REPAIR PARTS

•RPG10-0117 1 2 3 4 5 6

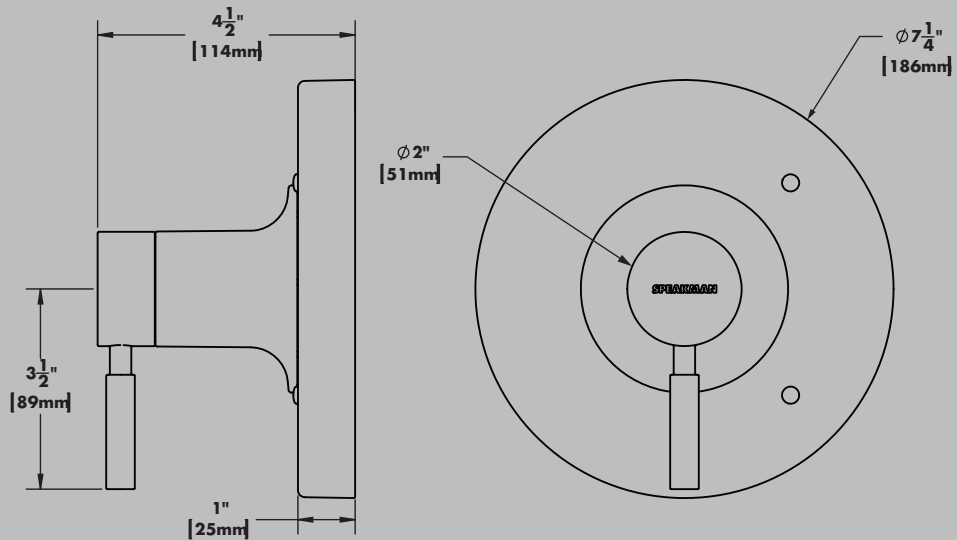


NOTES:

COMPLIANCE:

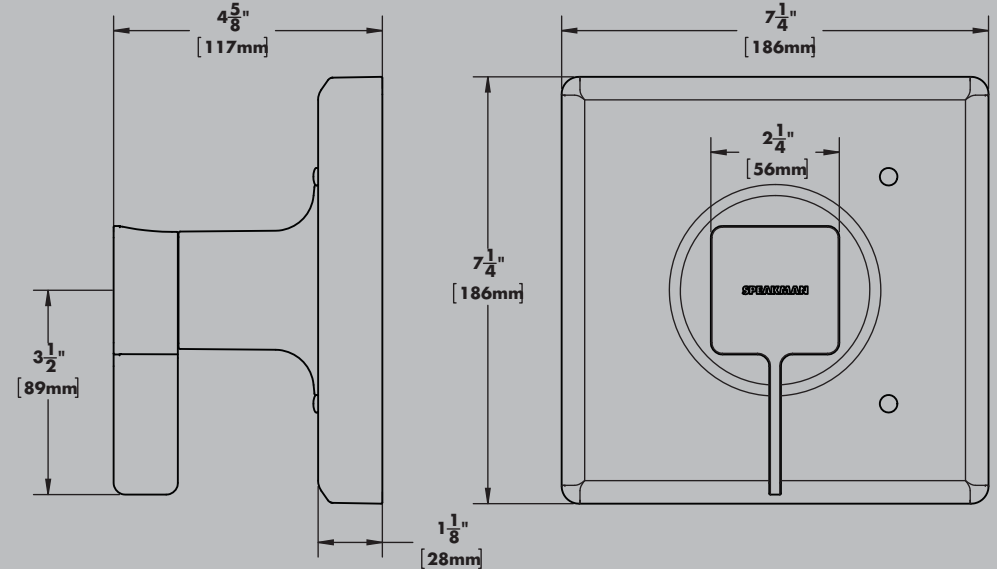
- ASME A112.18.1/CSA B 125.1
- ADA 

ROUGH-IN DIMENSIONS: CPT-1000-UNI



•Dimensions are subject to change without notice.

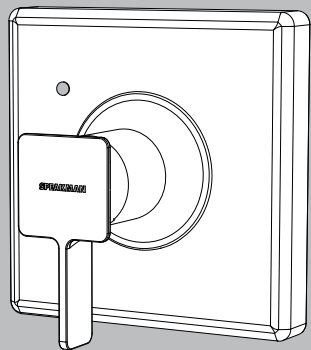
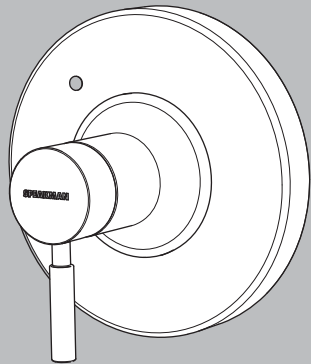
ROUGH-IN DIMENSIONS: CPT-1300-UNI



•Dimensions are subject to change without notice.

INSTRUCTIONS FOR MODELS

CPT-1000-UNI
CPT-1300-UNI
Kohler Installation



NEED HELP?

For additional assistance or service please contact:

SPEAKMAN® Company
400 Anchor Mill Road
New Castle, DE 19720

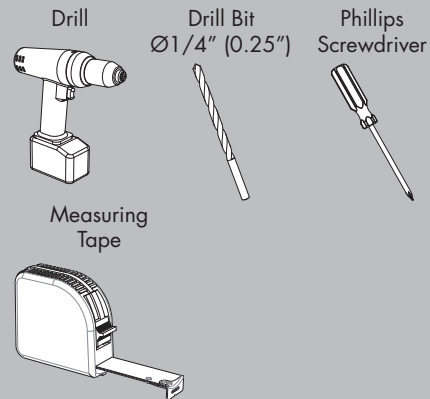
800-537-2107

customerservice@speakman.com

www.speakman.com

92-CPT-1000-UNI-K-R2

TOOLS AND SUPPLIES



IMPORTANT

- Verify that existing Valve is installed correctly per manufacturers instructions. If valve is not installed correctly, installation of the Universal Valve Trim may not be possible.

- Circular Trim Package shown for reference. While the appearance of your trim may be different, the installation steps are the same.

- This Trim Package is intended to mount only to the following Kohler valves. Please verify the model of your valve prior to installation.

K-304-CS-NA
K-304-CX-NA
K-304-PS-NA
K-304-PX-NA
K-304-US-NA
K-304-UX-NA
K-304-K-NA
K-304-KS-NA

SAFETY TIPS

Cover your drain to prevent loss of parts. Be sure to always wear proper eye protection.

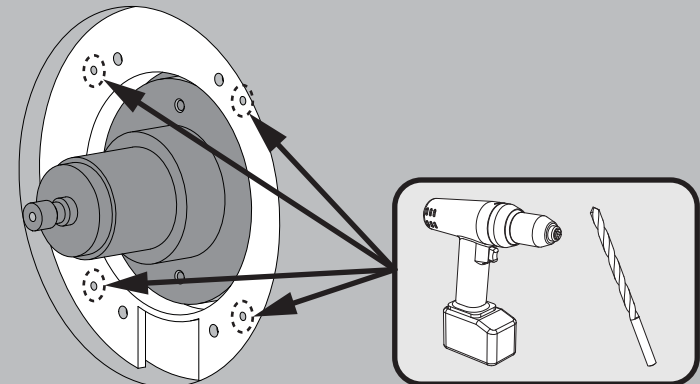
MAINTENANCE

Your new Valve Trim is designed for years of trouble-free performance. Keep it looking new by cleaning it periodically with a soft cloth. Avoid abrasive cleaners, steel wool, and harsh chemicals as these will dull the finish and void your warranty.

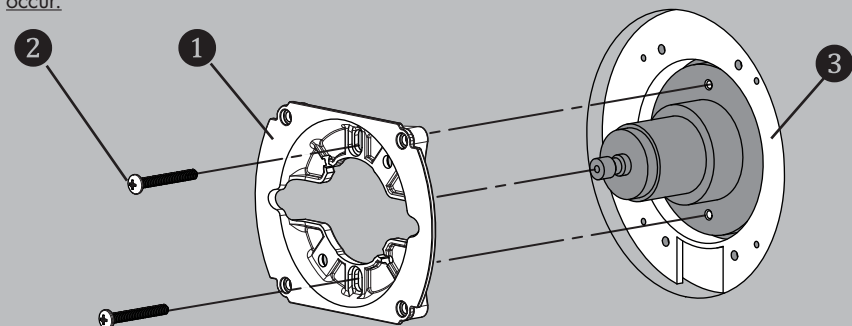
WARRANTY

Additional warranty information can be found at: www.speakman.com

1 Using a Ø1/4" (Ø.25") Drill Bit, enlarge the 4 holes shown below in the existing Kohler Mounting Flange.

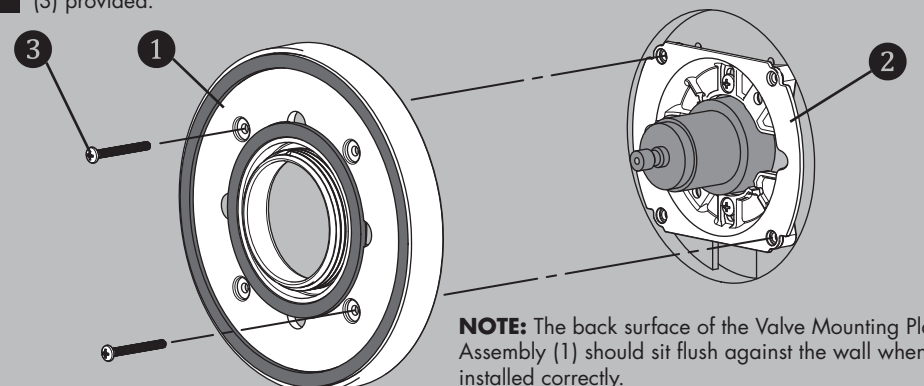


2 Clean front surface of wall. Install Valve Mounting Plate (1) to existing Kohler Valve, using the 10-24 x 1-½" screws (2) provided. Take care to not over tighten mounting screws or damage may occur.



NOTE: Valve Mounting Plate (1) should sit flush upon Kohler Mounting Flange (3) when secured.

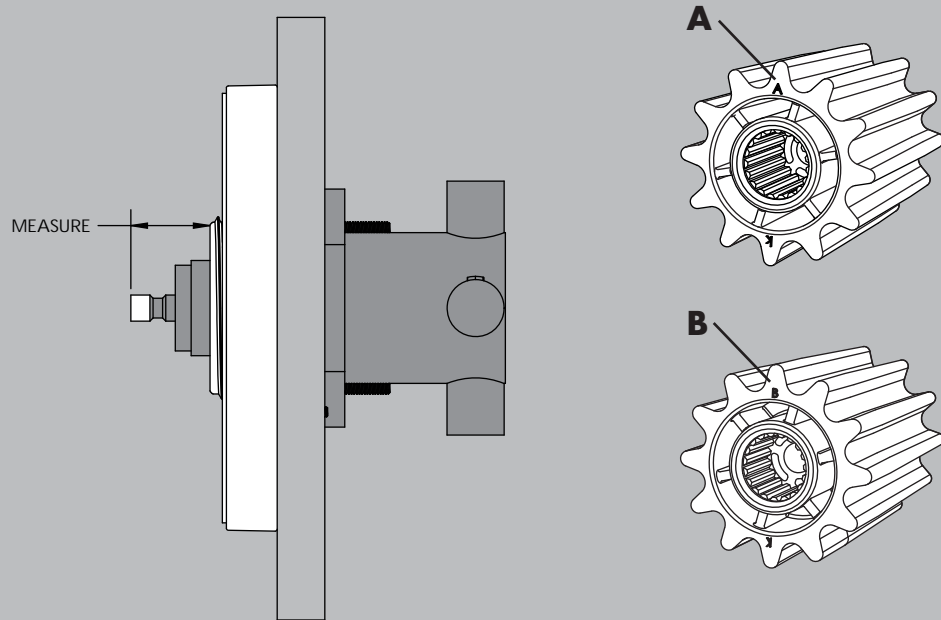
3 Secure the Wall Mounting Plate (1) to the Valve Mounting Plate (2) using the 8-32 X 1-½" Screws (3) provided.



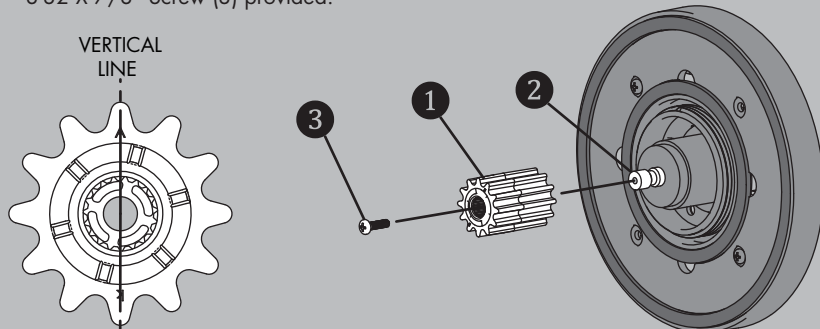
NOTE: The back surface of the Valve Mounting Plate Assembly (1) should sit flush against the wall when installed correctly.

4 The Universal Valve Trim kit includes two (2) Spindle Adapters that allow for both shallow and deep valve mount installations. Measure the distance between the front lip of the Wall Mounting Plate and the end of the Kohler Spindle as shown below to determine which Spindle Adapter is to be used.

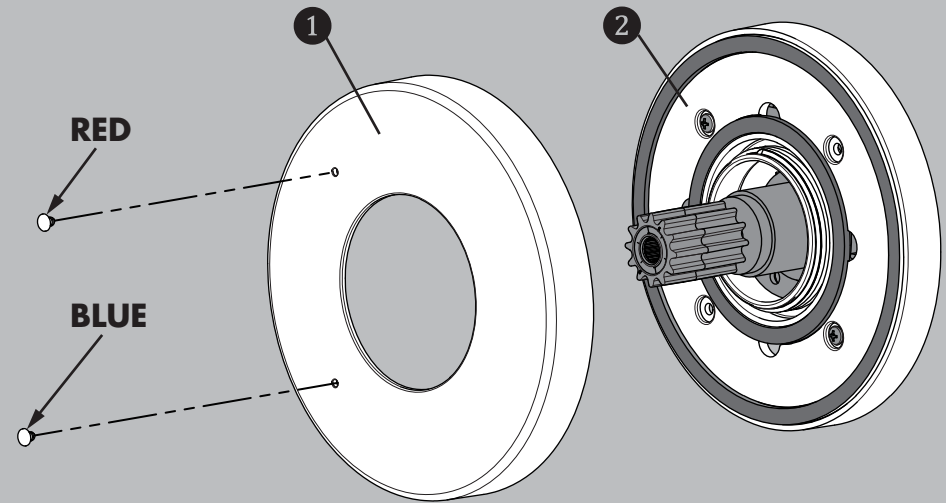
- If the measurement falls between **7/8" to 1-1/4"**, then Spine Adapter marked "**B**" is to be used for installation.
- If the measurement falls between **1-1/4" to 1-5/8"**, then Spine Adapter marked "**A**" is to be used for installation.



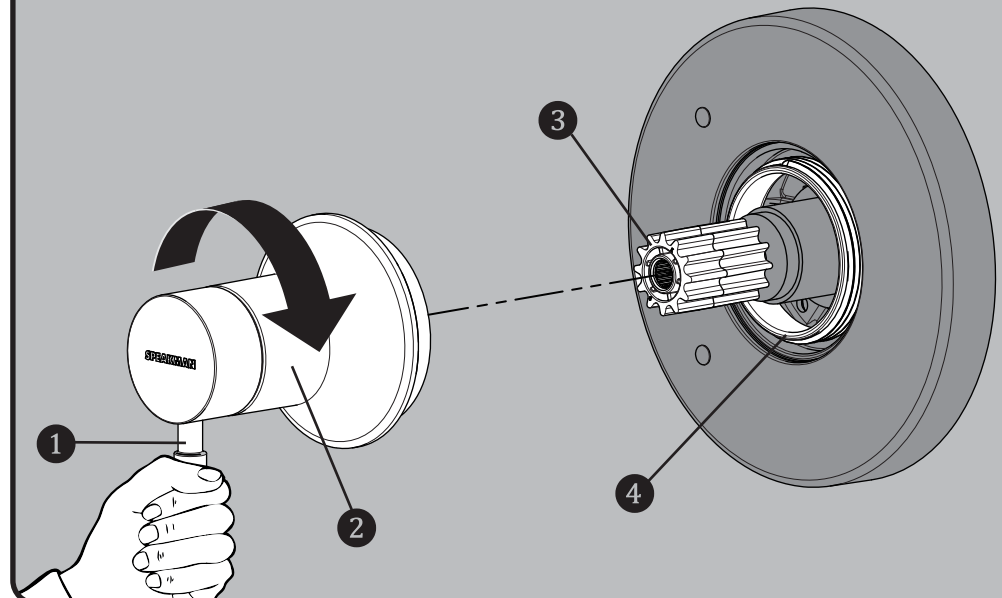
5 Confirm that the Valve is in the off position. Retrieve Spine Adapter to be used as determined in Step 4. Insert Spine Adapter (1) over Kohler spindle (2). One set of splines on the adapter must be oriented perfectly vertical when installed, as shown below. Secure the Spine Adapter with the 8-32 X 7/8" Screw (3) provided.



6 Orient the Decorative Wall Plate (1) as shown below and insert the RED index button into the top hole of the Wall Plate, and the BLUE index button into the lower hole. Slide Wall Plate Assembly over Wall Mounting Plate (2).

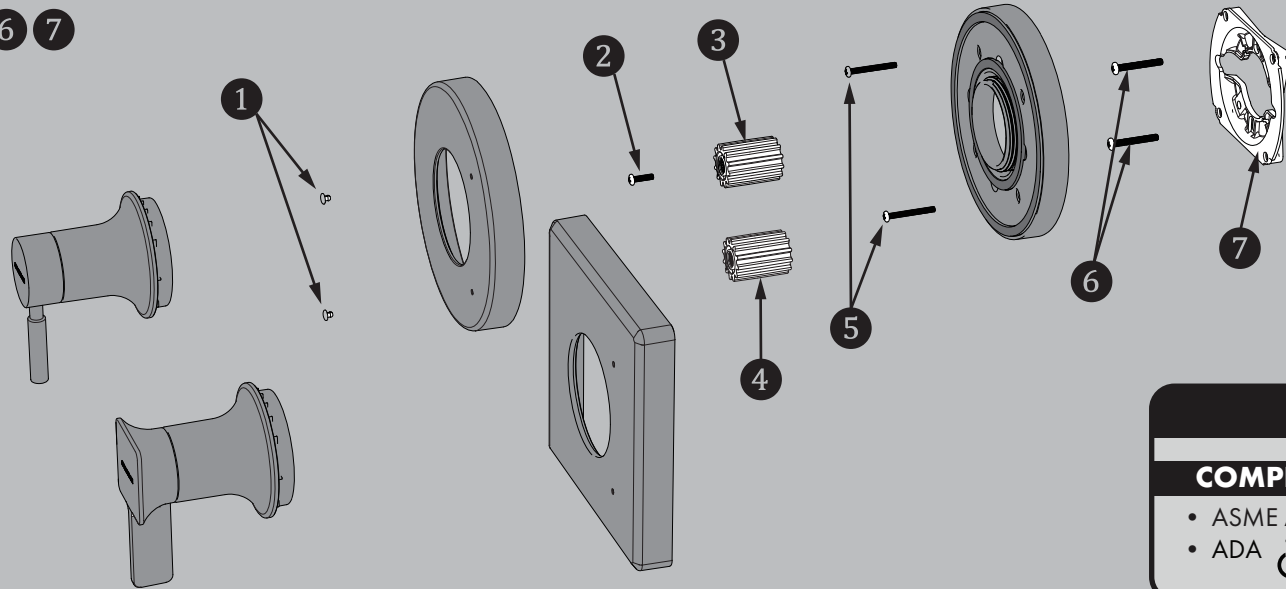


7 Orient the Handle Assembly in a vertical position as shown below. Guide Handle Assembly onto the Spine Adapter (3). While holding the Handle (1) stationary in the vertical position, thread the Handle Escutcheon (2) onto the Wall Mounting Plate (4). Hand tighten until snug.




REPAIR PARTS

•RPG10-0114 1 2 3 4 5 6 7

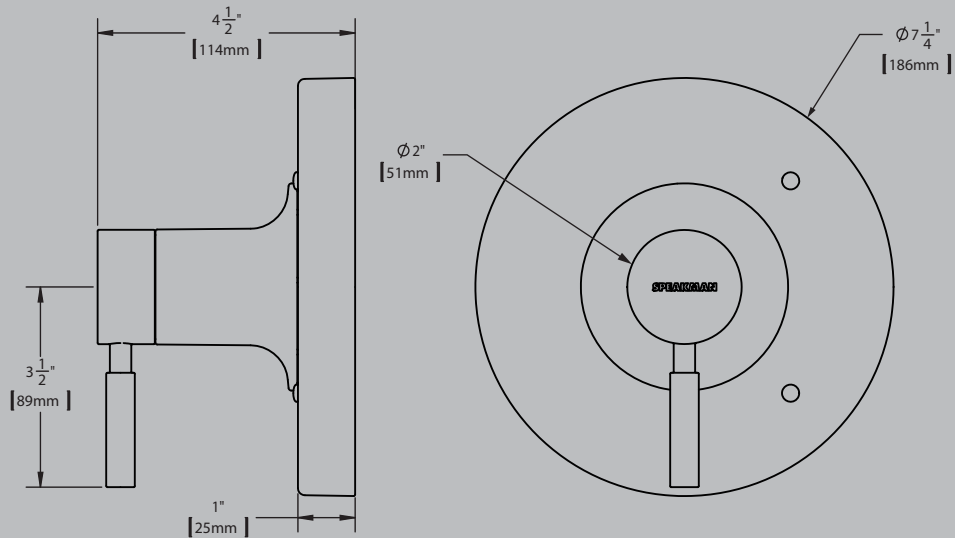


NOTES:

COMPLIANCE:

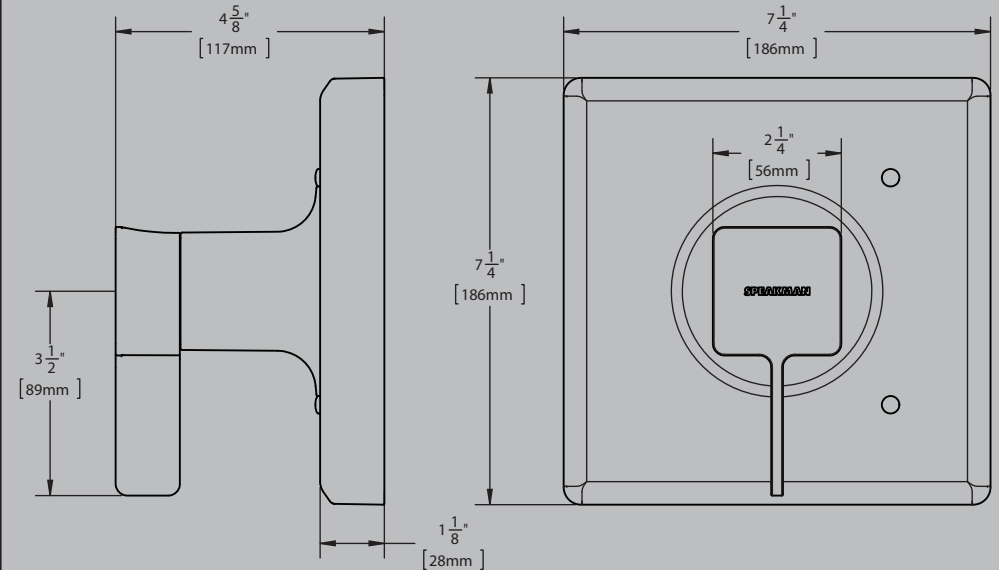
- ASME A112.18.1/CSA B 125.1
- ADA 

ROUGH-IN DIMENSIONS: CPT-1000-UNI



•Dimensions are subject to change without notice.

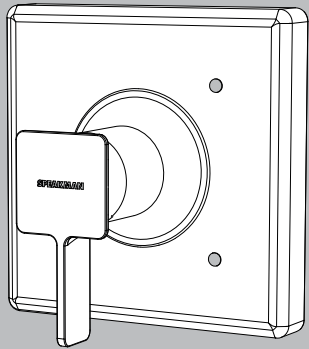
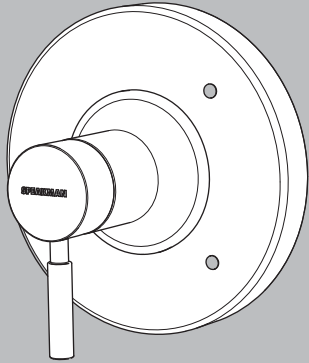
ROUGH-IN DIMENSIONS: CPT-1300-UNI



•Dimensions are subject to change without notice.

INSTRUCTIONS FOR MODELS

CPT-1000-UNI
CPT-1300-UNI
Moen Installation



NEED HELP?

For additional assistance or service please contact:

SPEAKMAN® Company
400 Anchor Mill Road
New Castle, DE 19720

800-537-2107

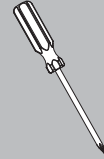
customerservice@speakman.com

www.speakman.com

92-CPT-1000-UNI-M-R2

TOOLS AND SUPPLIES

Phillips
Screwdriver



IMPORTANT

• **Verify that existing Valve is installed correctly per manufacturers instructions. If valve is not installed correctly, installation of the Universal Valve Trim may not be possible.**

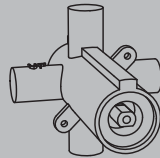
• Circular Trim Package shown for reference. While the appearance of your trim may be different, the installation steps are the same.

• This Trim Package is intended to mount only to the following Moen valves. Please verify the model of your valve prior to installation.

MOEN® Posi-Temp®

2510
2520
2570
2580
2590

*NOT FOR USE WITH DIVERTER/VOLUME CONTROL MODELS



SAFETY TIPS

Cover your drain to prevent loss of parts. Be sure to always wear proper eye protection.

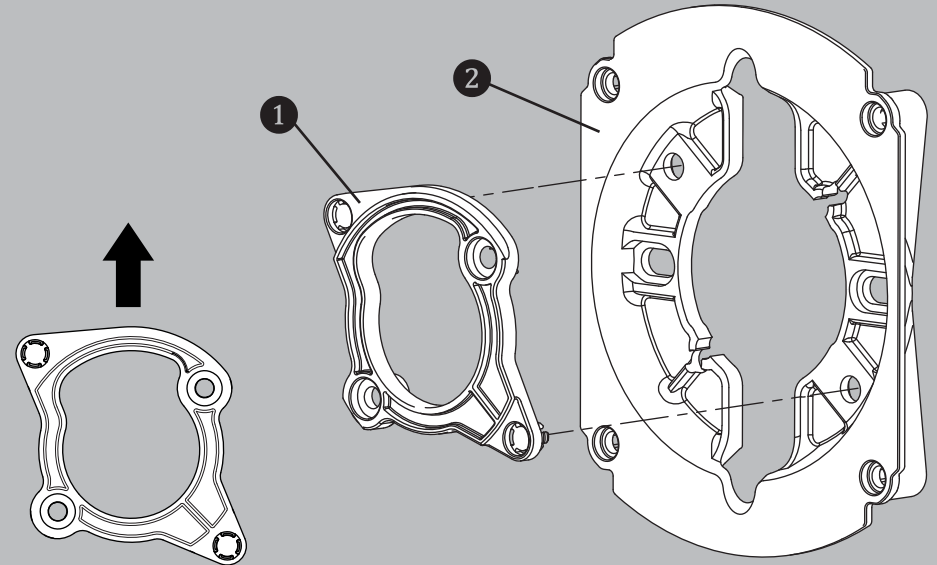
MAINTENANCE

Your new Valve Trim is designed for years of trouble-free performance. Keep it looking new by cleaning it periodically with a soft cloth. Avoid abrasive cleaners, steel wool, and harsh chemicals as these will dull the finish and void your warranty.

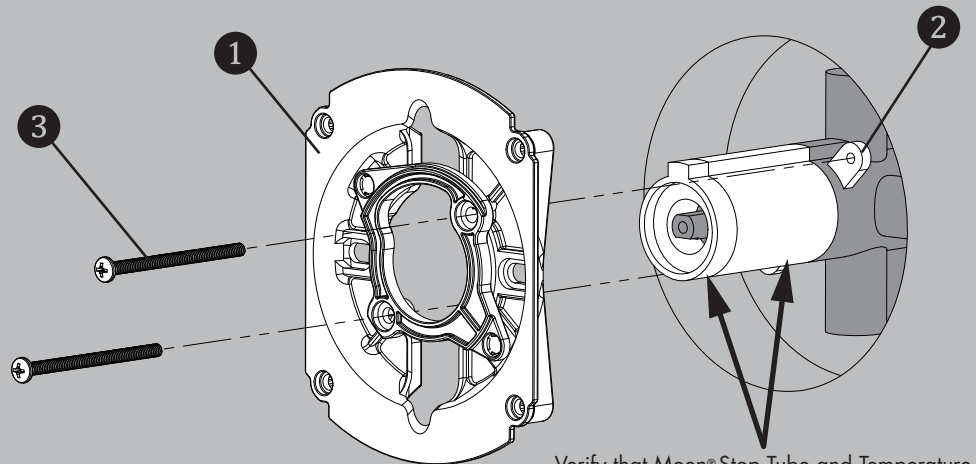
WARRANTY

Additional warranty information can be found at:
www.speakman.com

- 1** Assemble Moen Adapter (1) to the Valve Mounting Plate (2) taking care to orient it as shown below. Press spring tabs of the Moen Adapter (1) thru the corresponding holes in the Valve Mounting Plate (2).

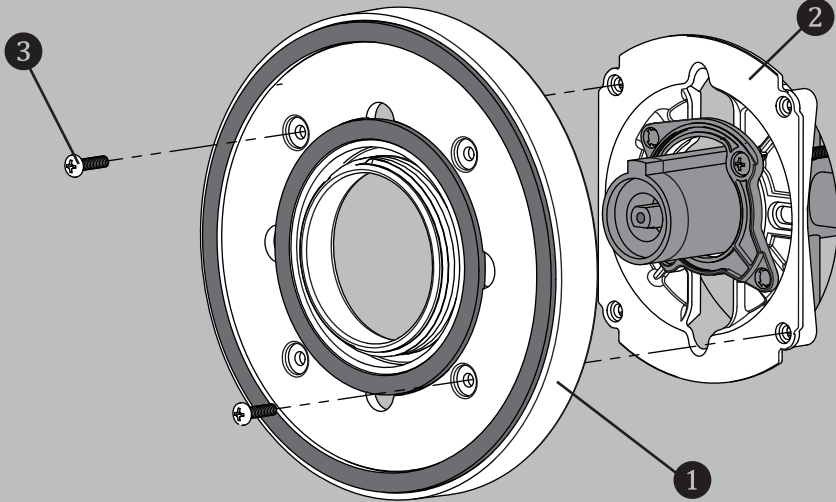


- 2** Clean front surface of wall. Install Valve Mounting Plate Assembly (1) to existing Moen Valve (2), using the 8-32 x 2-1/2" Screws (3) provided. Take care to not over tighten mounting screws, or deformation of the Valve Mounting Plate (1) may occur. The back surface of the Valve Mounting Plate Assembly (1) should sit flush against the wall when installed correctly.



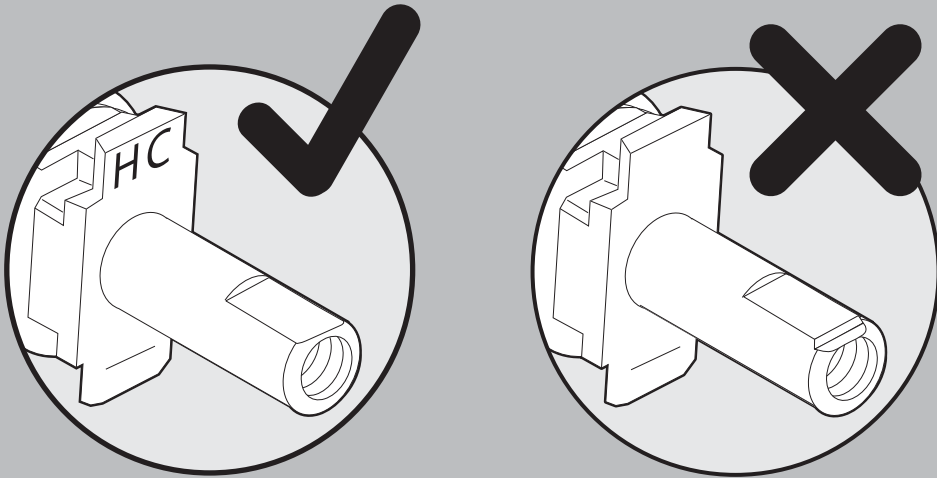
Verify that Moen® Stop Tube and Temperature Limit Stop are present and properly installed

3 Secure the Wall Mounting Plate (1) to the Valve Mounting Plate (2) using the 8-32 X 5/8" Screws (3) provided.



NOTE: The back surface of the Valve Mounting Plate Assembly (1) should sit flush against the wall when installed correctly.

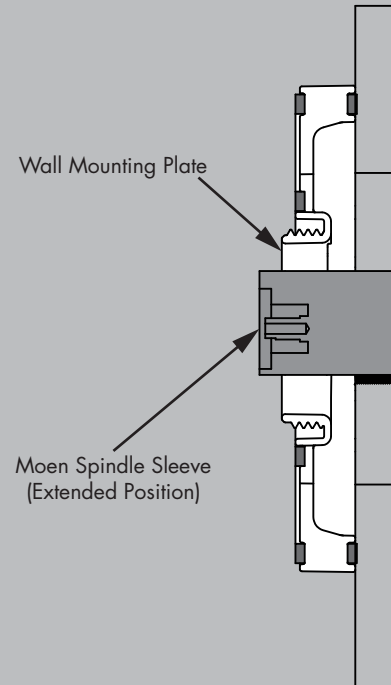
4 Verify proper alignment of Moen Valve Spindle. Orient the Moen Valve Spindle so the side with the smooth machined flat is facing upwards as shown below.



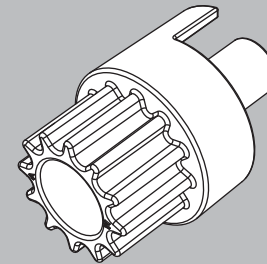
5 The Universal Valve Trim kit includes two Spindle Adapters that allow for both shallow and deep mount installations. Observe the distance between the front lip of the Wall Mounting Plate and the end of the Moen Spindle Hub as shown below to determine which Spindle Adapter to use.

- If the Moen Spindle Sleeve extends beyond the Wall Mounting Plate (1), Use Adapter "A"
- If the Moen Spindle Sleeve is recessed into the Wall Mounting Plate (1), Use Adapter "B."

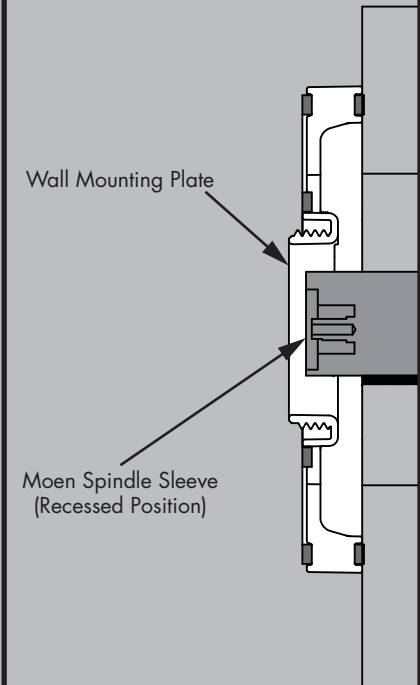
USE ADAPTER "A"



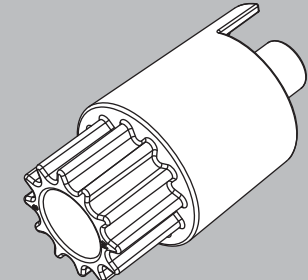
ADAPTER "A"



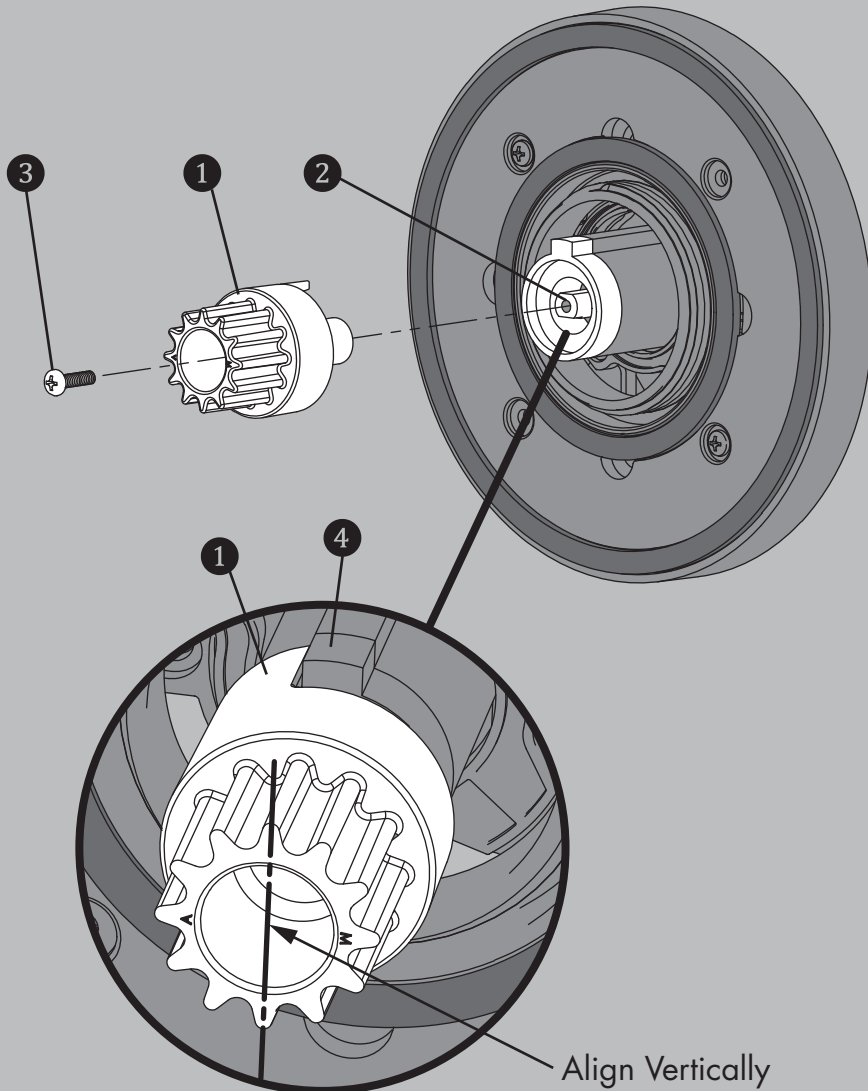
USE ADAPTER "B"



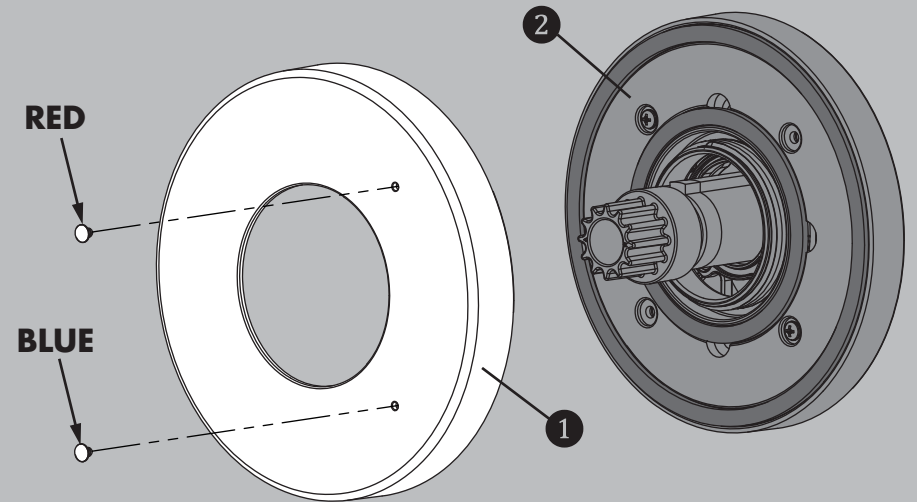
ADAPTER "B"



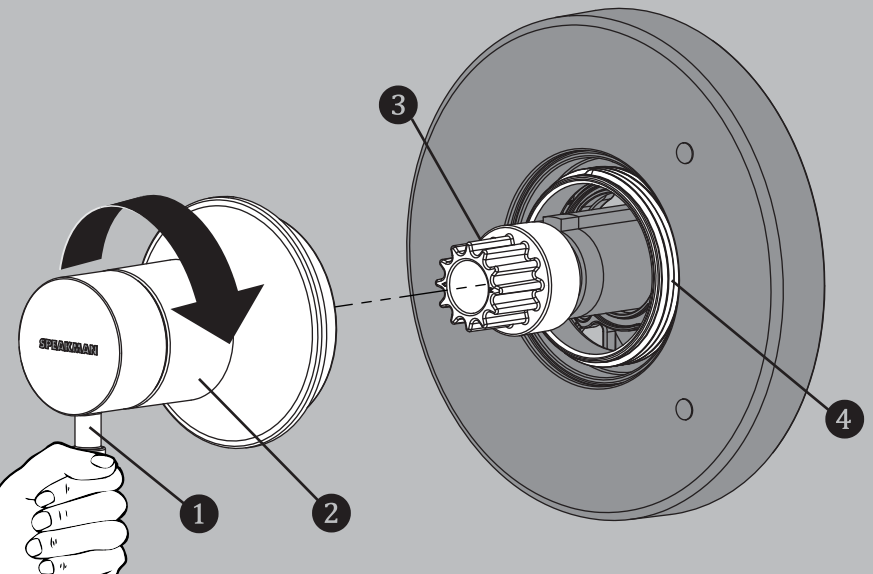
- 6** Confirm that the Valve is in the correct orientation as described in Step 4. Insert Spline Adapter (1) over Moen spindle (2), aligning it to the flats on the Moen Spindle (2). The extended "lug" on the Spindle Adapter (1) should be positioned to the left of the Moen Valve Stop (4). One set of splines on the adapter must be oriented perfectly vertical when installed, as shown below. Secure the Spline Adapter with the 10-24 X 1/2" Screw (3) provided.



- 7** Orient the Decorative Wall Plate (1) as shown below and insert the RED index button into the top hole of the Wall Plate, and the BLUE index button into the lower hole. Slide Wall Plate Assembly over Wall Mounting Plate (2).

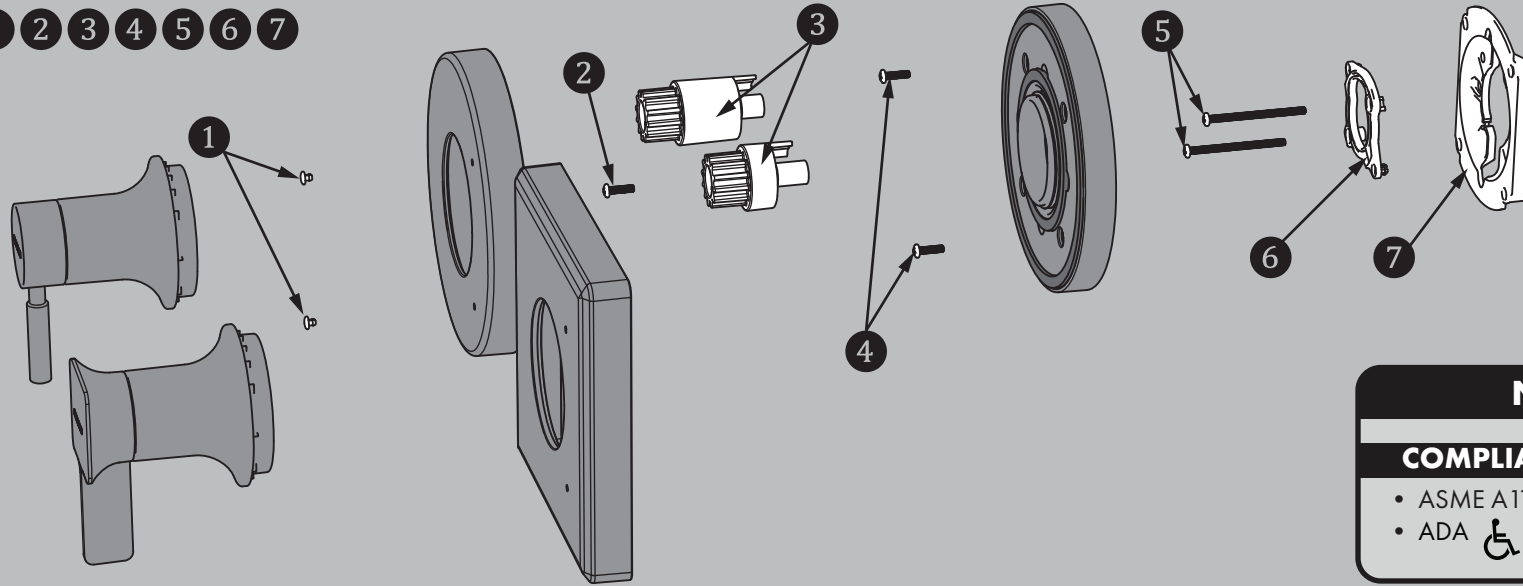


- 8** Orient the Handle Assembly in a vertical position as shown below. Guide Handle Assembly onto the Spline Adapter (3). While holding the Handle (1) stationary in the vertical position, thread the Handle Escutcheon (2) onto the Wall Mounting Plate (4). Hand tighten until snug.




REPAIR PARTS

•RPG10-0115 1 2 3 4 5 6 7

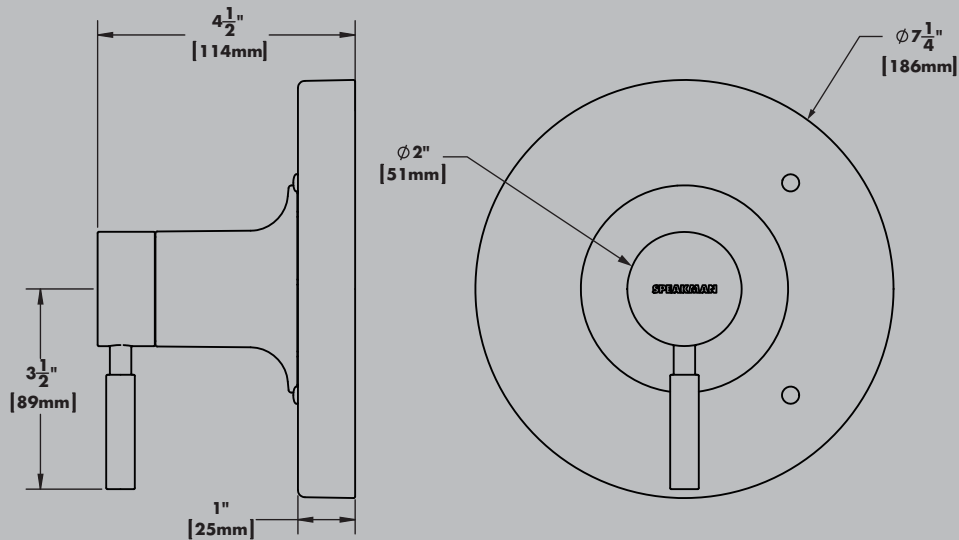


NOTES:

COMPLIANCE:

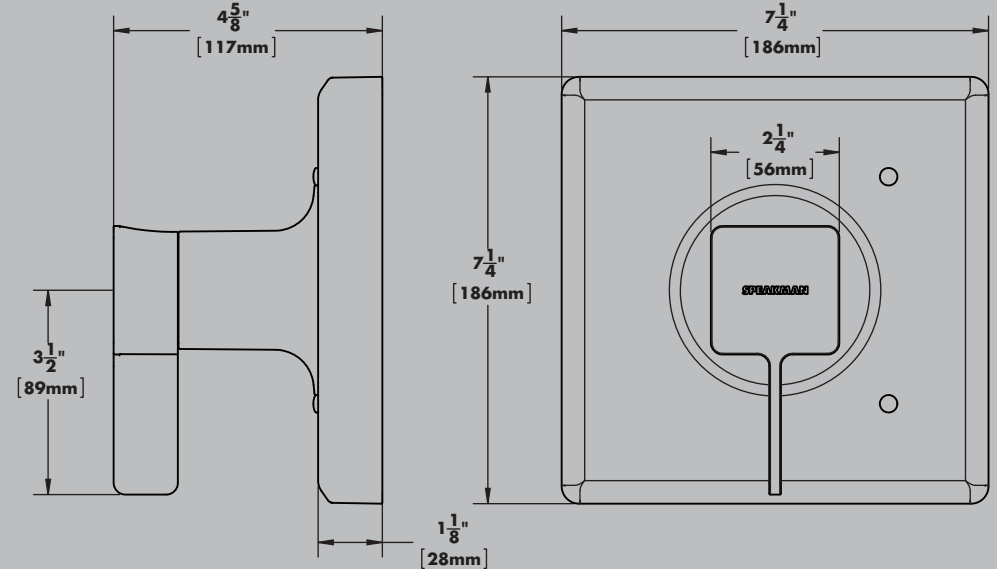
- ASME A112.18.1/CSA B 125.1
- ADA 

ROUGH-IN DIMENSIONS: CPT-1000-UNI



•Dimensions are subject to change without notice.

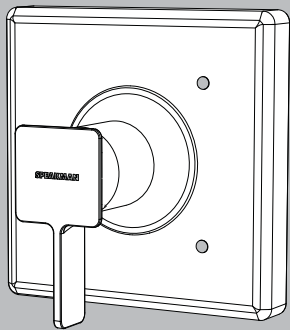
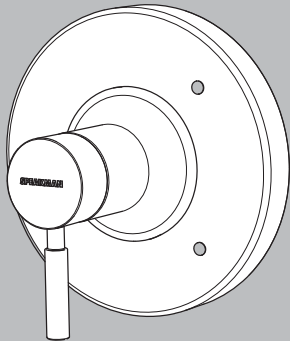
ROUGH-IN DIMENSIONS: CPT-1300-UNI



•Dimensions are subject to change without notice.

INSTRUCTIONS FOR MODELS

CPT-1000-UNI
CPT-1300-UNI
Symmons Installation



NEED HELP?

For additional assistance or service please contact:

SPEAKMAN® Company
400 Anchor Mill Road
New Castle, DE 19720

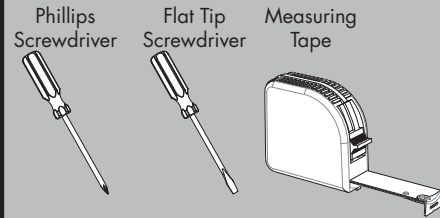
800-537-2107

customerservice@speakman.com

www.speakman.com

92-CPT-1000-UNI-S-R2

TOOLS AND SUPPLIES



IMPORTANT



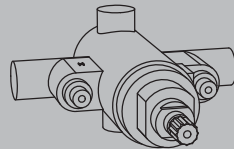
• **Verify that existing Valve is installed correctly per manufacturers instructions. If valve is not installed correctly, installation of the Universal Valve Trim may not be possible.**

• Circular Trim Package shown for reference. While the appearance of your trim may be different, the installation steps are the same.

• This Trim Package is intended to only mount to the following Symmons valves. Please verify the model of your valve prior to installation.

SYMMONS® Temptrol®

4000-BODY
4000-X-BODY
46-2-X-BODY



*NOT FOR USE WITH DIVERTER/VOLUME CONTROL MODELS

SAFETY TIPS

Cover your drain to prevent loss of parts. Be sure to always wear proper eye protection.

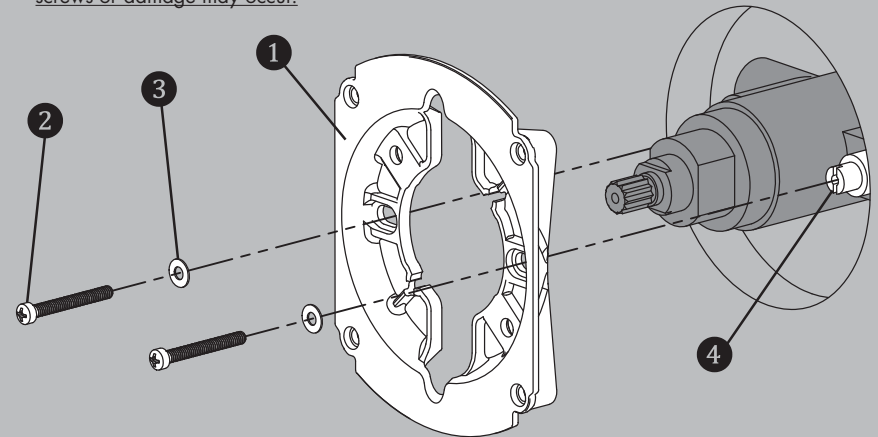
MAINTENANCE

Your new Valve Trim is designed for years of trouble-free performance. Keep it looking new by cleaning it periodically with a soft cloth. Avoid abrasive cleaners, steel wool, and harsh chemicals as these will dull the finish and void your warranty.

WARRANTY

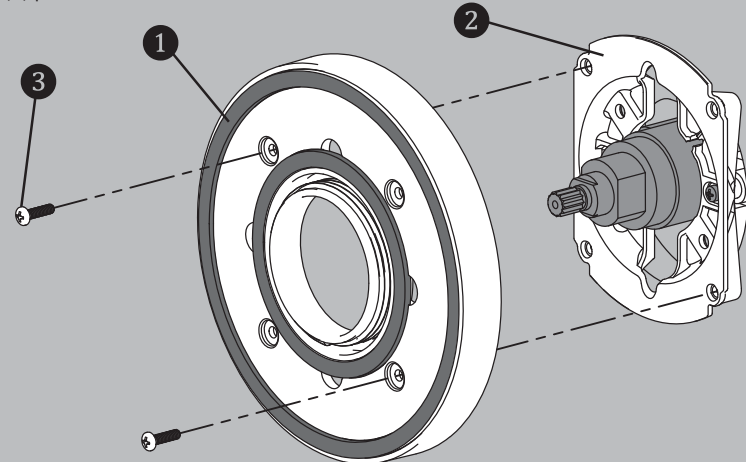
Additional warranty information can be found at: www.speakman.com

- 1** Clean front surface of wall. Verify that Symmons Valve Stops (4) are in the "Open" position by turning counter-clockwise. Install Valve Mounting Plate (1) to existing Symmons Valve, using the 8-32 x 1-3/8" screws (2), and Washers (3) provided. Take care to not over tighten mounting screws or damage may occur.



NOTE: The back surface of the Valve Mounting Plate Assembly (1) should sit flush against the wall when installed correctly.

- 2** Secure the Wall Mounting Plate (1) to the Valve Mounting Plate (2) using the 8-32 X 5/8" Screws (3) provided.

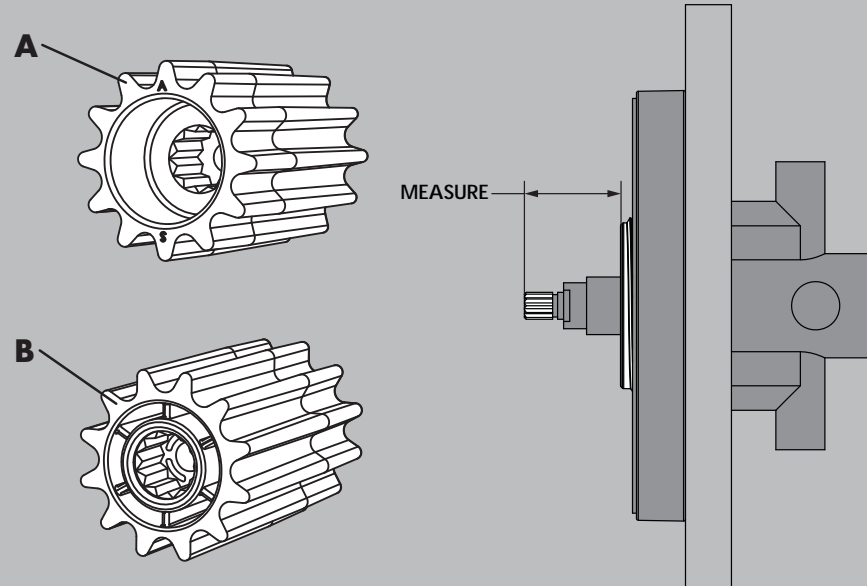


NOTE: The back surface of the Valve Mounting Plate Assembly (1) should sit flush against the wall when installed correctly.

3

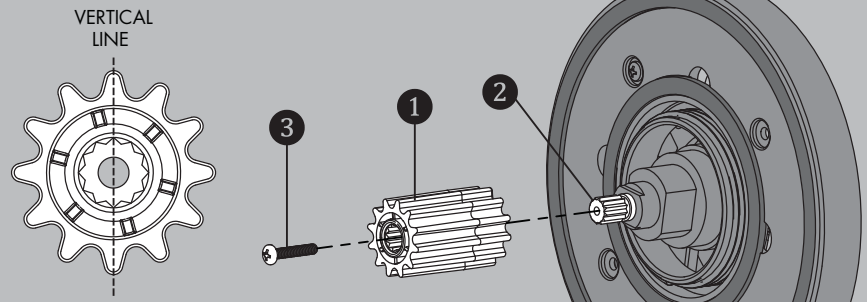
The Universal Valve Trim kit includes two (2) Spindle Adapters that allow for both shallow and deep valve mount installations. Measure the distance between the front lip of the Wall Mounting Plate and the end of the Symmons Spindle as shown below to determine which Spindle Adapter is to be used.

- If the measurement falls between **9/16" to 1-1/16"**, then Spine Adapter marked **"B"** is to be used for installation.
- If the measurement falls between **1-1/16" to 1-9/16"**, then Spine Adapter marked **"A"** is to be used for installation.



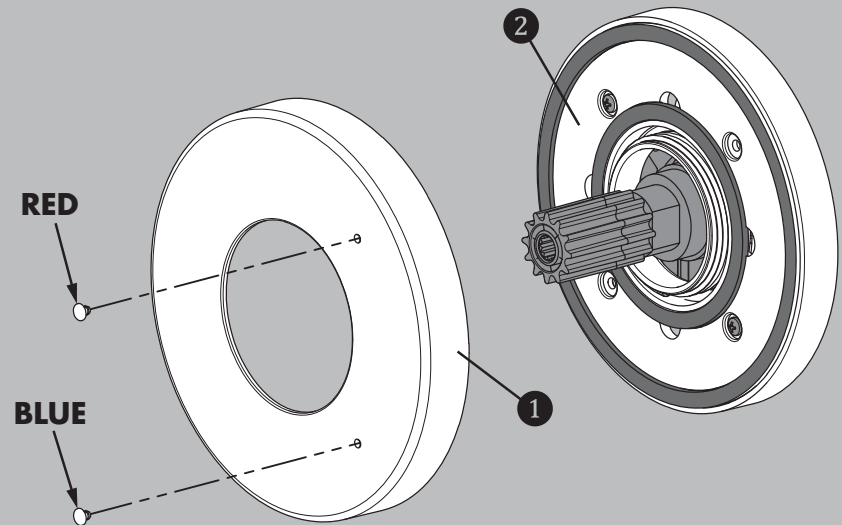
4

Confirm that the Valve is in the off position. Retrieve Spine Adapter to be used as determined in Step 3. Insert Spine Adapter (1) over Symmons spindle (2). One set of splines on the adapter must be oriented perfectly vertical when installed, as shown below. Secure the Spine Adapter with the 8-32 X 7/8" Screw (3) provided.



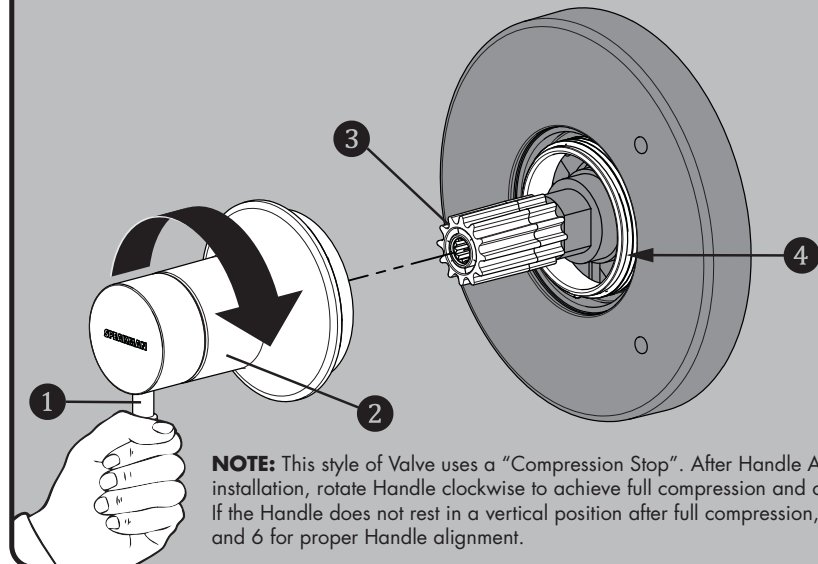
5

Orient the Decorative Wall Plate (1) as shown below and insert the RED index button into the top hole of the Wall Plate, and the BLUE index button into the lower hole. Slide Wall Plate Assembly over Wall Mounting Plate (2).



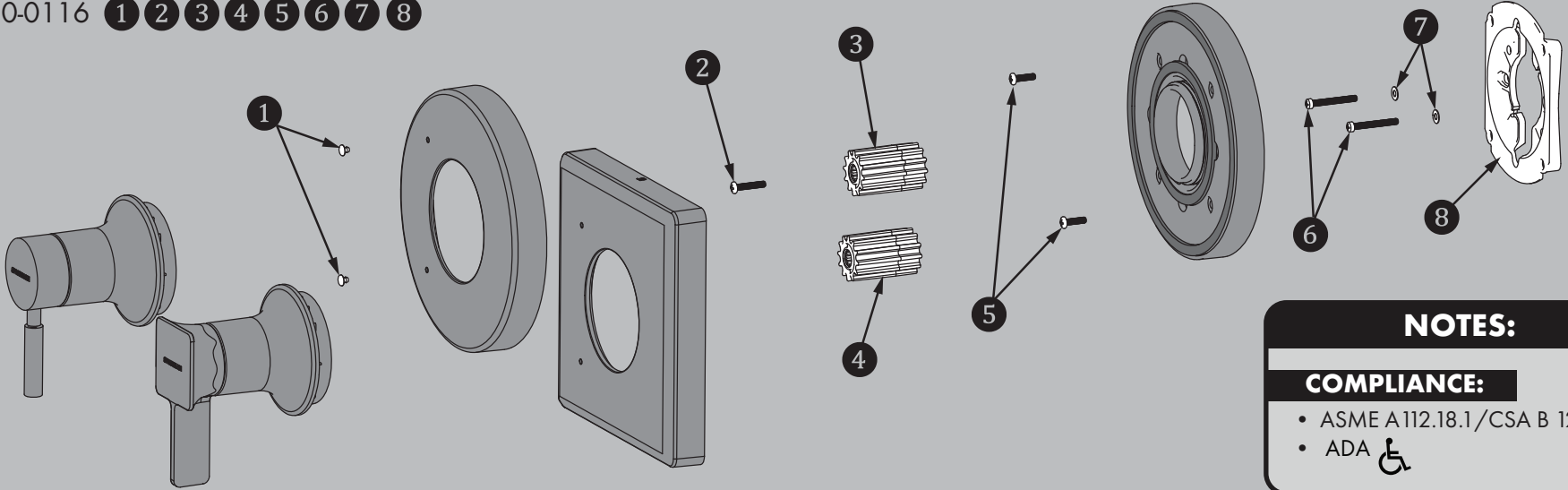
6

Orient the Handle Assembly in a vertical position as shown below. Guide Handle Assembly onto the Spine Adapter (3). While holding the Handle (1) stationary in the vertical position, thread the Handle Escutcheon (2) onto the Wall Mounting Plate (4). Hand tighten until snug.




REPAIR PARTS

•RPG10-0116 1 2 3 4 5 6 7 8

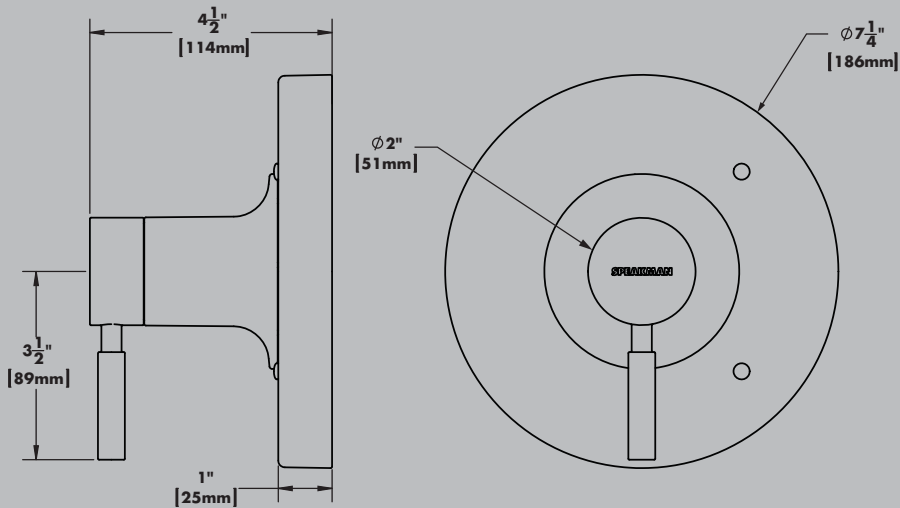


NOTES:

COMPLIANCE:

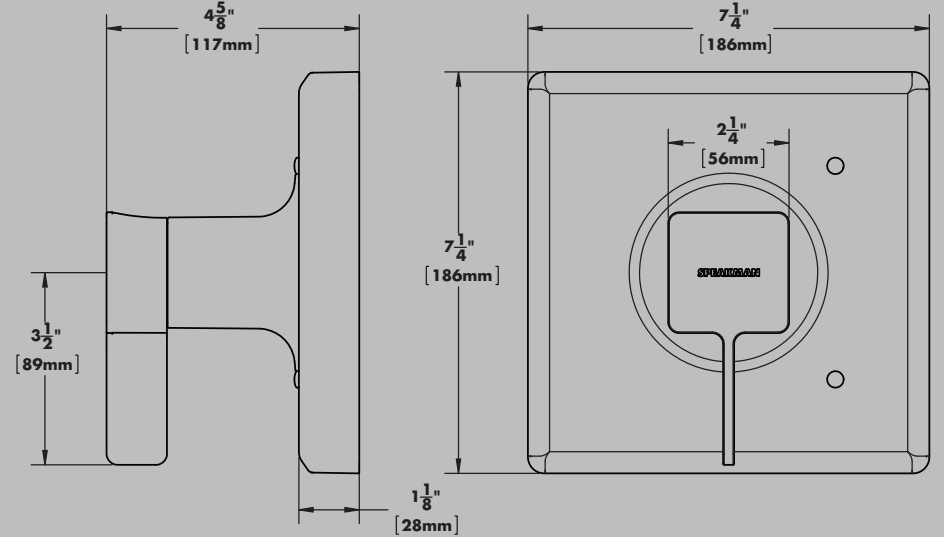
- ASME A112.18.1/CSA B 125.1
- ADA 

ROUGH-IN DIMENSIONS: CPT-1000-UNI



•Dimensions are subject to change without notice.

ROUGH-IN DIMENSIONS: CPT-1300-UNI



•Dimensions are subject to change without notice.