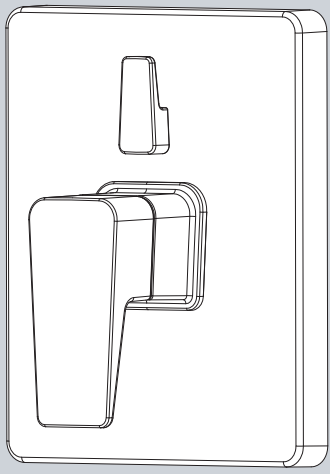


INSTRUCTIONS FOR MODELS

CPT-24400



NEED HELP?

For additional assistance or service please contact:

SPEAKMAN® Company
400 Anchor Mill Road
New Castle, DE 19720

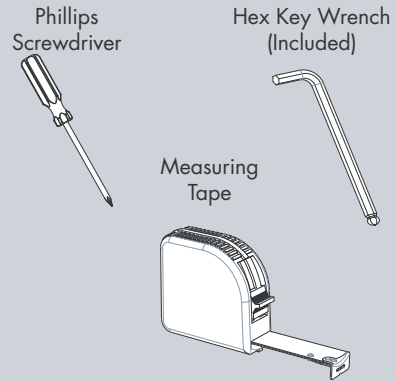
800-537-2107

customerservice@speakman.com

www.speakman.com

92-CPT-24400-01

TOOLS AND SUPPLIES



IMPORTANT

- Do not over-tighten any connections or damage may occur.
- Be sure to read instructions thoroughly before beginning installation.

SAFETY TIPS

Cover your drain to prevent loss of parts.

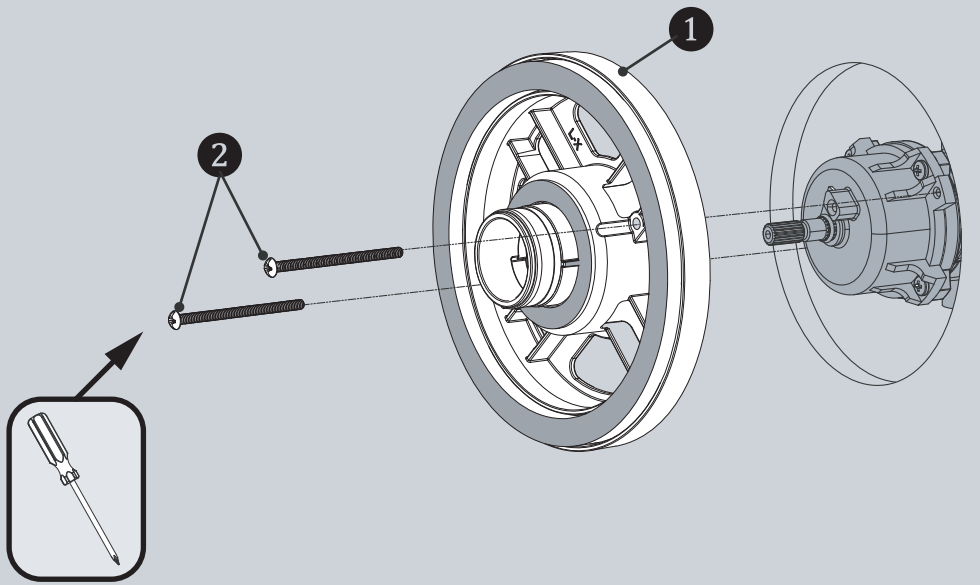
MAINTENANCE

Your new Speakman Product is designed for years of trouble-free performance. Keep it looking new by cleaning it periodically with a soft cloth. The use of harsh chemicals and abrasives on any of the Speakman custom finish products may damage the finish and void the product warranty. Please be sure to only use approved cleaners. Please contact Speakman for any clarification of acceptable cleaners.

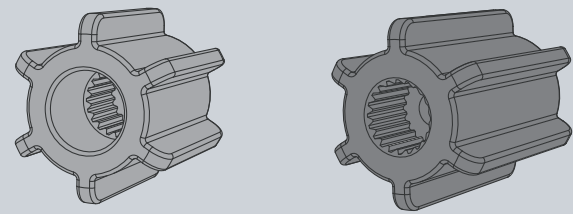
WARRANTY

Additional warranty information can be found at:
www.speakman.com

1 Clean wall surface. Place Mounting Base (1) onto the valve, align mounting holes, and secure with supplied screws (2).

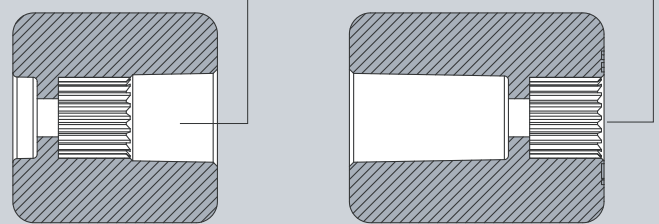


2 There are two connectors included to allow for both Shallow Mount (Valve Centerline is 2.5-3.0" from finished wall surface) and Deep Mount (Valve Centerline is 3.0"-3.5" from finished wall surface) applications. Please select Connector appropriate for your installation.

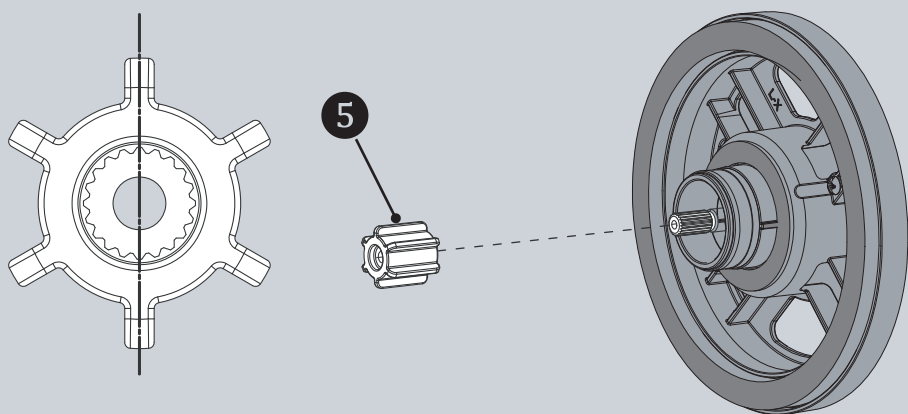


For Shallow Mount Application

For Deep Mount Application

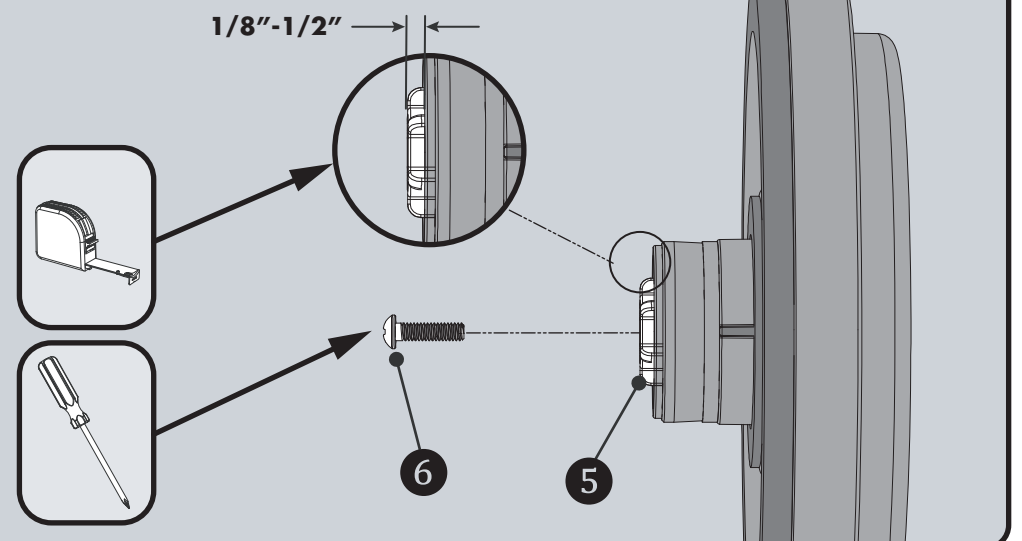


3 Confirm that the valve is in the "OFF" position. Place appropriate Connector (5) onto spindle of valve making sure to orient the Connector so that one set of splines are perfectly vertical as shown below.

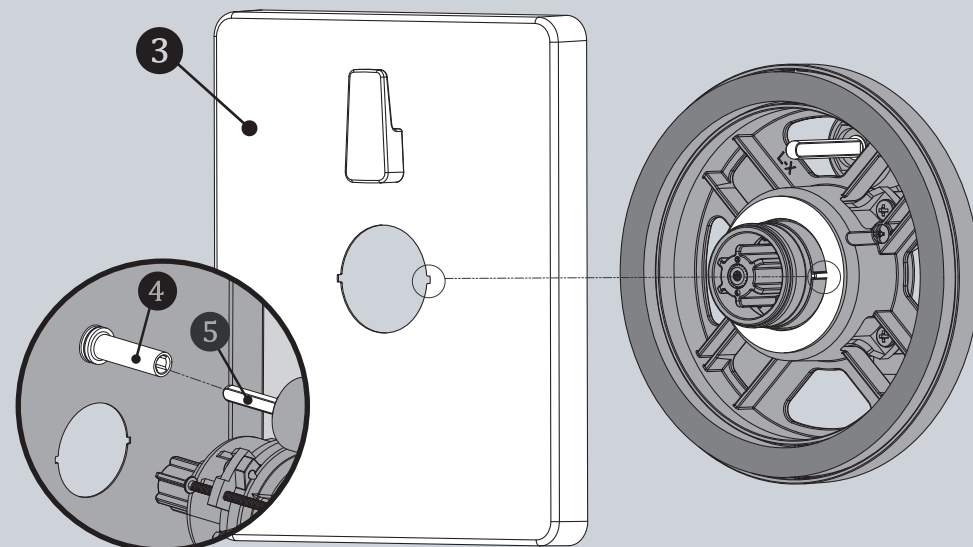


IMPORTANT

When installed correctly, the Connector (5), should extend beyond the Mounting Base in-between 1/8" - 1/2". Secure with screw (6). If your installation does not fall within this range, try swapping Connectors.

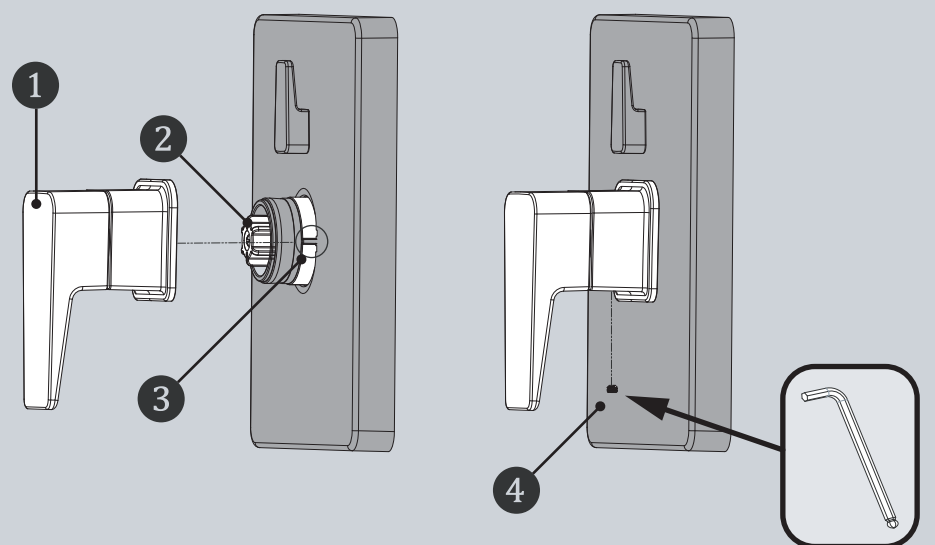


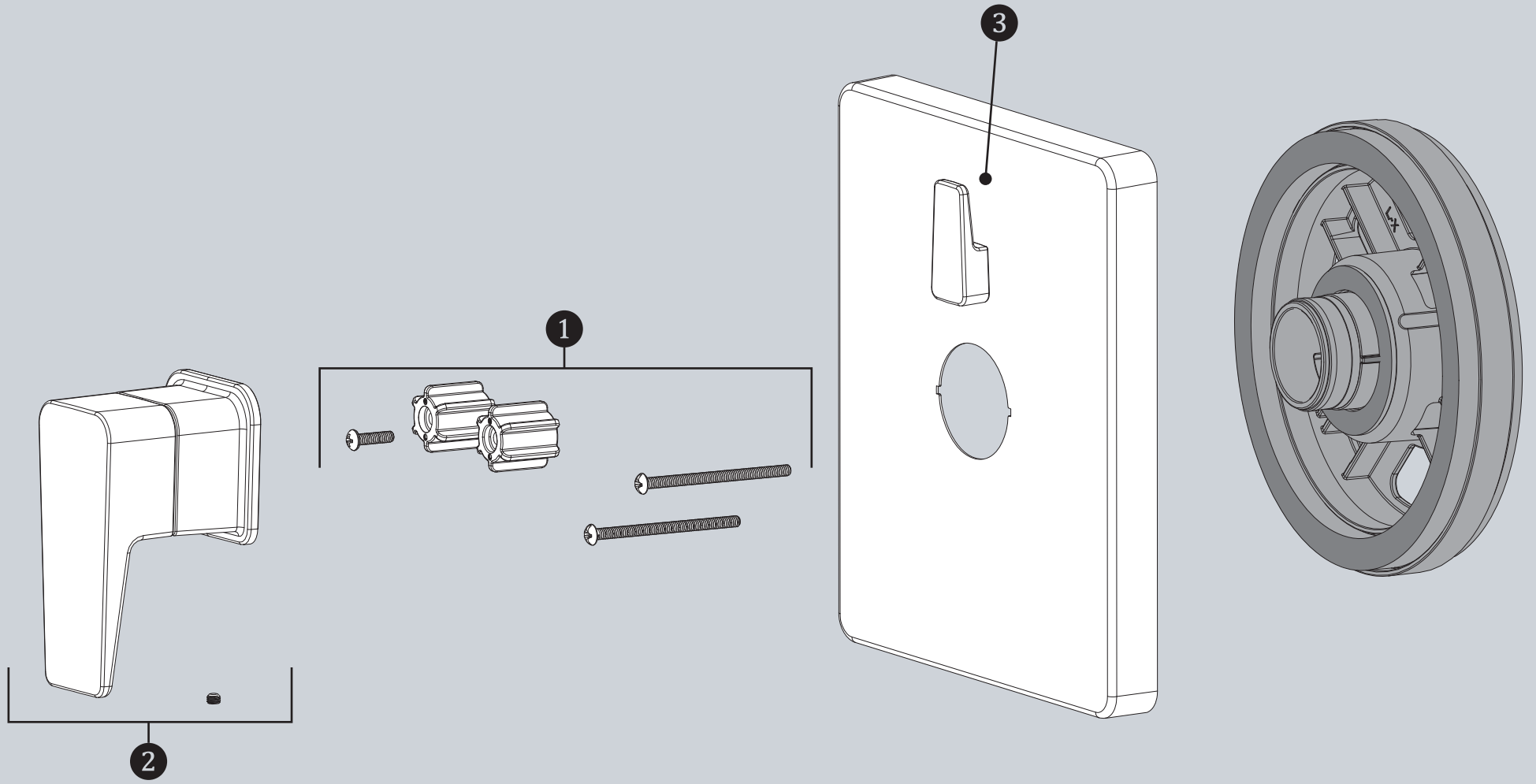
5 Place Wall Plate (3) onto Mounting Base. Align the flat tabs on the Mounting Base with the cut outs on the Wall Plate as shown for perfect fit. Verify the Diverter Valve Stem is in the OFF (vertical) position. Align the Diverter Drive Tube (4) on the Wall Plate to the Stem (5) of the Diverter Valve.



* VIEW FROM BACK OF WALL PLATE

6 Orient the Handle Assembly (1) as shown below. Place Handle Assembly (1) onto the Mounting Base while guiding the splines of the Adapter (2) into the Handle Assembly (1). Align the Mounting Base Tabs (3) into the corresponding recesses of the Handle Assembly (1). Once all items are aligned, press Handle Assembly (1) inward toward Wall Plate. Secure Handle Assembly (1) by tightening Set Screw (4) with supplied Allen Wrench.





ITEM NO.	PART NO.	DESCRIPTION
1	RPG05-0874	MOUNTING HARDWARE
2	RPG04-104273	HANDLE/ESCUTCHEON/SET SCREW
3	RPG10-104277	DIVERTER TRIM PLATE

CPT-24400 ROUGH-IN DIAGRAM

