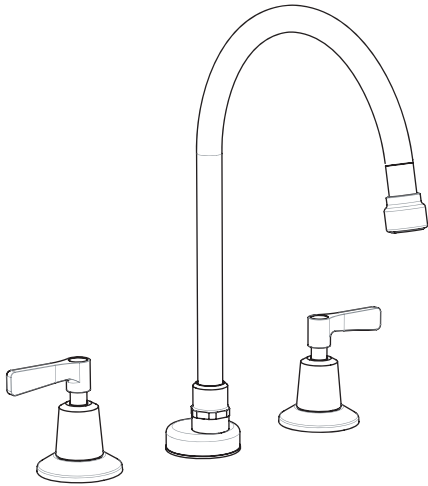


## INSTRUCTIONS FOR MODELS

SC-3002-8-LD  
SC-3002-8-LD-E  
SC-3004-8-LD  
SC-3004-8-LD-E  
SC-3004-FC-LD  
SC-3004-LD  
SC-3004-LD-E



### NEED HELP?

For additional assistance or service please contact:

**SPEAKMAN**® Company  
400 Anchor Mill Road  
New Castle, DE 19720

800-537-2107

customerservice@speakman.com

www.speakman.com

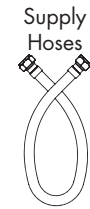
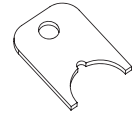
92-SC-300X-LD-R3

## TOOLS AND SUPPLIES

### REQUIRED



Aerator  
Wrench  
(supplied)



### HELPFUL

## IMPORTANT

- ⚠ This installation manual covers several models. While the appearance of your faucet may vary, the installation steps required are the same as shown in this manual.
- ⚠ Be sure to read instructions thoroughly before beginning installation.
- ⚠ Do not overtighten any connections or damage may occur.
- ⚠ This faucet has an operating range of 20-80 psi.

### SAFETY TIPS

Cover your drain to prevent loss of parts. Be sure to wear eye protection while cutting pipe.

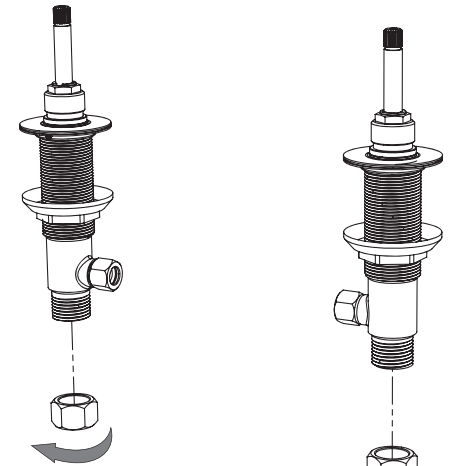
### MAINTENANCE

Your new Lavatory Faucet is designed for years of trouble-free performance. Keep it looking new by cleaning it periodically with a soft cloth. Avoid abrasive cleaners, steel wool, and harsh chemicals as these will dull the finish and void your warranty.

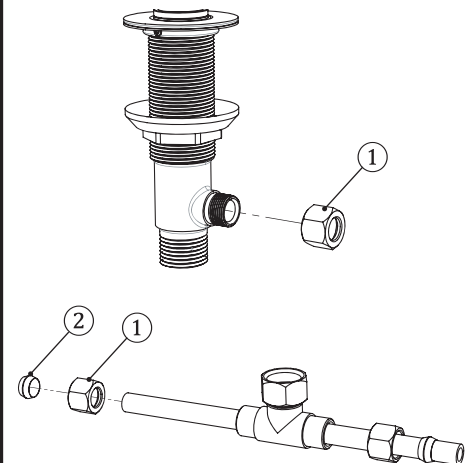
### WARRANTY

Additional warranty information can be found at: [www.speakman.com](http://www.speakman.com)

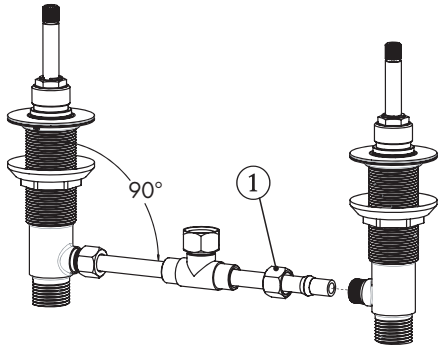
- 1 Remove the Compression Nuts from the inlets of the end body valves.



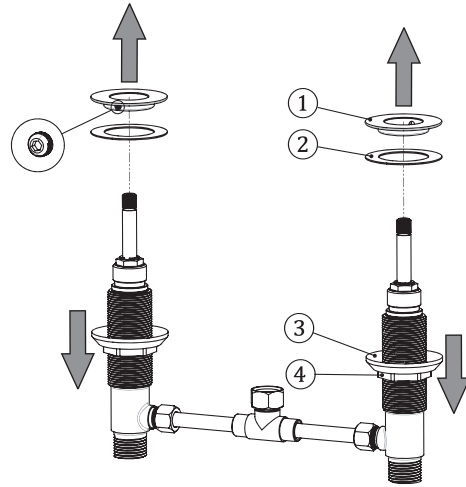
- 2 Remove Compression Nuts ① from End Bodies. Retrieve the Tee Assembly bag group. Slide a Compression Nut ①, followed by a Compression Sleeve ② over the copper pipe of each end of the Tee Assembly.



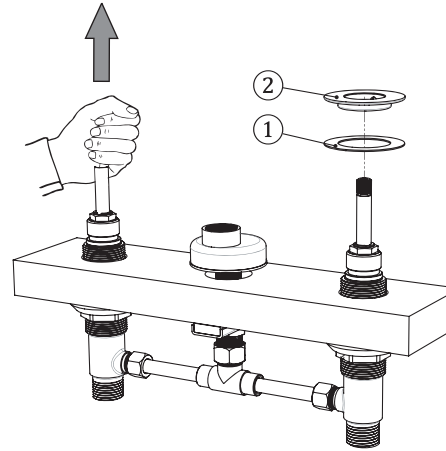
- 3** Bench assemble the Tee to the HOT and COLD end body valves. Be sure to fully seat the copper piping into the end body valves, and hand tighten Compression Nuts ① to the outlet ports. Be sure the end body valves are perpendicular to the Tee assembly.



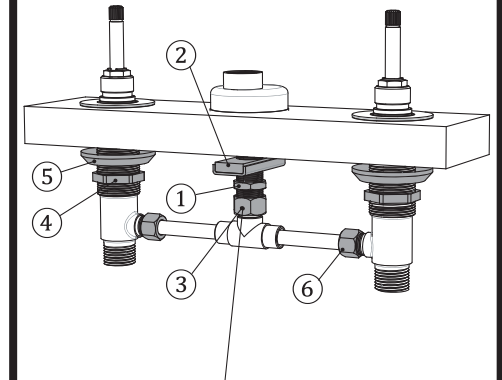
- 5** Loosen the set screws and remove the end body valve flange nuts ① and rubber washers ②. Screw the locknuts ④ and cup washers ③ down on end body valves.



- 7** While lifting the end body with tee assembly up by its spindles, replace the rubber washers ① and screw the flange nuts ② back onto the end body valves, with flat side up, till they are flush with the tops of the 1-1/8"-16 UN threads of the end body valves.

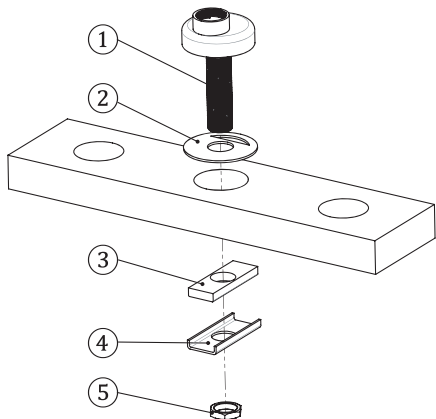


- 9** From below, wrench tighten the gooseneck flange nut ① with channel washer/spacer ②, tee swivel nut ③, end body valve locknuts ④ with cup washers ⑤, and two (2) tee compression nuts ⑥ at the outlets of the end body valves to secure the entire unit and prevent leaks.

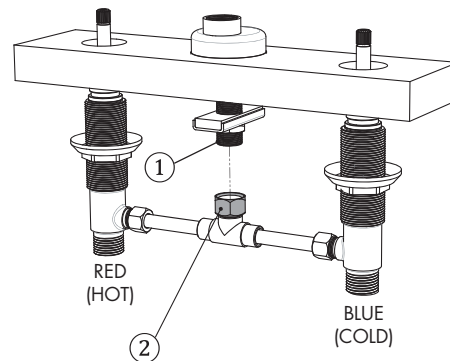


**NOTE:** Do Not Overtighten Swivel Nut

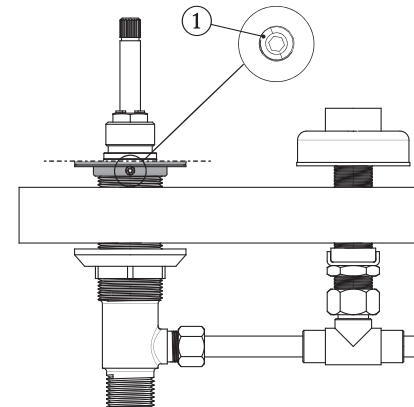
- 4** Insert and position the gooseneck flange ① with gasket ② down through the center hole of the sink or counter top, being sure the cut out of the gasket is aligned to the rear of the faucet. Assemble Rubber Washer ③, Metal Channel Washer ④ and Mounting Nut ⑤ to shank and thread only half way up the shank.



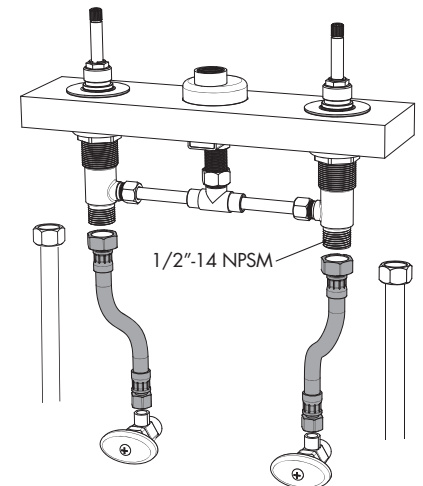
- 6** From below the counter top, push the end body with tee assembly up through the outer holes in the sink or counter top. NOTE: Blue colored end body (COLD) should be on the right side of tee assembly, Red colored end body (HOT) on the left. Hand tighten the tee assembly's swivel nut ② to the shank of the gooseneck flange ①.



- 8** Ensure the Flange Nuts are flush with the tops of the 1-1/8"-16 UN threads, then tighten set screws ①.

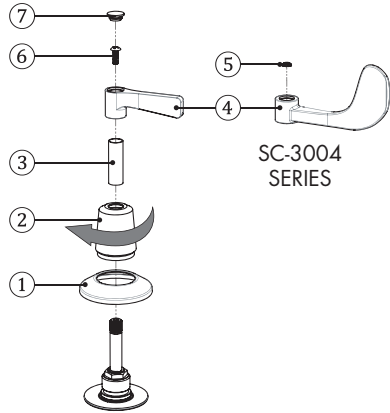


- 10** Connect water supply lines to inlets (1/2"-14 NPSM male threads) of the end body valves and wrench tighten coupling nuts to prevent leaks.

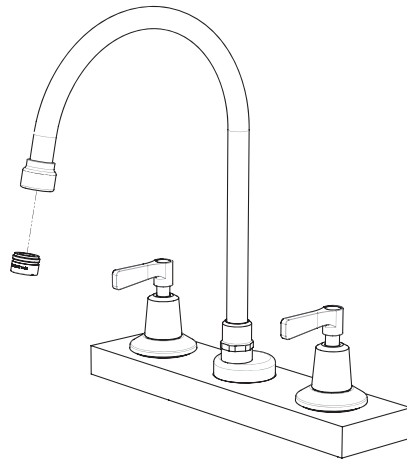


**NOTE:** Flex Hoses and Shut Off Valves not included.

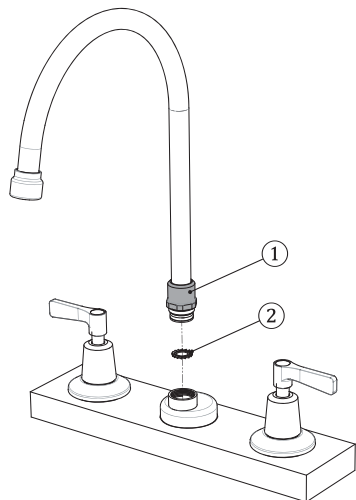
- 11** From above the sink, place decorative flange ①, then screw escutcheon ② onto end body valve assemblies and hand tighten. Slip trim sleeves ③ onto spindles. Position handles ④, lock washers ⑤ (SC-3004 series) and use screws ⑥ to secure to spindles. Position index buttons ⑦ on handles (blue on right handle, red on left handle) and press into place.



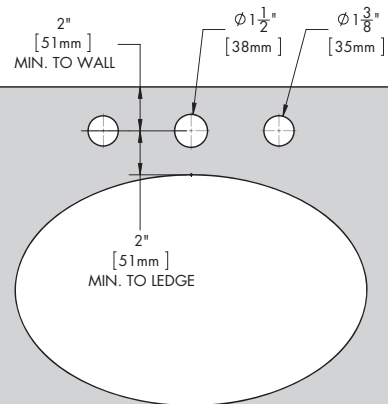
- 13** Turn on water supplies and flush both HOT and COLD cartridges for one minute, while checking for leaks. Once completed, install aerator into spout end using supplied aerator wrench.



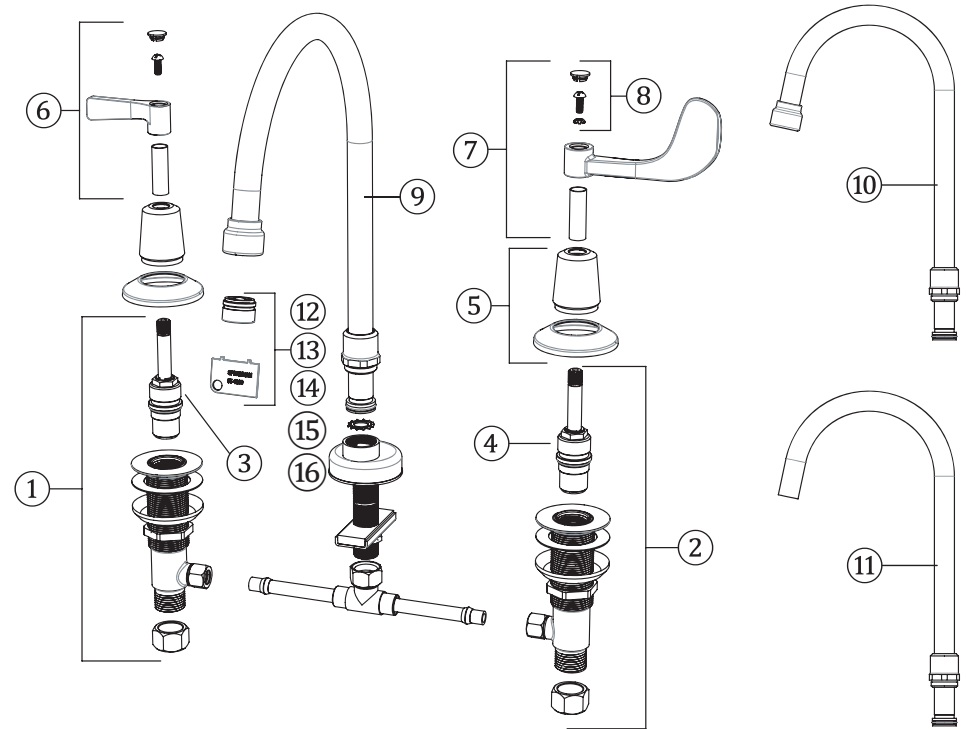
- 12** Assemble gooseneck to flange assembly by wrench tightening gooseneck collar nut ①. **NOTE:** For rigid gooseneck, place locking washer ② from hardware bag group into flange outlet before assembling gooseneck.



### LAVATORY ROUGH IN



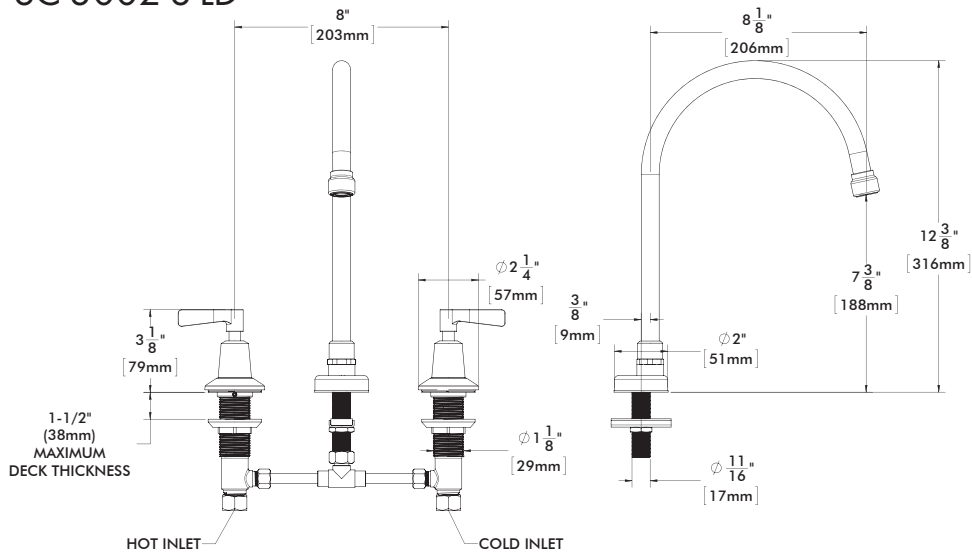
### REPAIR PART GROUPS



ITEM	PART NUMBER	DESCRIPTION
1	RPG20-2011-CA	END BODY ASSEMBLY (RED) W/ MOUNTING HARDWARE & HOSE ADAPTER
2	RPG20-2012-CA	END BODY ASSEMBLY (BLUE) W/ MOUNTING HARDWARE & HOSE ADAPTER
3	RPG05-0534-CA	PERFECT VALVE GROUP (RED) WITH TRIM SLEEVE & SCREW
4	RPG05-0535-CA	PERFECT VALVE GROUP (BLUE) WITH TRIM SLEEVE & SCREW
5	RPG10-0070-PC	TRIM COLLAR & FLANGE GROUP
6	RPG04-0320-PC	METAL LEVER HANDLE GROUP
7	RPG04-0316-PC	4" WRIST BLADE HANDLE GROUP
8	RPG41-0285	RED, BLUE, & CHROME INDEXES WITH SCREWS & LOCK WASHERS
9	G18-0217-CA	8" GOOSENECK ASSEMBLY (INCLUDING O-RING)
10	RPG18-0213-CA	5" GOOSENECK ASSEMBLY (INCLUDING O-RING)
11	RPG18-0212-CA	5" FC GOOSENECK ASSEMBLY (INCLUDING O-RING)
12	RPG05-0837-PC	1.5 GPM (5.7 L/min) AERATOR ASSEMBLY WITH WRENCH
13	RPG38-0128-PC	BOCA FLOW OUTLET ASSEMBLY WITH WRENCH
14	RPG05-0851-PC	1.5 GPM (5.7 L/min) LAMINAR FLOW OUTLET ASSEMBLY WITH WRENCH
15	RPG05-40005	1.2 GPM (4.5 L/min) AERATOR ASSEMBLY WITH WRENCH
16	RPG05-40015	1.2 GPM (4.5 L/min) LAMINAR FLOW OUTLET ASSEMBLY WITH WRENCH

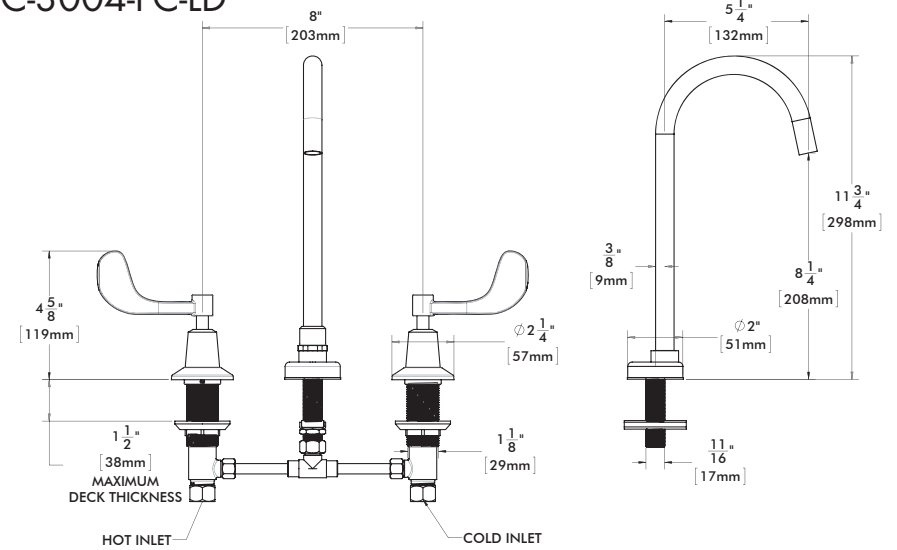
ROUGH IN DIMENSIONS ⬇

SC-3002-8-LD



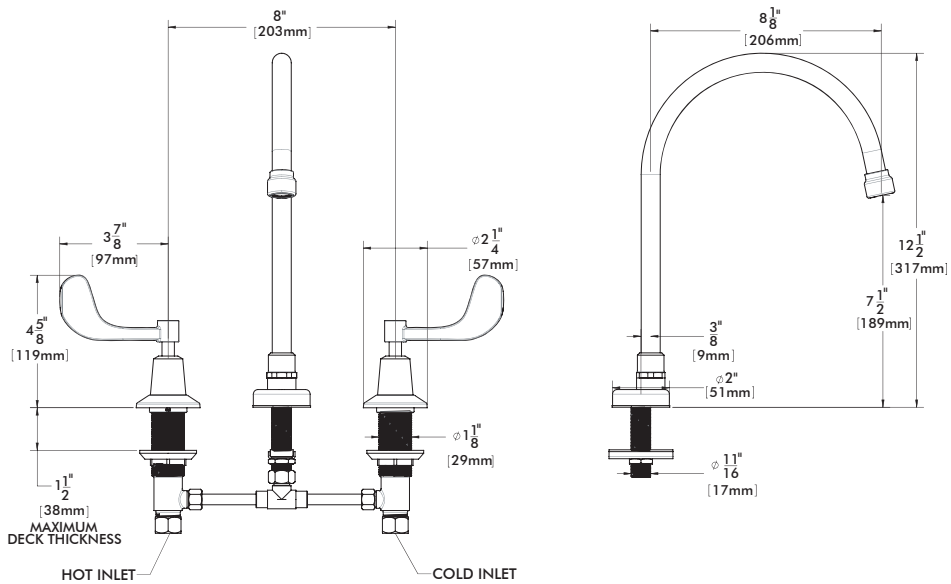
ROUGH IN DIMENSIONS ⬇

SC-3004-FC-LD



ROUGH IN DIMENSIONS ⬇

SC-3004-8-LD



ROUGH IN DIMENSIONS ⬇

SC-3004-LD

