

SPEAKMAN®

S-8800, S-8800-CA, S-8800-CA-E

Installation, Maintenance & Operation Instructions

SENSORFLO® AC/ELECTRIC POWERED LOW SPOUT LAVATORY FAUCET

DESCRIPTION

Speakman SENSORFLO faucet. AC/Electric powered low spout lavatory sensor faucet. All metal spout assembly, consists of polished chrome plated removable cover and black powder coated chassis. Sensor/electronics module housed above counter in the faucet body. Sensor module powered by 120 Volt AC transformer. Solenoid with built-in filter. Vandal resistant 60 second time out feature. Water conserving vandal resistant recessed aerator reduces water flow to 1.5 GPM/5.7 LPM (MAX) to meet requirements of ANSI A112.18.1M for flow rates. ADA compliant. Note: 3/8" compression stainless steel hoses are optional.

SPECIFICATIONS

TRANSFORMER: 120 VOLT AC
INLET SUPPLY: 3/8" COMPRESSION WITH MALE THREADS
FLOW RATE: 1.5 GPM/5.7 LPM (MAX)
SHIPPING WEIGHT: 4.7 LBS

OPTIONS:

BO	Vandal Resistant 0.5 GPM Flow Control
HS	3 Stainless Steel Hoses for use with Tee or Mixer
HTS	1 Stainless Steel Flexible Hose
GB	Vandal Resistant 1.5 GPM Aerator Outlet Device
ELF	Vandal Resistant Laminar 1.2 GPM Flow Control

LF	Vandal Resistant Laminar 1.5 GPM Flow Control
T	Tee with check valves
TMV	Under-Counter Thermostatic Mixing Valve with check valves
VRS	Vandal Resistant Screws with Wrench

INSTALLATION

Install vandal resistant aerator with wrench provided. Ensure gasket is properly seated on bottom of faucet chassis. Carefully feed wires from faucet through deck hole, mounting faucet on fixture. Attach notched wire guard (notched end up) washer and lock nut onto faucet shank and secure faucet to fixture. CAUTION: Sensor module wire must be inside channel of rubber wire guard to keep wire from being pinched or cut when tightening washer and lock nut. Attach outlet of solenoid valve to shank of faucet. Attach supply to solenoid valve using 3/8" compression fittings. DRY CONNECTIONS ONLY. Plug AC transformer unit into 120 VAC outlet and connect wire with black plug on faucet to plug on the transformer. Connect yellow wire from faucet to same colored wire on solenoid valve. With drain installed, turn on water and activate the faucet, checking for proper operation and all connections for leaks.

OPERATION

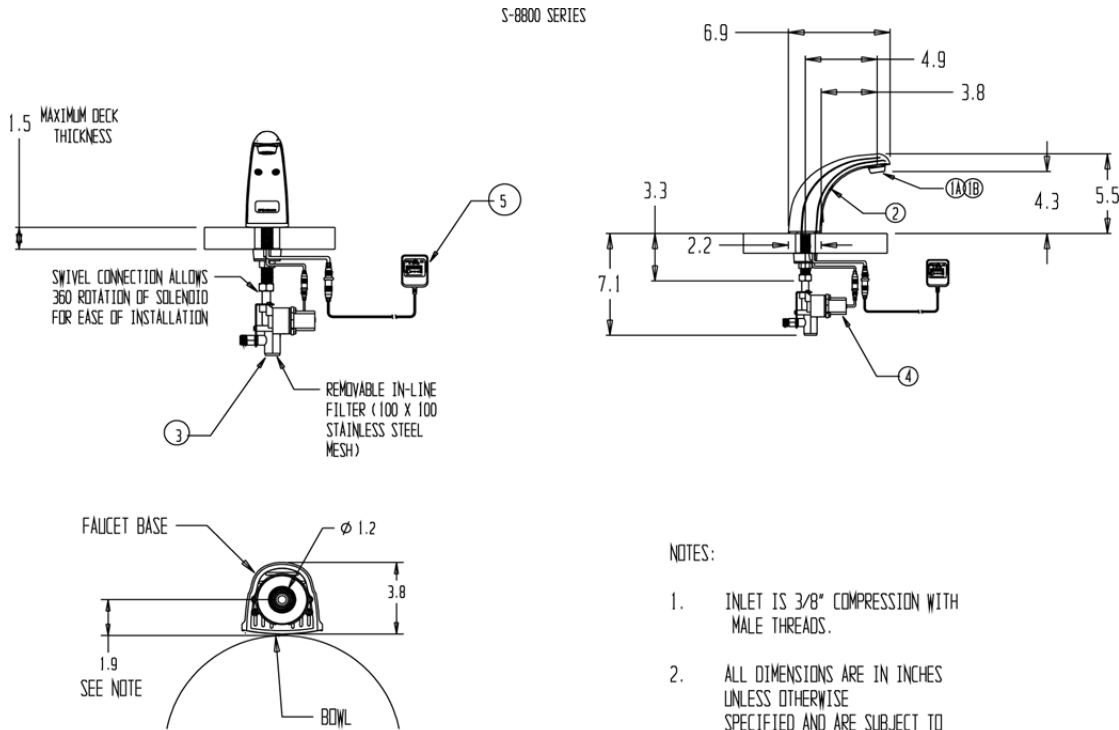
Speakman SENSORFLO faucets are thoughtfully designed for all in mind. Require no handles to turn, lift or push, water flows only when hands are in the lavatory basin. Built in vandal resistant circuitry shuts off the water after continuous flow of approximately 60 seconds. This feature prevents flooding; water is easily turned on again by placing one's hands under the lavatory spout.

SPEAKMAN®

400 Anchor Mill Rd. New Castle, DE 19720 Phone: 800-537-2107 Fax: 800-977-2747
7/28/15 www.speakman.com 92-S-8700-R5

MAINTENANCE

Your SENSORFLO faucet is designed and engineered in accordance with the highest quality and performance standards. With proper care it will provide years of trouble free service. Periodically the faucet will require some minor maintenance to keep it performing at peak performance. Periodically check the solenoid filter for debris. If debris is present clean the filter toughly. The polished chrome finish of your faucet should be cleaned using mild soap and warm water. Dry immediately with a soft, clean cloth for best results.



NOTE: *

POSITION FAUCET AS CLOSE TO THE EDGE OF THE SINK AS POSSIBLE. ENSURE ADEQUATE CLEARANCE FOR WIRE PROTECTOR, WIRES, WASHERS, AND NUT.

ITEM	REPAIR PART	DESCRIPTION
1A	RPG05-0837-PC	1.5GPM AERATOR
1B	RPG38-0128-PC	0.5GPM FLOW CONTROL
1C	RPG05-40005	1.2GPM AERATOR
1D	RPG05-40015	1.2GPM LAMINAR FLOW OUTLET
2	RPG10-0068-PC	COVER WITH SCREWS
3	RPG66-0044	SOLENOID FILTER SCREEN
4	RPG76-0033	SOLENOID VALVE ASSEMBLY
5	RPG66-0159	LAVATORY SENSOR MODULE WITH AC ADAPTER
6	RPG76-0039	SOLENOID DIAPHRAGM & O-RING REPAIR KIT

SPEAKMAN®