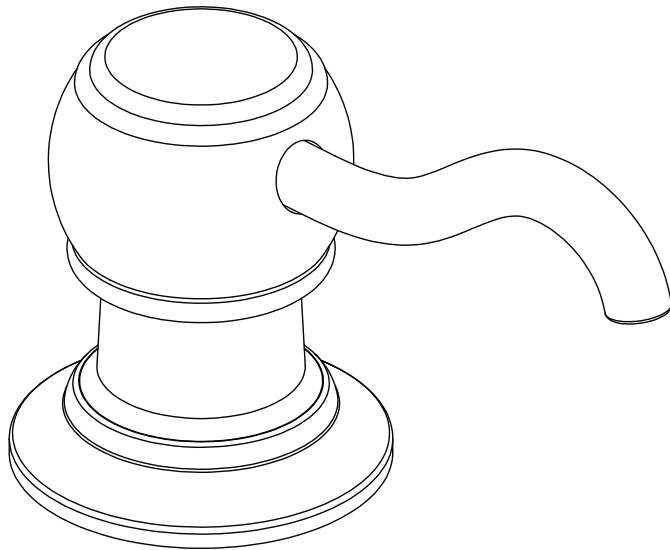


SPEAKMAN®

Soap Dispenser SI-A101

SPECIFICATION



FEATURES:

- Brass construction
- Transitional Styling
- Includes Under Counter Bottle & Mounting hardware

COMPLIANCE:

- Meets ADA Standard

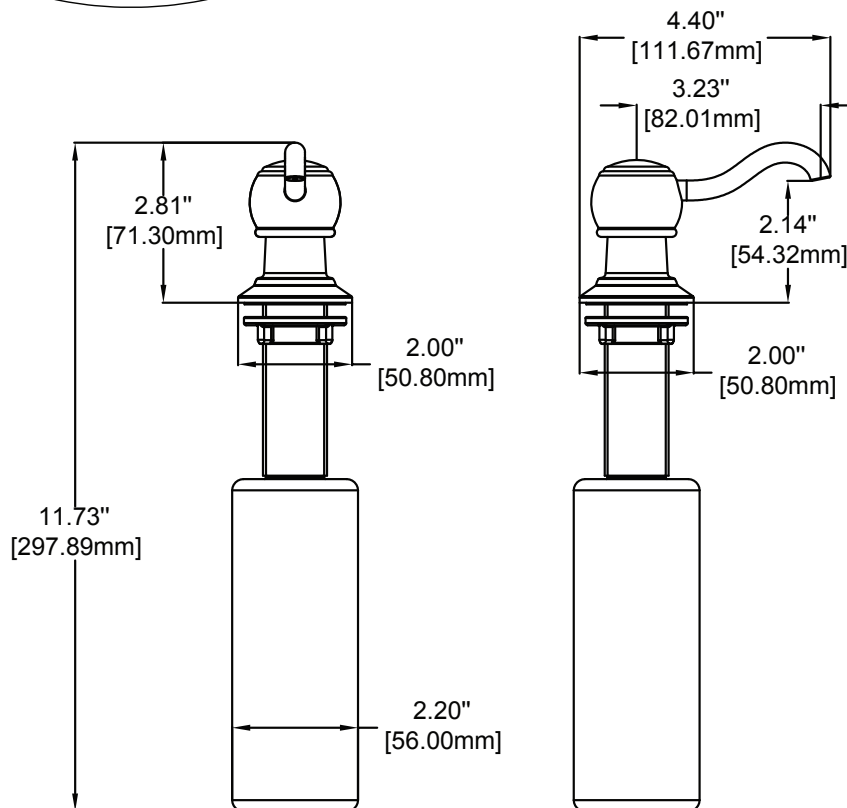
AVAILABLE FINISHES:

ADD SUFFIX TO MODEL #

- Polished Chrome (standard) -PC
- Brushed Nickel -BN

WARRANTY:

- 1 year limited



THIS SPACE FOR ARCHITECT/ENGINEER APPROVAL.

SPEAKMAN®

400 ANCHOR MILL ROAD | NEW CASTLE, DE 19720
P: 800-537-2107 | F: 800-977-2747
WWW.SPEAKMANCOMPANY.COM

REVISION DATE: JUNE 2013

Management Systems
Registered to ISO 9001