

SPEAKMAN® SA-2209

Lewes™ Glass Shelf

FEATURES:

- Brass Components
- Mounting hardware included

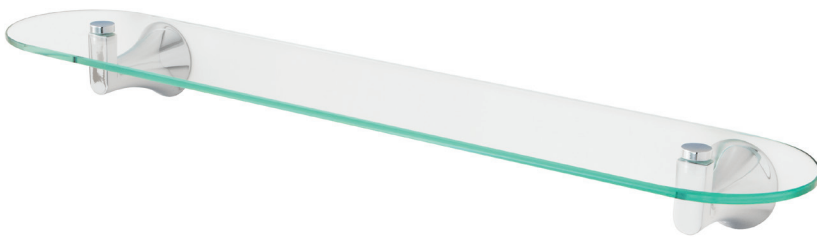
FINISH:



PC BN

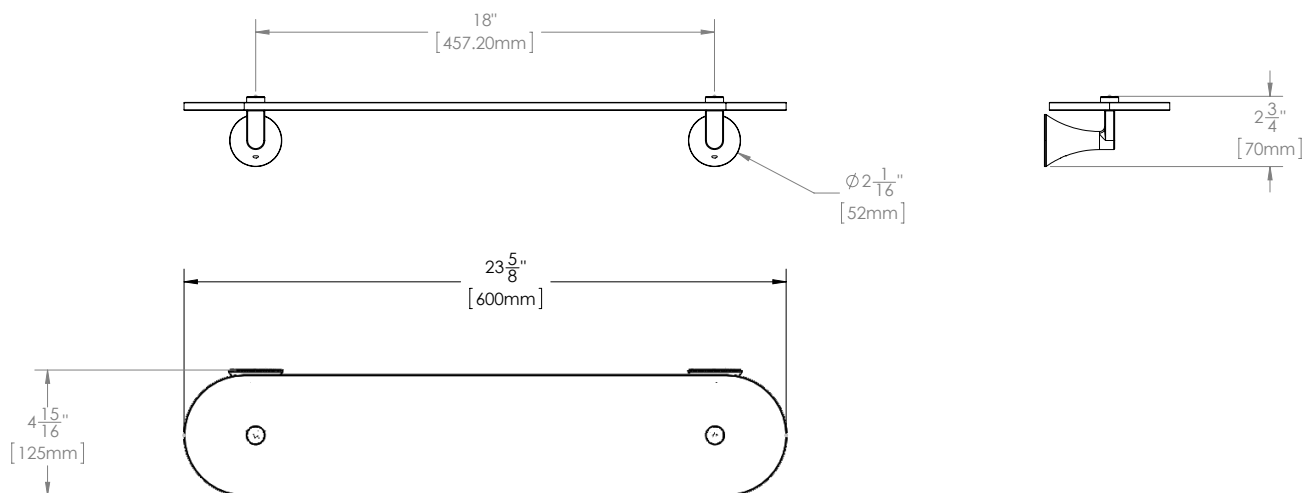
WARRANTY:

- 1 year limited



DIMENSIONS:

NOTE: 1. All dimensions are in inches (millimeters) unless otherwise specified and are subject to change without notice.



Architect/Engineer Approval Space:

SPEAKMAN
400 ANCHOR MILL ROAD
NEW CASTLE, DE 19720

P: 800-537-2107
F: 800-977-2747
W: WWW.SPEAKMAN.COM
R: DECEMBER 2016