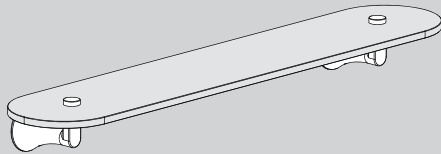


INSTRUCTIONS FOR MODELS


SA-2209



NEED HELP?

For additional assistance or service please contact:

SPEAKMAN® Company
400 Anchor Mill Road
New Castle, DE 19720

 800-537-2107

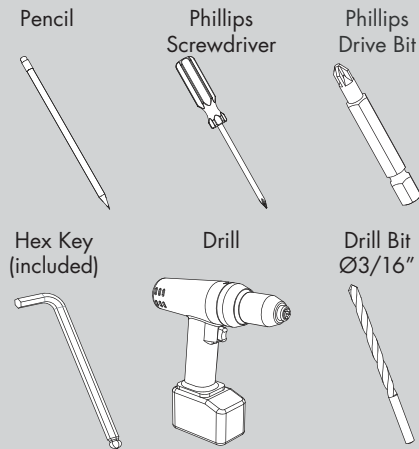
 customerservice@speakman.com

 www.speakman.com

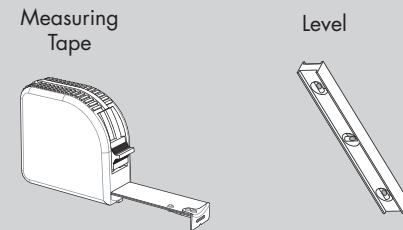
92-SA-2209-03

TOOLS AND SUPPLIES

REQUIRED TOOLS & SUPPLIES:



HELPFUL TOOLS & SUPPLIES:



SAFETY TIPS

Be sure to wear eye protection.

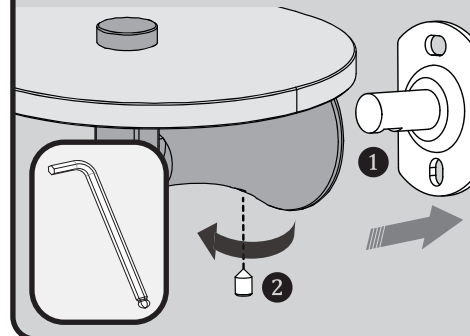
MAINTENANCE

Your new Speakman Product is designed for years of trouble-free performance. Keep it looking new by cleaning it periodically with a soft cloth. Avoid abrasive cleaners, steel wool, and harsh chemicals as these will dull the finish and void your warranty.

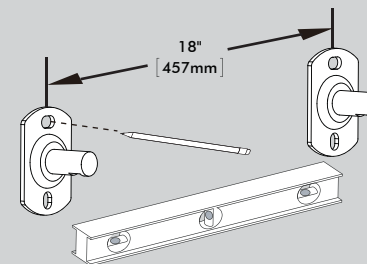
WARRANTY

Additional warranty information can be found at:
www.speakman.com

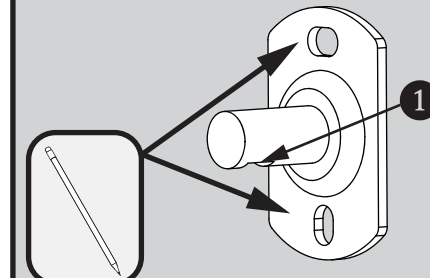
1 The Mounting Plates (1) come pre-installed in the Brackets (2). Remove the Mounting Plates by loosening the pre-installed set screw at bottom with the included Hex Key.



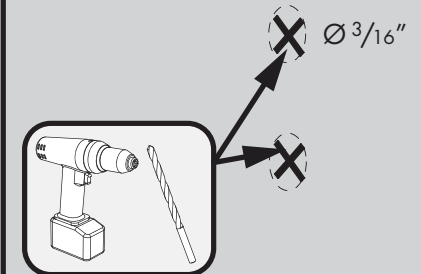
2 Place Mounting Plates into desired position, using a level to position them accordingly. Mark mounting hole locations with a pencil. Remove Mounting Plate from wall.



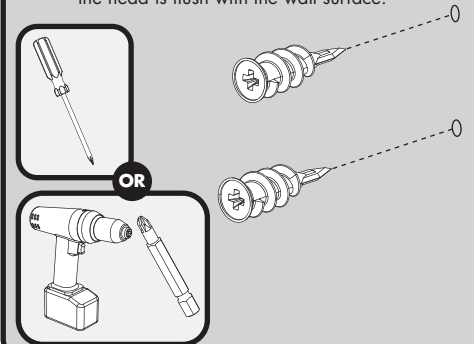
3 Align Mounting Plate over center point marked in previous step. Mounting Plate should be vertical with Notch in the cylinder (1) pointing to the bottom as shown below. Mark Mounting Screw locations onto the wall surface. Remove items after marking mounting locations.



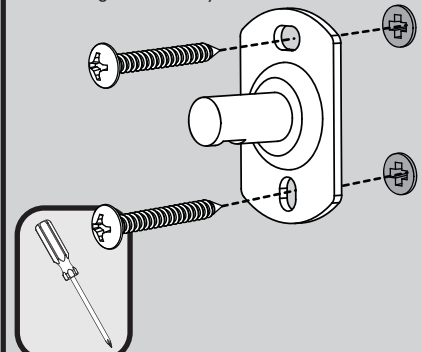
4 If mounting directly to wood stud, Plastic Anchors are not required. If mounting to tile, acquire proper mounting hardware capable of supporting the accessory in use. If mounting to drywall, drill guide holes at marked locations using a Drill equipped with a Ø3/16" bit.



5 Insert Plastic Anchors into drilled holes and screw in the anchor using a Phillips Head screwdriver, or a Drill equipped with a Phillips Driver Bit until the head is flush with the wall surface.



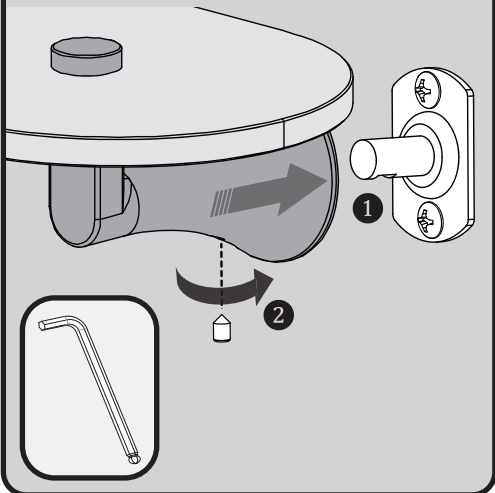
6 Secure Mounting Plate with the Mounting Screws provided. Verify that the Mounting Plate is aligned vertically.



7

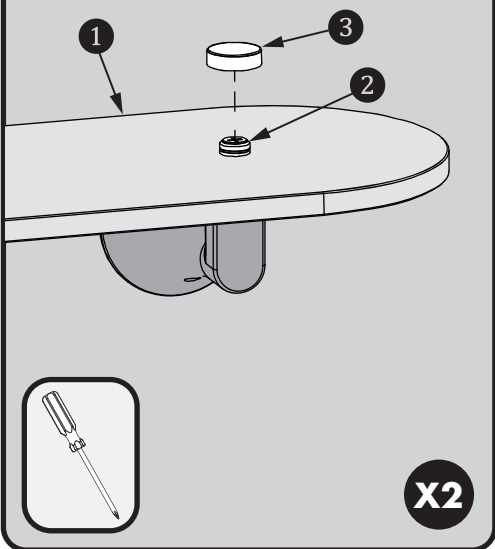
Secure Brackets (2) over Mounting Plate (1) and tighten pre-installed set screw at bottom with the included Hex Key.

NOTE: If the shelf unit is not lining up correctly, the Mounting Plates need to be re-positioned. Repeat Steps 1 thru 4.



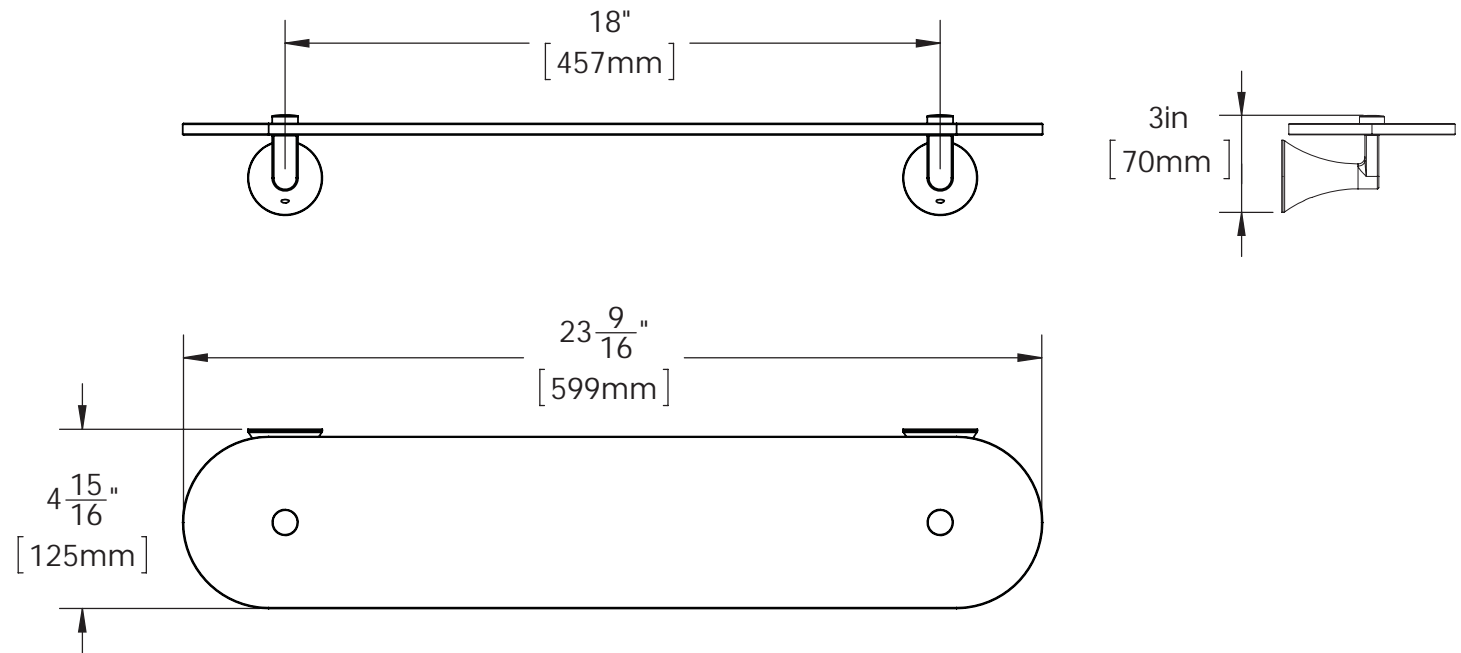
8

If the Glass Shelf (1) is slightly loose, remove decorative Cap (3) and tighten the Screw (2). Take care to not over tighten or damage may occur. Place decorative Cap back into position over the Screw.



SA-2209 ROUGH-IN DIAGRAM

SPEAKMAN®



DIMENSIONS SUBJECT TO CHANGE WITHOUT NOTICE.