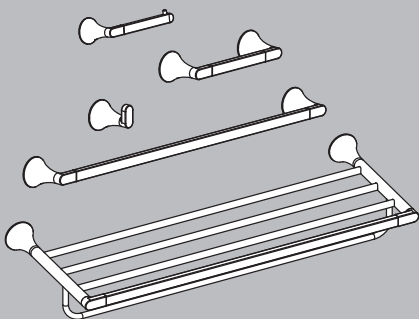


INSTRUCTIONS FOR MODELS

- SA-2203 TOWEL RACK
- SA-2204 7" TOWEL BAR
- SA-2205 PAPER HOLDER
- SA-2206 ROBE HOOK
- SA-2207 24" TOWEL BAR



NEED HELP?

For additional assistance or service please contact:

SPEAKMAN® Company
400 Anchor Mill Road
New Castle, DE 19720

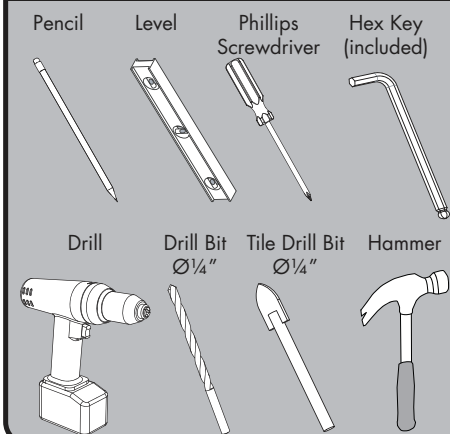
800-537-2107

customerservice@speakman.com

www.speakman.com

92-SA-2200-01

TOOLS AND SUPPLIES



IMPORTANT

- Do not over-tighten any connections or damage may occur.
- Be sure to read instructions thoroughly before beginning installation.

SAFETY TIPS

Cover your drain to prevent loss of parts.

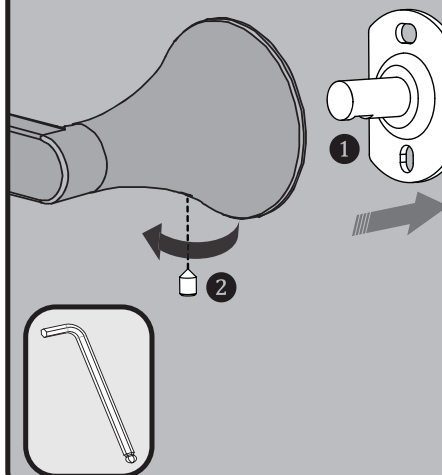
MAINTENANCE

Your new Speakman Product is designed for years of trouble-free performance. Keep it looking new by cleaning it periodically with a soft cloth. The use of harsh chemicals and abrasives on any of the Speakman custom finish products may damage the finish and void the product warranty. Please be sure to only use approved cleaners. Please contact Speakman for any clarification of acceptable cleaners.

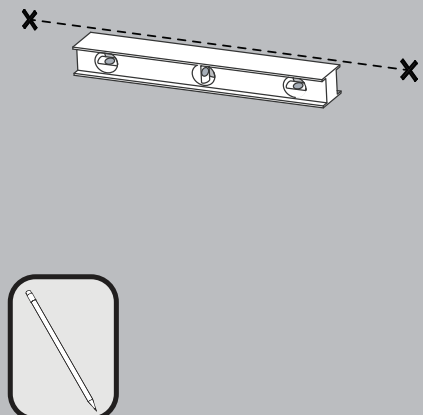
WARRANTY

Additional warranty information can be found at:
www.speakman.com

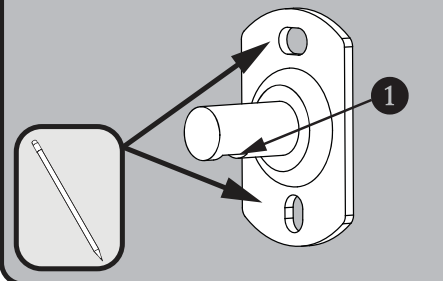
1 The Mounting Plate (1) comes pre-installed in the Accessory (2). Remove the Mounting Plate(s) by loosening the pre-installed set screw at bottom with the included Hex Key.



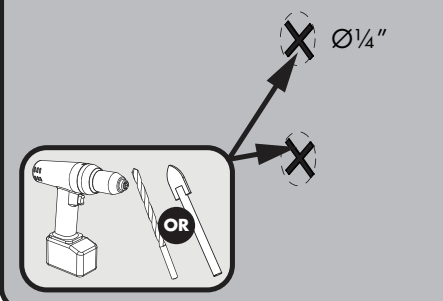
2 At the selected height, mark center point of mounting locations onto wall referencing the rough in diagram.



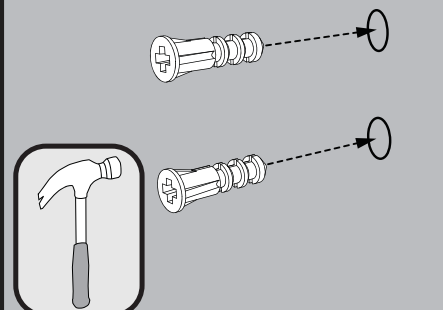
3 Align Mounting Plate over center point marked in previous step. Mounting Plate should be vertical with Notch in the cylinder (1) pointing to the bottom as shown below. Mark Mounting Screw locations onto the wall surface. Remove items after marking mounting locations.



4 If mounting directly to wood stud, Plastic Anchors are not required. If using anchors, select proper drill bit for mounting location. Drill ¼" holes in marked locations.

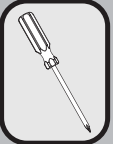
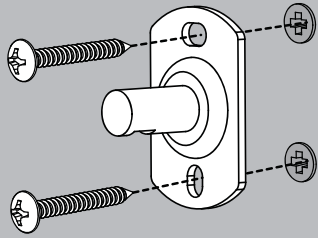


5 Insert Plastic Anchors into drilled holes and tap lightly with Hammer to fully seat Plastic Anchor into the hole.



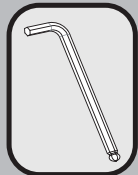
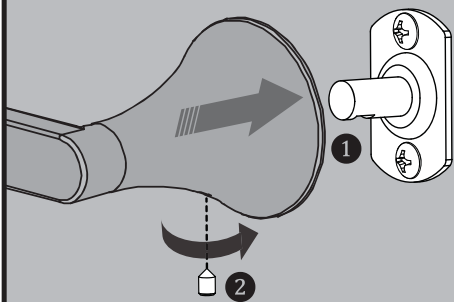
6

Secure Mounting Plate with the Mounting Screws provided. Verify that the Mounting Plate is aligned vertically.



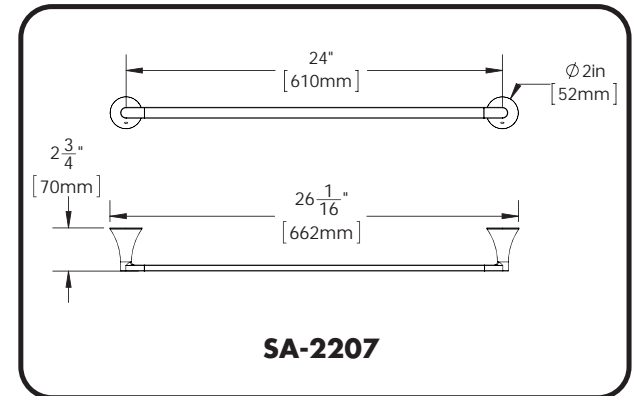
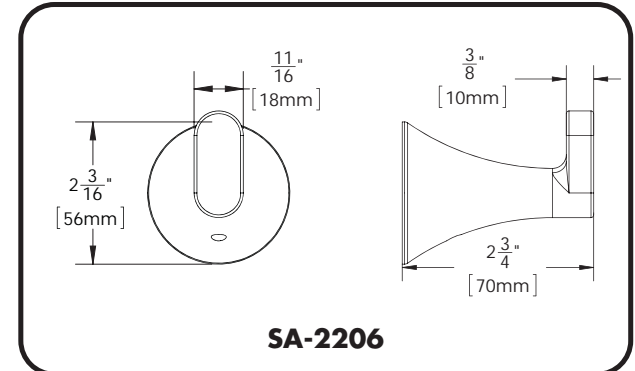
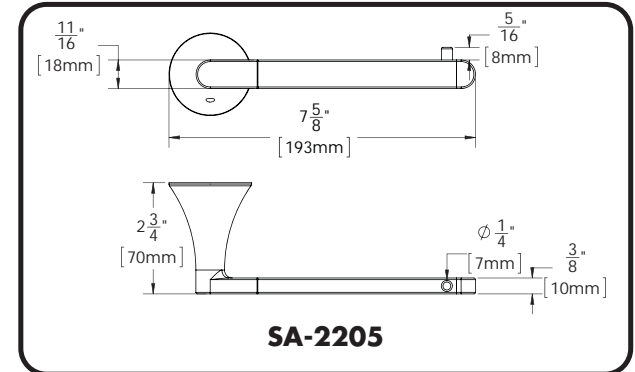
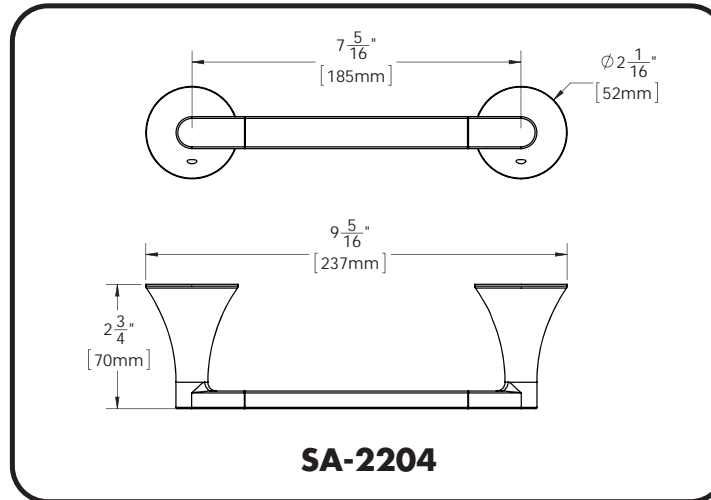
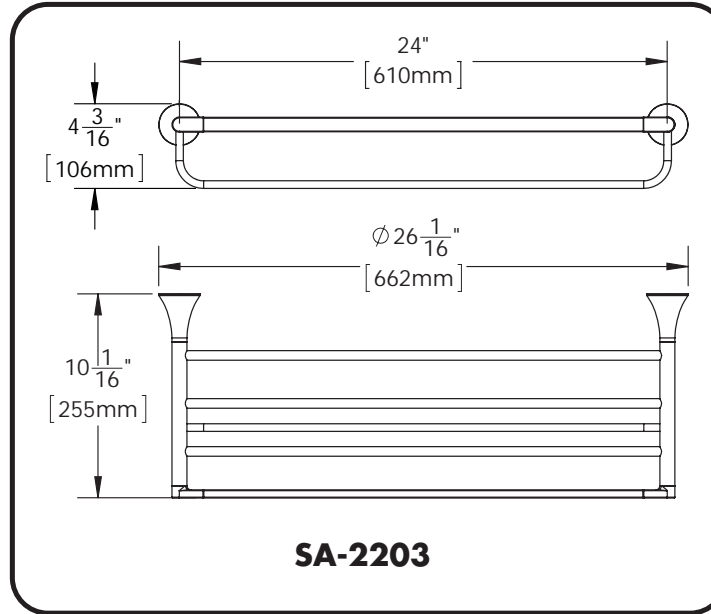
7

Place Accessory (1) over Mounting Bracket and secure the pre-installed set screw (2) with the included Hex Key.



ROUGH-IN DIAGRAMS

SPEAKMAN®



DIMENSIONS SUBJECT TO CHANGE WITHOUT NOTICE.