

Neo™ Towel Bar

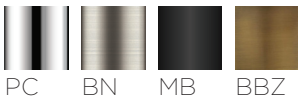
MODELS:

- SA-2007: 23-5/8" Towel Bar
- SA-2007-18: 18" Towel Bar

FEATURES:

- Towel Bar measures 23-5/8" or 18" wide
- Brass construction
- Corrosion resistant finishes
- Mounting hardware is included
- Coordinates with Neo Collection

STOCK FINISHES:



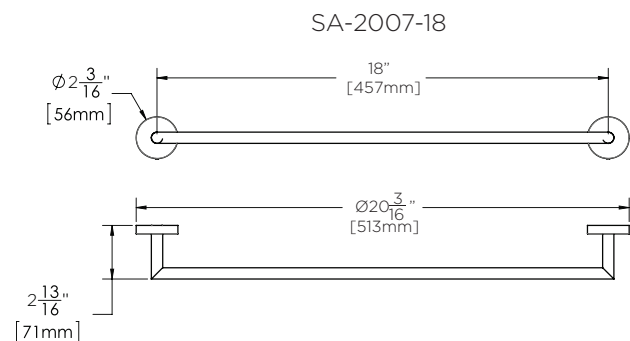
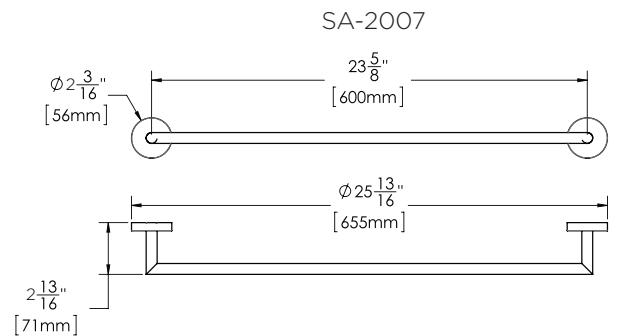
SPECIALTY FINISHES:



WARRANTY:

Visit www.speakman.com for full product warranty information

- Limited Lifetime Warranty (consumer)
- 1 Year Limited Warranty (commercial)



All dimensions are in inches (millimeters) unless otherwise specified and are subject to change without notice.

Architect/Engineer Approval Space:

P: 800-537-2107
F: 800-977-2747
W: WWW.SPEAKMAN.COM
R: 04-AUGUST 2021