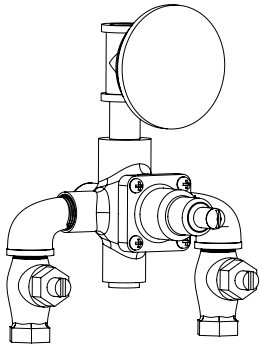
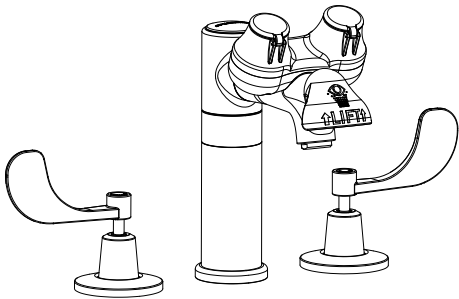


Instructions for Models:

SEF-1801-TW
SEF-1801-8-TW
EYESAVER®

Combination Faucet
With Tepid Water Supply



Need Help?

For additional assistance or service call:

SPEAKMAN Company
400 Anchor Mill Road
New Castle, DE 19720

PHONE: 800-537-2107
EMAIL: customerservice@speakmancompany.com
WEB: www.speakmancompany.com

92-SEF-1801-TW-R1

What You Need To Know:

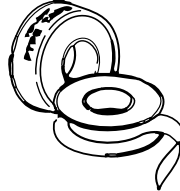
Tools:

Required:

Crescent
Wrench



Teflon
Tape



Helpful:

Flat Head
Screwdriver



Important Notes:

The supply line for this unit shall provide an uninterrupted supply of flushing fluid at a minimum of 30 psi flowing pressure. If shut off valves are installed in the supply line of the eyewash, provisions shall be made to prevent unauthorized shut off. ANSI Z358.1 requires that all emergency equipment shall be tested weekly to verify proper operation and inspected annually to assure conformance with ANSI Z358.1 requirements. Be sure to read instructions thoroughly before beginning installation. Do not overtighten any connections or damage may occur.

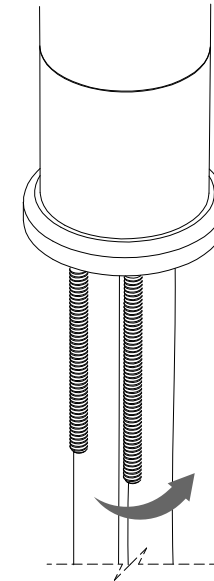
Safety Tips:

Cover your drain to prevent loss of parts. Always wear eye protection.

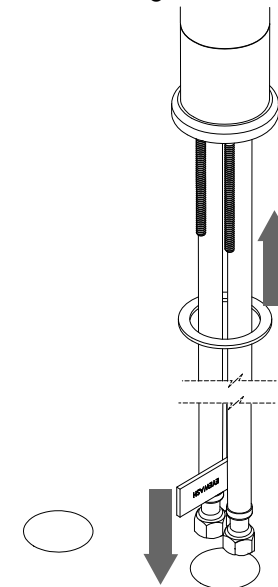
Maintenance:

Keep the EYESAVER® faucet looking new by cleaning it periodically with a soft cloth. Avoid abrasive cleaners, steel wool, and harsh chemicals as these will dull the finish and void your warranty.

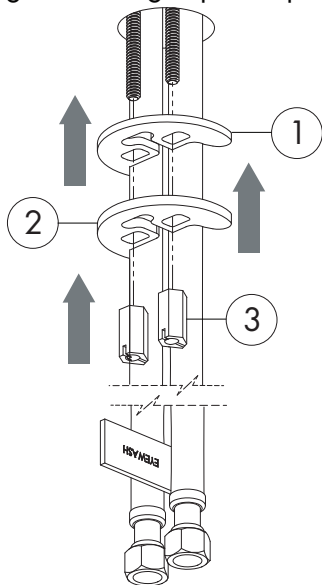
- 1 Turn off water supply. Verify diameter of hole in countertop is a minimum of 1-1/4". Install mounting studs into base of spout.



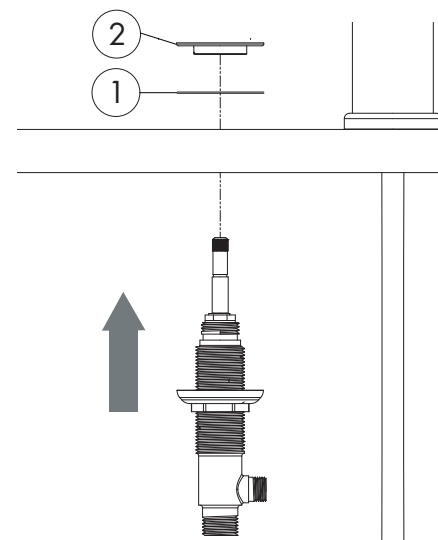
- 2 Install bottom washer over hoses and slide up to meet the base of the spout. Place hoses through hole in countertop/sink one at a time. Place spout with studs through hole.



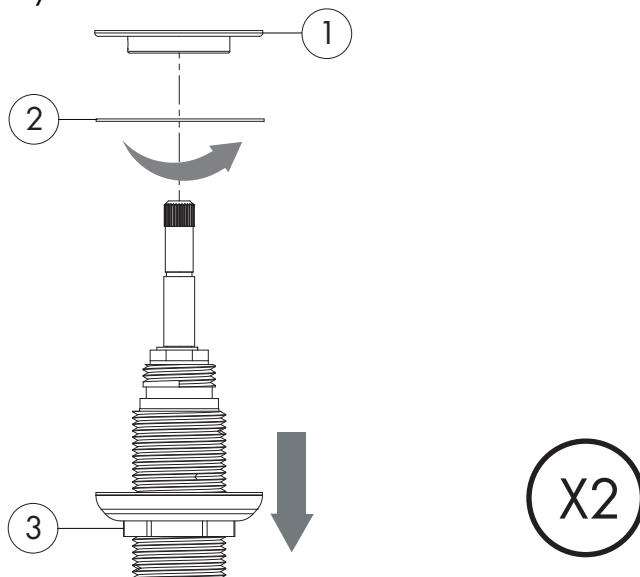
- ③ From beneath countertop, slide the rubber mounting washer (1), then brass mounting washer (2) over the mounting studs. Thread brass nuts (3) onto mounting studs. Align spout square to sink and tighten mounting nuts (3).



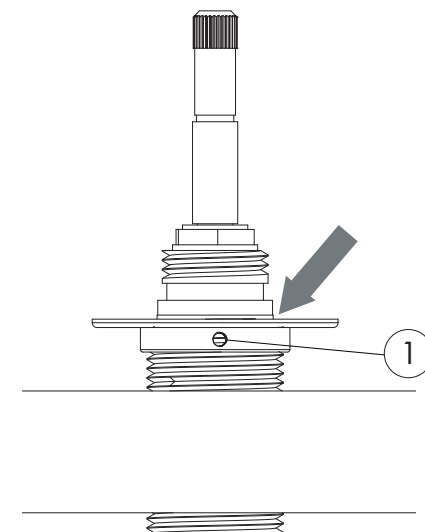
- ⑤ Locate end body with a red marking. From below, position the red (HOT) end body up through the corresponding hole location in the countertop and loosely secure with rubber washer (1) and end body flange nut (2). Repeat process for the blue (COLD) end body.



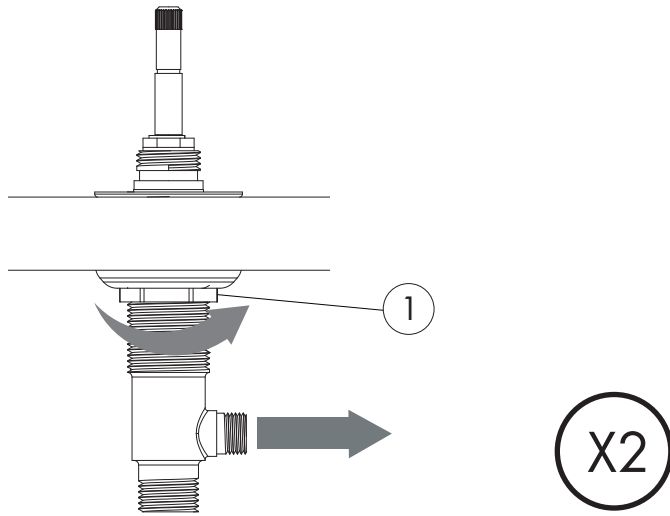
- ④ The end bodies are installed next. First, the end body flange nuts (1) and rubber washers (2) must be removed. At the same time, loosen the mounting nut (3) to lower the cup washer. Repeat process for the blue (COLD) end body.



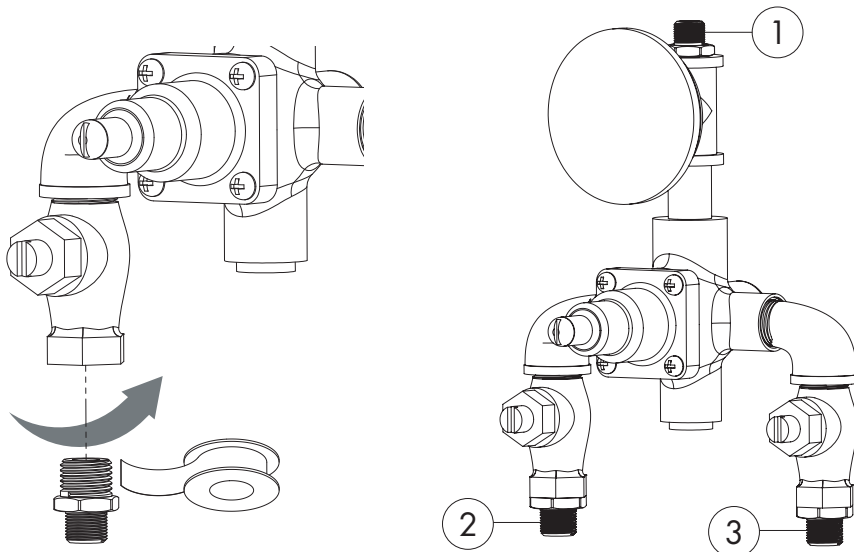
- ⑥ While holding the end body from below, tighten end body flange nut until the top is flush with the start of the chamfer (see below). Tighten the set screw (1) to secure this position. Repeat for the blue (COLD) end body.



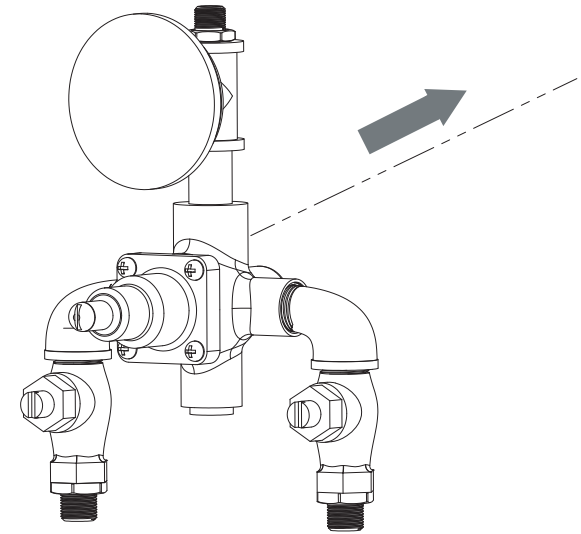
- 7 Tighten the lower nut (1) to secure the end body to the sink. Be sure to keep the end body outlet oriented towards the spout. Repeat for the other end body.



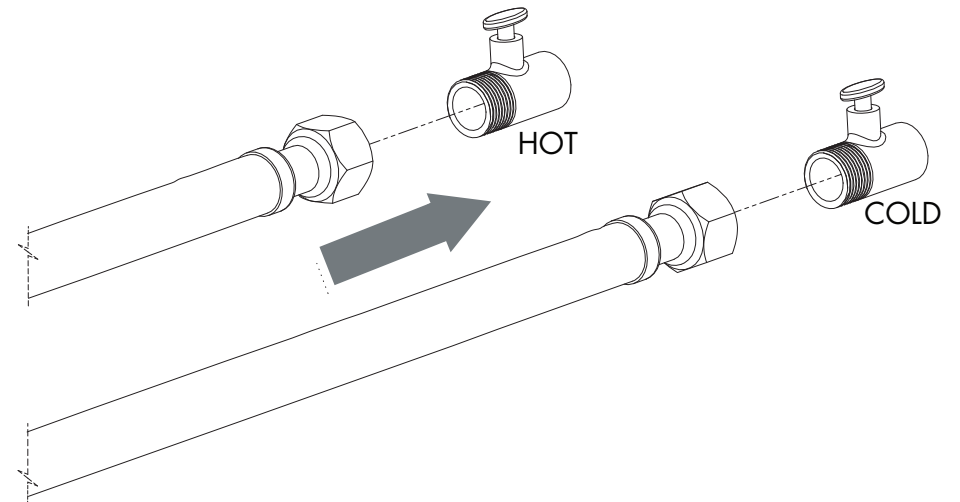
- 8 Prepare the SE-370 for mounting by applying Teflon tape to the larger 1/2" threads of adapters. Install and wrench tighten adapters in the 3 positions shown below.



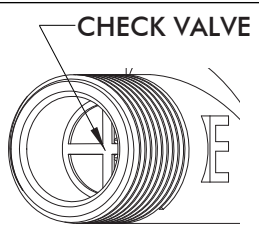
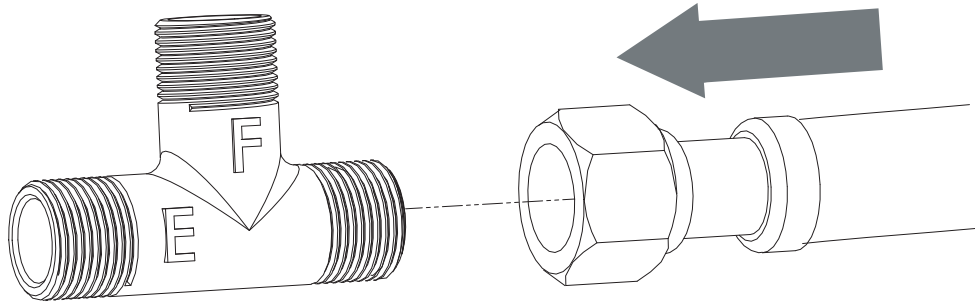
- 9 Mount the SE-370 to wall using 1/2" pipe hangers with wall plates (not included), no more than 18" below the countertop. Be sure to mount the SE-370 in a location that will not interfere with the drain assembly or wall stops. Refer to the rough in on the last page during installation.



- 10 Retrieve the two 6" long stainless steel hoses from the box. Connect one to the COLD supply valve, and the other to the HOT supply valve. Wrench tighten both connections.

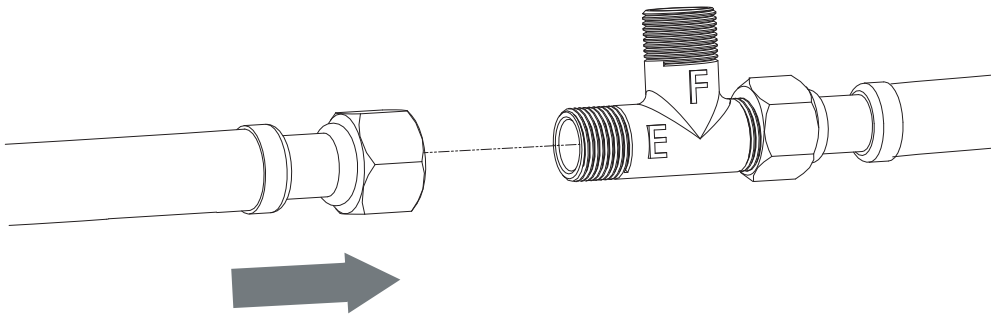


- ⑪ Locate the two tees with check valves (see inset). Connect free end of the previously installed 6" hoses to the unmarked ports of tees. Wrench tighten all connections.



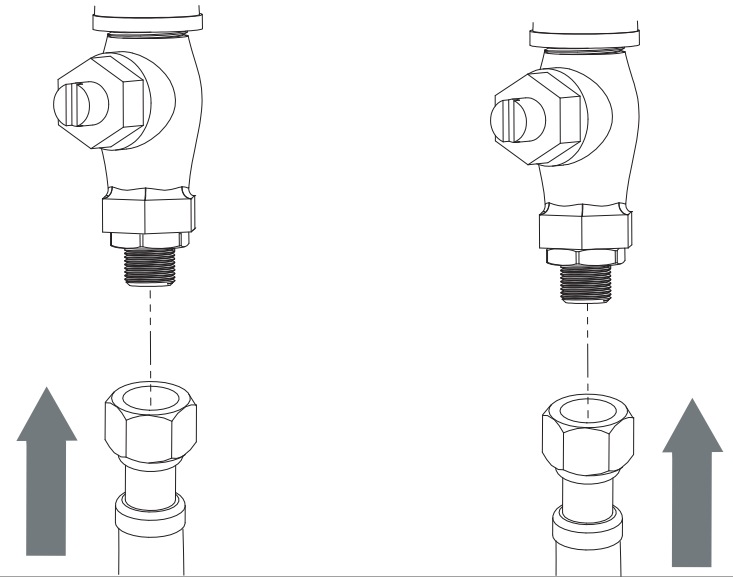
X2

- ⑫ Locate the two 3/8" stainless steel hoses. Connect one hose to the "E" port of the HOT supply tee. Connect the other hose to the "E" port of the COLD supply tee. Wrench tighten both connections.

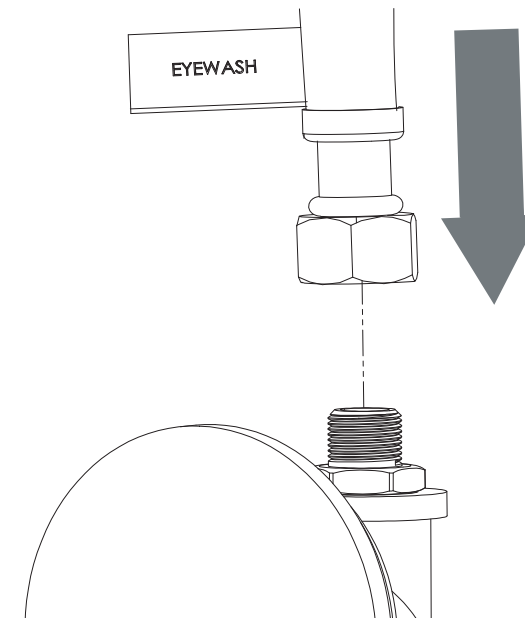


X2

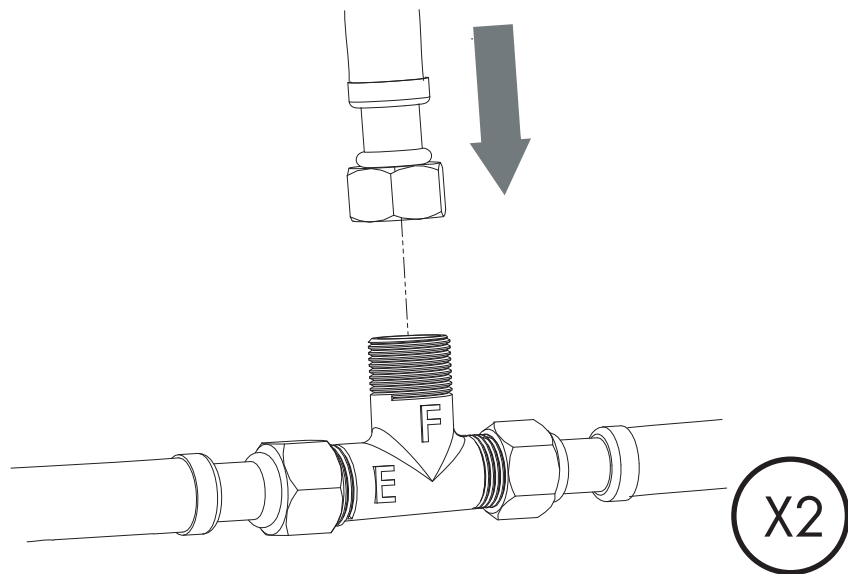
- ⑬ Connect free ends of 3/8" hoses to the corresponding HOT & COLD inlet positions of the SE-370. Wrench tighten both connections.



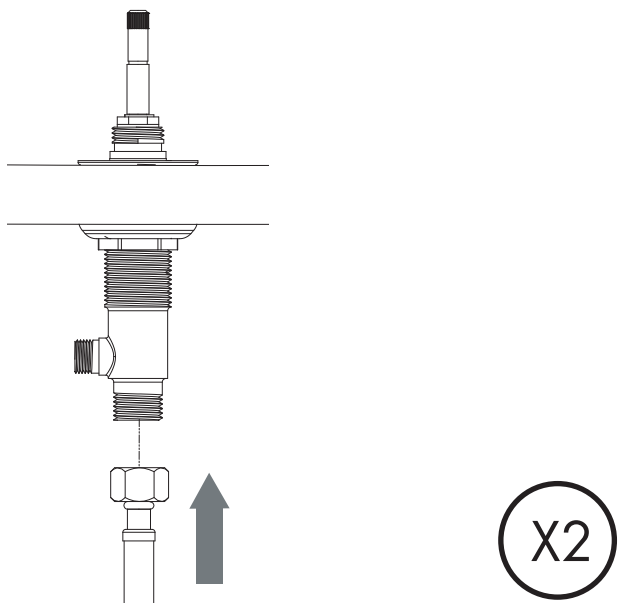
- ⑭ Connect pre-installed eyewash hose from the base of the spout body to the outlet port of the SE-370. Wrench tighten connection.



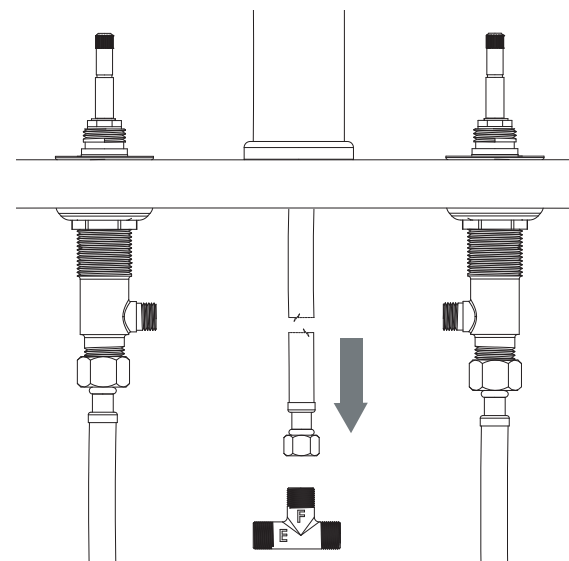
- 15 Retrieve supplied hose with a 3/8" fitting on one end, and a 1/2" fitting on the other. Connect 3/8" fitting end to the "F" port of the COLD tee with check valves. Wrench tighten. Repeat for HOT tee.



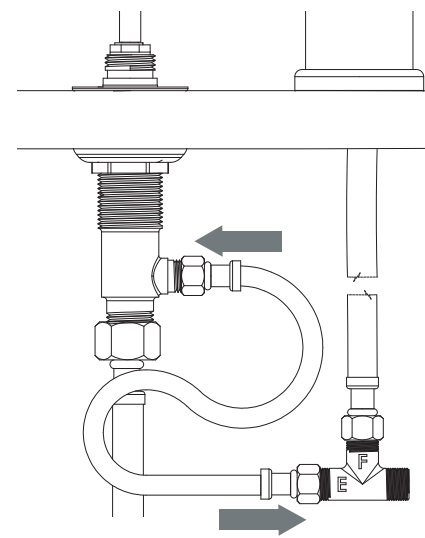
- 16 Connect the remaining end of the hose (with 1/2" fitting) to the bottom port of the COLD end body. Wrench tighten. Repeat for the HOT end body.



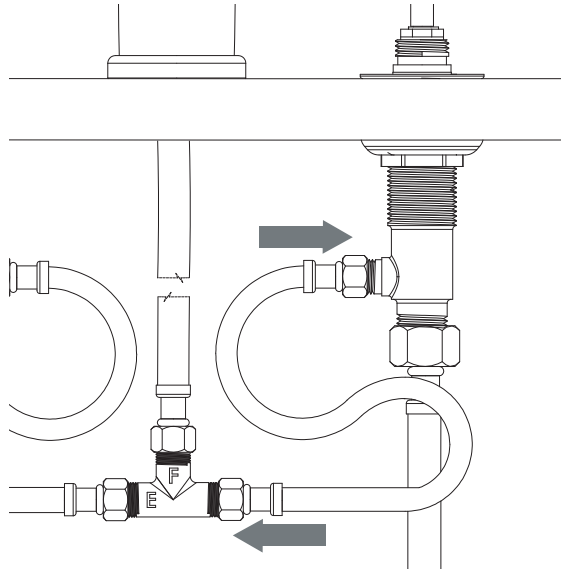
- 17 Retrieve the supply tee with no check valves. Connect the "F" port of the supply tee to the remaining hose pre-installed in the base of the SEF-1801. Wrench tighten.



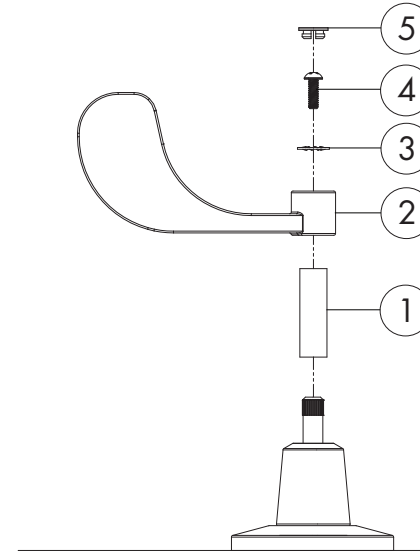
- 18 Retrieve the two (2) remaining supplied hoses. Take the first hose and connect one end to the "E" port of the supply tee with no check valves. Connect the other end to the 3/8" port of the HOT end body. Wrench tighten.



- 19 Connect one end of the remaining hose to the blank port of the supply tee with no check valves. Connect the remaining end to the 3/8" port of the COLD end body. Wrench tighten.

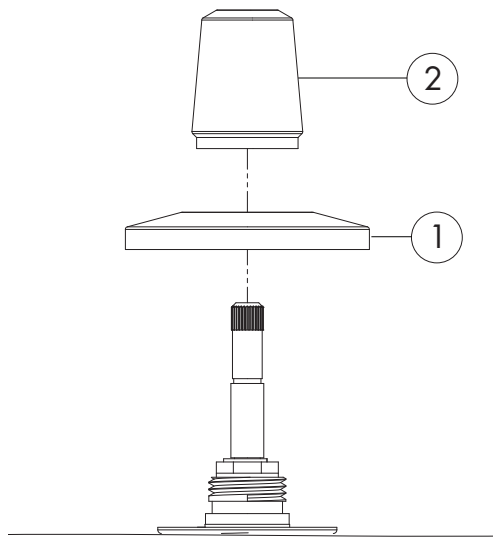


- 21 Slide trim sleeve (1) over the spindle, followed by the handle (2), lock washer (3) and screw (4). Tighten screw and install colored index (5). RED=HOT, BLUE=COLD. Repeat for other side.



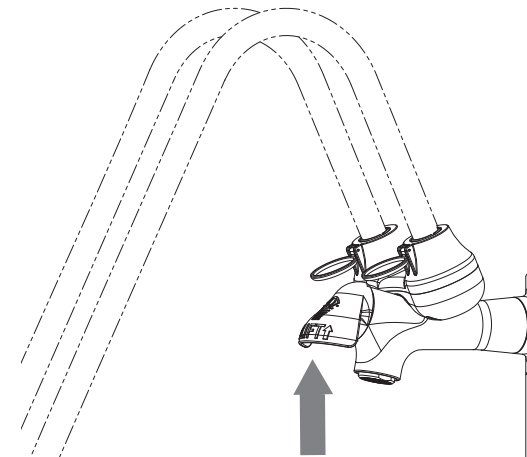
X2

- 20 The handle trim can now be installed. Place flange (1) over spindle and lower onto end body. Thread collar (2) onto end body and hand tighten. Repeat for other side.

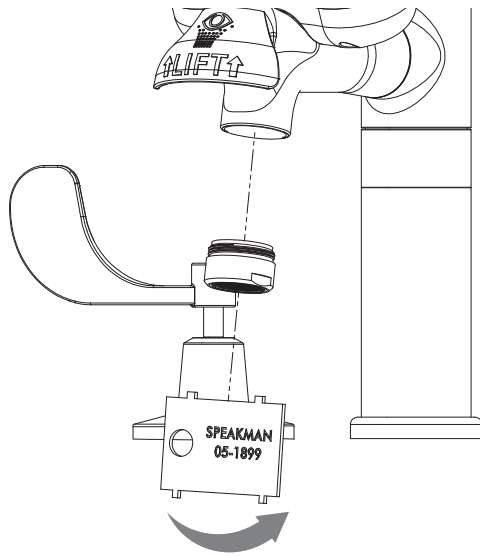


X2

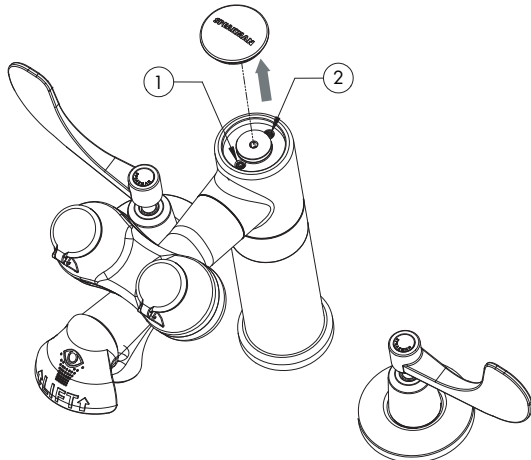
- 22 **NOTE: Before testing, you must remove tape from Eyewash Caps.** Turn on water supplies and check for leaks. Activate Eyewash by lifting activation handle and check for proper function using the chart at the the end of this document. Tepid water supply should be between 65°-95° F. Check the SE-370 manual for temperature adjustment instructions.



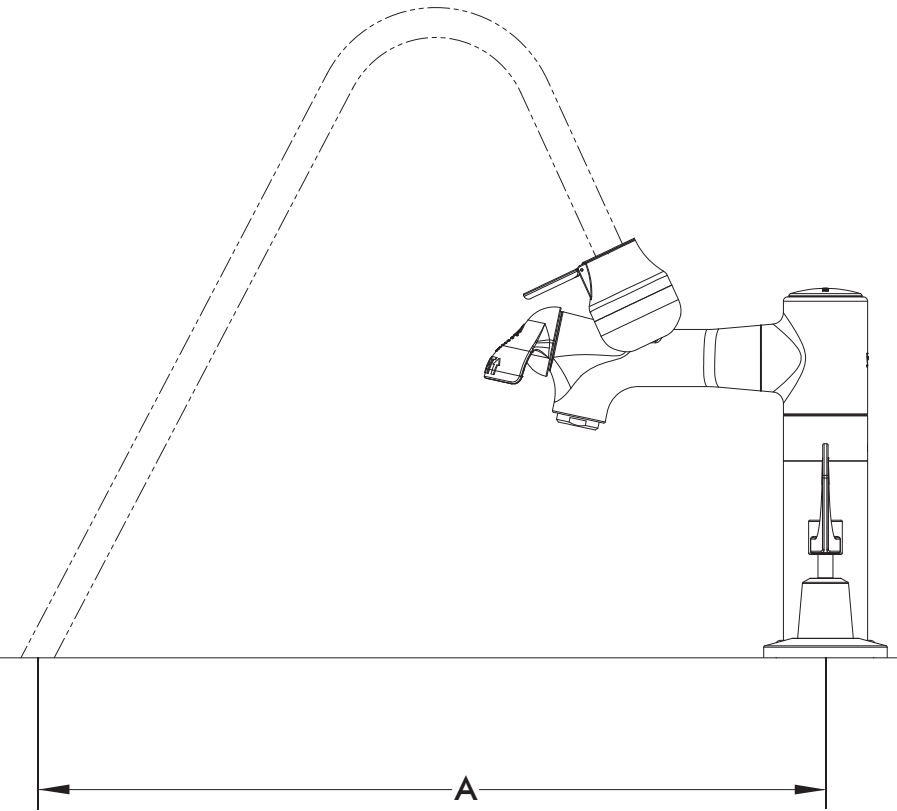
- 23 Turn on HOT and COLD handles of faucet and allow water to run for one minute to flush any debris from faucet. Turn off faucet and install aerator with supplied aerator wrench.



- 24 The spout was designed to swivel from left to right. If a non-swivel spout is preferred, remove top cover from body. Remove allen head set screw from position (1) as seen below. Center the spout between the handles and install the previously removed set screw into position (2) and tighten (DO NOT OVERTIGHTEN). Replace cap.



Eyewash Flow Data



SEF-1801

FLOWING PRESSURE		FLOW RATE		PLUME DISTANCE "A"	
psi	bar	gpm	L/min	in.	cm.
30	2.07	2.14	8.1	12	30.5
40	2.76	2.25	8.5	13	33.0
50	3.45	2.49	9.4	15	38.1
60	4.14	2.70	10.2	18	45.7
70	4.83	2.95	11.2	21	53.3
80	5.52	3.09	11.7	24	61.0

SEF-1801-8

FLOWING PRESSURE		FLOW RATE		PLUME DISTANCE "A"	
psi	bar	gpm	L/min	in.	cm.
30	2.07	2.15	8.1	17	43.2
40	2.76	2.24	8.5	18	45.7
50	3.45	2.47	9.3	20	50.8
60	4.14	2.71	10.3	23	58.4
70	4.83	2.95	11.2	27	68.6
80	5.52	3.13	11.8	29	73.7

NOTE: If plume heights are low, check to ensure that your supply valves are fully open. If there is a noticeable height difference between the two plumes, remove the aerators and flow controls and remove any debris that would inhibit the flow of water.