

Neo™ ADA Grab Bars

MODELS:

- ☐ SA-1009-24: 24 in. bar
- ☐ SA-1009-36: 36 in. bar
- ☐ SA-1009-48: 48 in. bar

FEATURES:

- Stainless Steel Construction
- Flexible mounting configuration (horizontal, vertical, diagonal)
- Includes mounting hardware

COMPLIANCE:

- Meets ADA

FINISH:



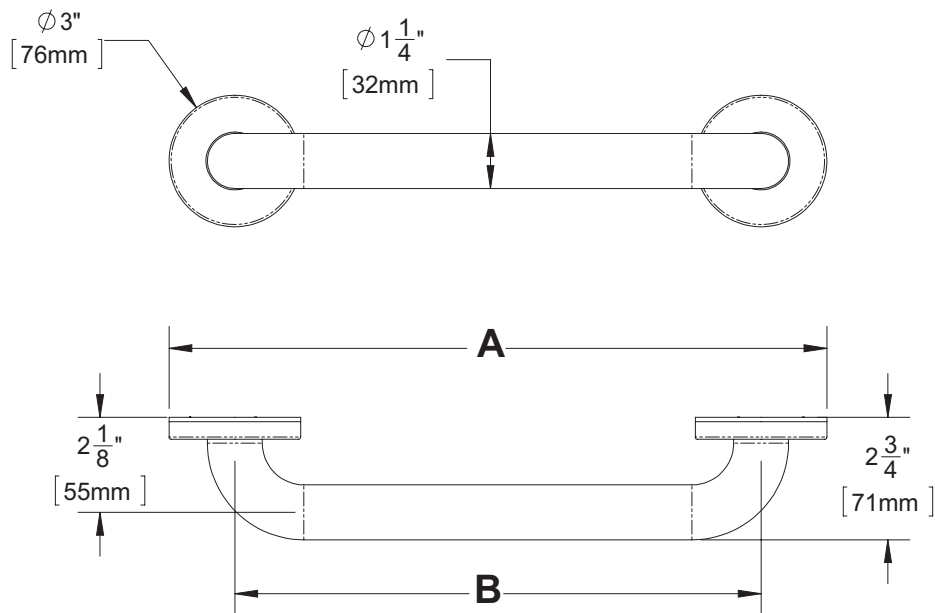
PC BN

WARRANTY:

- 1 year limited



DIMENSIONS: NOTE: 1. All dimensions are in inches (millimeters) unless otherwise specified and are subject to change without notice.



DIMENSION "A"	
SA-1009-24	27" (686mm)
SA-1009-36	39" (991mm)
SA-1009-48	51" (1295mm)
DIMENSION "B"	
SA-1009-24	24" (610mm)
SA-1009-36	36" (914mm)
SA-1009-48	48" (1219mm)

Architect/Engineer Approval Space:

SPEAKMAN
400 ANCHOR MILL ROAD
NEW CASTLE, DE 19720

P: 800-537-2107
F: 800-977-2747
W: WWW.SPEAKMAN.COM
R: NOVEMBER 2017