

SPECIFICATIONS

The UltraLatch is:

STRONG... It is made of only top quality materials and constructed in the U.S.A. The base material for the SOSS UltraLatch is available in 316 stainless steel investment cast or zinc die cast.

COMFORTABLE... The UltraLatch is designed to conform to the shape of the hand and allows clearance for your knuckles.

CONVENIENT... Because of the UltraLatch's comfortable shape, opening doors is convenient for anyone. Even if you cannot grab the UltraLatch with your hand, this revolutionary piece of door hardware can also be opened with your hip or elbow.



FEATURES:

- UltraLatch is available for standard door thicknesses of 1 3/8", 1 3/4" or 2" and metric door thicknesses of 32.5–37 mm, 42–47 mm, or 47–52 mm. Additionally, it is designed for a 2 3/8" (60 mm) or 2 3/4" (70mm) backset.
- You may purchase the Ultralatch with or without a privacy lock, or as a stationary handle, without the internal mechanism.
- Matching keyed deadbolts are also available for further security.
- Limited Lifetime Warranty: SOSS UltraLatch is warranted against defects in material or workmanship. Made in the U.S.A., patent pending.

BENEFITS:

- UltraLatch has been specifically designed to fit the 2 1/8" (54 mm) diameter hole that is standard in most doors.
- The handles fit either right or left handed doors. All necessary hardware is packed with each UltraLatch.
- Easy Open: Ergonomic shape and location create the ideal function, eliminating the need to grip or rotate. Push/pull motion is easy for any size hand to operate.
- UltraLatch can be installed as a retrofit to existing doors as well as in new installations.

SPECIFICATIONS:

- UltraLatch has been cycle tested to meet or exceed ANSI Grade I Specifications.
- Latch movement: 1/2" max—push/pull
- Each handle to have independent spring mechanism designed to control latch.
- Function: Passage / Privacy as listed in hardware sets

APPLICATIONS: Healthcare, Patient Room Doors, Assisted Living Facilities, Disabled Housing, Educational Institutions, Home or Office

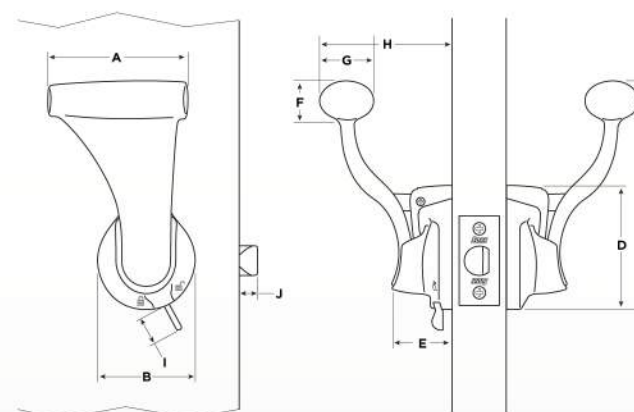
ANSI GRADE 1
The SOSS UltraLatch has been independently-tested to meet or exceed ANSI Grade 1 specifications.

FIRE-RATING
The SOSS UltraLatch has passed a Positive Pressure Fire Test and Hose Stream test for 20-minute fire-rated doors.



HANDLE SHOWN IN OIL RUBBED BRONZE

ULTRALATCH DIMENSIONS



Dimension	Inches	MM
A	3 3/16"	90.49 mm
B	4 15/32"	47.62 mm
C	5 25/32"	127 mm
D	3 1/8"	76.20 mm
E	1 1/2"	38.10 mm
F	1 1/16"	26.99 mm
G	1 3/8"	34.93 mm
H	3 3/8"	85.73 mm
I	2 3/32"	18.26 mm
J	2 9/64"	11.51 mm

Standard Door Thickness: 1 3/8", 1 3/4" or 2"
Metric Door Thickness: 32.5–37 mm, 42–47 mm or 47–52 mm
Backset: 2 3/8" (60 mm) or 2 3/4" (70 mm)

THE SOSS ULTRALATCH IS AVAILABLE IN 10 DIFFERENT FINISHES:

- | | |
|---|--|
| BHMA #704
Oil Rubbed Bronze
US10B | BHMA #677E
Bright Brass, PVD
US3 |
| BHMA #681E
Bright Nickel, PVD
US14 | BHMA #678E
Satin Brass, PVD
US4 |
| BHMA #682E
Satin Nickel, PVD
US15 | BHMA #629
Bright Stainless Steel
US32 |
| BHMA #676
Textured Black
US19 | BHMA #630
Satin Stainless Steel
US32D |
| BHMA #681
Bright Chrome
US26 | |
| BHMA #682
Satin Chrome
US26D | |

MATCHING KEYED MEDECO DEADBOLT



AVAILABLE IN THE FOLLOWING FINISHES:

- | | |
|-----------------------------------|------------------------------|
| Oil Rubbed Bronze
US10B | Bright Chrome
US26 |
| Bright Nickel
US14 | Satin Chrome
US26D |
| Satin Nickel
US15 | Bright Brass
US3 |
| Black
US19 | Satin Brass
US4 |