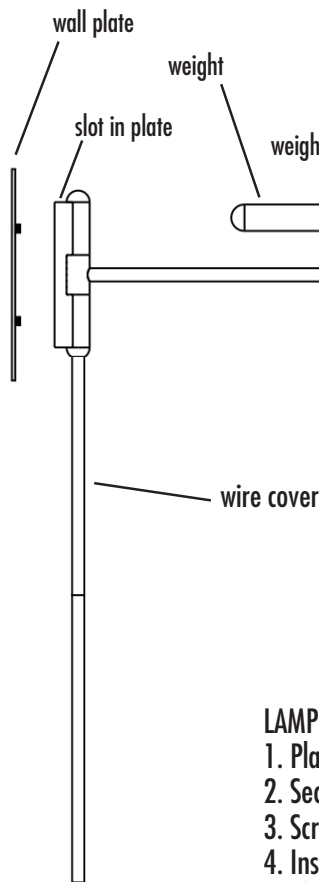
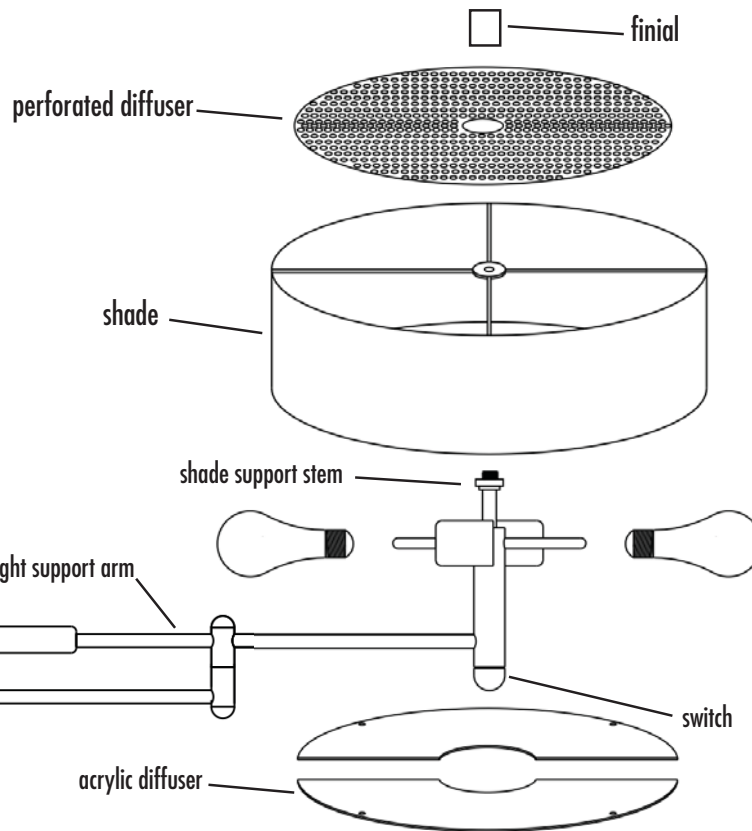
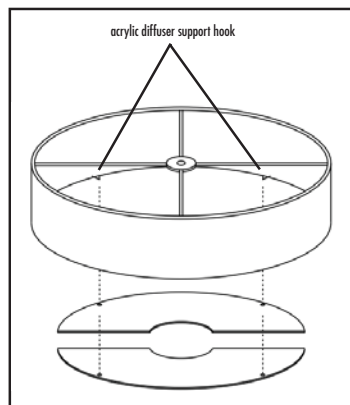


**Important: Always unplug the power cord before installing or replacing bulb and before cleaning or other maintenance.**



### LAMP ASSEMBLY

1. Place wall plate on wall and secure with four screws.
2. Secure lamp on wall by slot key hole bar into pins located on wall plate.
3. Screw Weight into Weight Support Arm.
4. Install A19 bulbs (not included).
5. Place Shade onto Shade Support Stem.
6. Place Perforated diffuser on shade and secure it with finial.
7. Place two pieces of Acrylic Diffusers on Acrylic Diffuser support hooks from the bottom of shade.
8. Plug in power cord. ON-OFF switch is located below the shade.