

QB

7522

Large Sconce

Product Information and Warnings

IMPORTANT

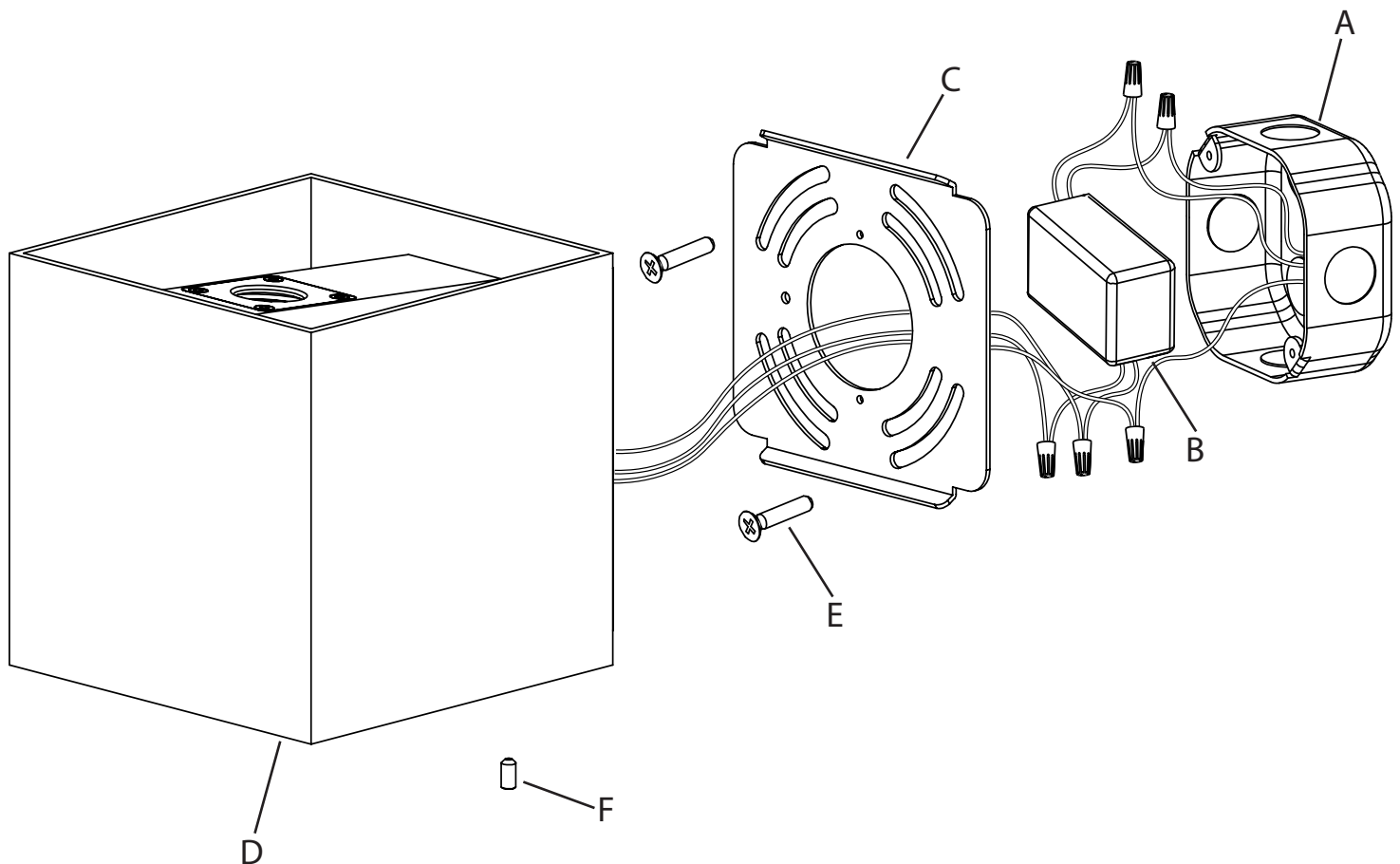
- **Always disconnect the power before installing or replacing Luminaires and before cleaning or other maintenance.**
- **Consult a qualified, licensed electrician to ensure correct branch circuit conductor.**
- ***Consulter un électricien qualifié pour vous assurer que les conducteurs de la dérivation sont adéquats.***
- Please read all included assembly instructions and warnings carefully before installation. Contact Customer Service if you have any questions or concerns. Before installation, please confirm that the fixture is compatible with your supply voltage and dimming system, if present.
- LEDs are highly sensitive electronic devices, and must be treated with care. Do not open any factory sealed compartments, and avoid touching the LEDs with your hands or any object.
- Although all our fixtures are equipped with protective devices, LED electronic systems are vulnerable to power surges and supply variations. Do not install LED fixtures on the same circuit as any motors, appliances, or HVAC systems.
- Do not remove or bypass any LED Driver or Transformer that is provided with the fixture, and do not replace or substitute with another power supply.
- Fixtures must be wired in parallel on independent leads; do not "daisy chain" multiple fixtures together or wire them in series.
- All factory-made splices and connections must remain intact. LED circuits are carefully designed and built, and improper connections may damage the fixture.
- Any mounting hardware is provided for your convenience and should be used with discretion. Always use the appropriate hardware for the mounting surface.

Assembly Instructions

Instructions D'Installation

SONNEMAN[®]
A WAY OF LIGHT

1. Shut off power to the outlet box (A) or branch circuit.
2. Make appropriate connections using wire nuts:
 - a. Connect the LED driver's (B) live wire to the live outlet box wire.
 - b. Connect the LED driver's neutral wire to the neutral outlet box wire.
 - c. Connect the fixture's ground wire (green or uncoated) to the ground supply wire. If no ground wire is present in the outlet box, connect ground wire to the mounting plate (C) using the green screw (included).
 - d. Carefully place all connections in outlet box.
3. Attach the mounting plate (C) to outlet box (A), secure with outlet box screws (E).
For Wet Location Use: Fixture must be installed in the orientation shown and mounted minimum 4' above the ground.
4. Place fixture (D) over the mounting plate (C) and secure into place using set screws (F).
For Wet Location use: Place a small bead of silicone or waterproof caulk (not included) around the perimeter of the fixture (D) where it comes into contact with the wall.
5. Restore power to the outlet box (A).



Note:

This fixture is dimmable with Electronic Low Voltage (Trailing-Edge), Incandescent (Leading-Edge), and 0-10V type dimmers only.

Multiple U.S. and foreign patents pending.

Care Instructions:

Use a clean, dry cloth when dusting.
To protect the finish, avoid any harsh abrasives or chemicals.