

QB

7520

Small Sconce

Product Information and Warnings

IMPORTANT

- **Always disconnect the power before installing or replacing Luminaires and before cleaning or other maintenance.**
 - **Consult a qualified, licensed electrician to ensure correct branch circuit conductor.**
 - ***Consulter un électricien qualifié pour vous assurer que les conducteurs de la dérivation sont adéquats.***
-
- Please read all included assembly instructions and warnings carefully before installation. Contact Customer Service if you have any questions or concerns. Before installation, please confirm that the fixture is compatible with your supply voltage and dimming system, if present.
 - LEDs are highly sensitive electronic devices, and must be treated with care. Do not open any factory sealed compartments, and avoid touching the LEDs with your hands or any object.
 - Although all our fixtures are equipped with protective devices, LED electronic systems are vulnerable to power surges and supply variations. Do not install LED fixtures on the same circuit as any motors, appliances, or HVAC systems.
 - Do not remove or bypass any LED Driver or Transformer that is provided with the fixture, and do not replace or substitute with another power supply.
 - Fixtures must be wired in parallel on independent leads; do not "daisy chain" multiple fixtures together or wire them in series.
 - All factory-made splices and connections must remain intact. LED circuits are carefully designed and built, and improper connections may damage the fixture.
 - Any mounting hardware is provided for your convenience and should be used with discretion. Always use the appropriate hardware for the mounting surface.

Note: Fixture is for Remote Driver Installation only

1. Shut off power to the branch circuit.
2. The LED driver (A) must be installed in a remote and accessible location near the fixture in accordance with local electrical code.
 - a. Connect the LED driver's live wire (black) to the live supply wire.
 - b. Connect the LED driver's neutral wire (white) to the neutral supply wire.
 - c. Connect the LED driver's positive (+) output wire to the necessary length of red wire (not included) to reach the fixture (B) location.
 - d. Connect the LED driver's negative (-) output wire to the necessary length of black wire (not included) to reach the fixture location.
 - e. Drill a small 3/4" hole (C) in the wall behind the fixture (B) and pull the low voltage wires through the wall.
3. Attach the mounting plate (D) to the wall using mounting screws (F) and anchors (E).

For Wet Location Use: Fixture must be installed in the orientation shown and mounted minimum 4' above the ground.
4. Connect fixture red conductor to the LED driver positive (+) output wire and connect the fixture black conductor to the driver negative (-) output wire. Push connections back through the hole in the wall.
5. Place fixture over the mounting plate (D) and secure into place using set screws (G).

For Wet Location use: Place a small bead of silicone or waterproof caulk (not included) around the perimeter of the fixture (B) where it comes into contact with the wall.
6. Restore power to the fixture.

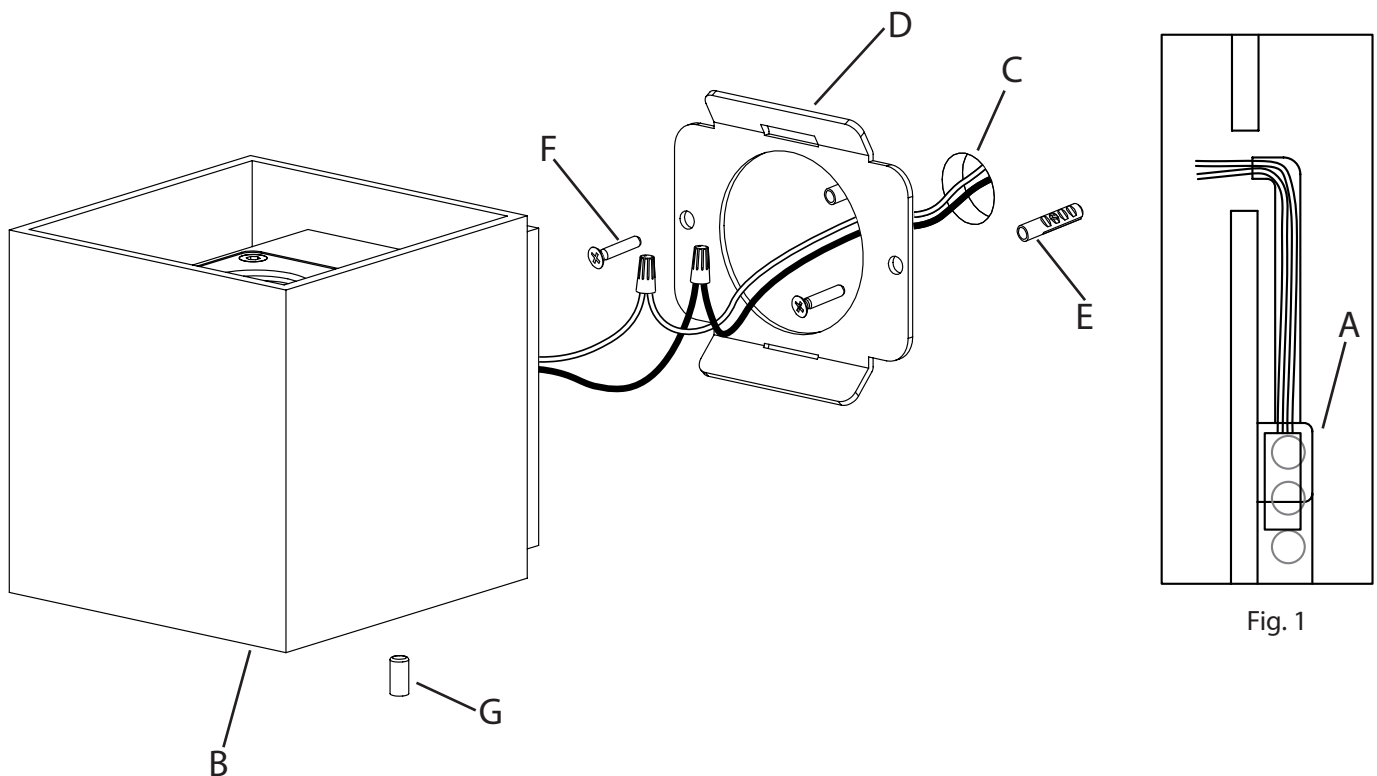


Fig. 1

Note:

This fixture is dimmable with Electronic Low Voltage (Trailing-Edge), Incandescent (Leading-Edge), and 0-10V type dimmers only.

Multiple U.S. and foreign patents pending.

Care Instructions:

Use a clean, dry cloth when dusting.
To protect the finish, avoid any harsh abrasives or chemicals.