

## Turo

### 3440, 3441, 3442

Short Sconce,  
Medium Sconce,  
Long Sconce

## Product Information and Warnings

### IMPORTANT

- **Always disconnect the power before installing or replacing Luminaires and before cleaning or other maintenance.**
- **Consult a qualified, licensed electrician to ensure correct branch circuit conductor.**
- ***Consulter un électricien qualifié pour vous assurer que les conducteurs de la dérivation sont adéquats.***
- Please read all included assembly instructions and warnings carefully before installation. Contact Customer Service if you have any questions or concerns. Before installation, please confirm that the fixture is compatible with your supply voltage and dimming system, if present.
- LEDs are highly sensitive electronic devices, and must be treated with care. Do not open any factory sealed compartments, and avoid touching the LEDs with your hands or any object.
- Although all our fixtures are equipped with protective devices, LED electronic systems are vulnerable to power surges and supply variations. Do not install LED fixtures on the same circuit as any motors, appliances, or HVAC systems.
- Do not remove or bypass any LED Driver or Transformer that is provided with the fixture, and do not replace or substitute with another power supply.
- Fixtures must be wired in parallel on independent leads; do not "daisy chain" multiple fixtures together or wire them in series.
- All factory-made splices and connections must remain intact. LED circuits are carefully designed and built, and improper connections may damage the fixture.
- The ends of coaxial pendant cords have been precisely stripped and split at the factory and must not be field cut. Excess cord or cable should be neatly coiled and reserved in the fixture canopy.
- Any mounting hardware is provided for your convenience and should be used with discretion. Always use the appropriate hardware for the mounting surface.

## Mounting without a canopy using a remote driver

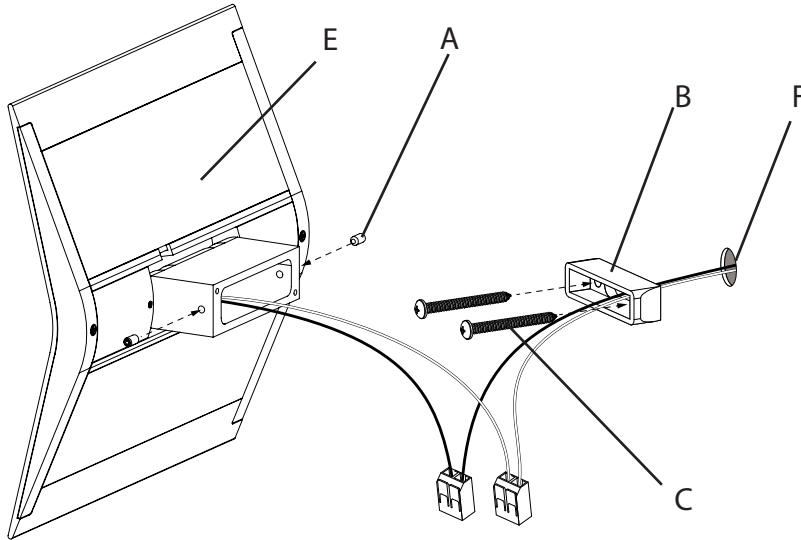


Fig. 1

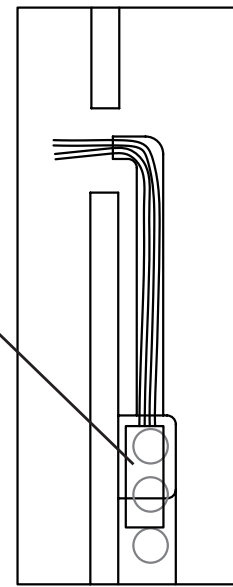


Fig. 2

1. Shut off power to the branch circuit.
2. The power supply (D) must be installed in a remote and accessible location near the fixture (E) in accordance with local electrical code (Fig. 2). Make appropriate connections:
  - a. Connect the power supply's live wire to the live supply wire.
  - b. Connect the power supply's neutral wire to the neutral supply wire.
  - c. Connect the power supply's positive (+) output wire to the necessary length of red wire (not included) to reach the fixture location.
  - d. Connect the power supply's negative (-) output wire to the necessary length of black wire (not included) to reach the fixture location.
3. Loosen set screws (A) and remove the fixture mounting block (B).
4. Mount the fixture mounting block (B) to the wall using drywall screws and anchors (not included), or other hardware as appropriate. The center of the mounting block is the center of your fixture location, and where the low voltage wires will come through.
5. Drill a small hole (F) at this fixture location. and pull the fixture's power leads through the center hole of the mounting block.
6. Using the included connectors, connect the fixture's positive (+) conductor to the positive (red) low voltage wire and connect the fixture's negative (-) conductor to the negative (black) low voltage wire. Carefully store the connectors in the mounting block.
7. Fit the fixture (E) over the mounting block, then tighten the set screw (A) with included Allen key to secure the fixture in place.
8. Restore power to the branch circuit.

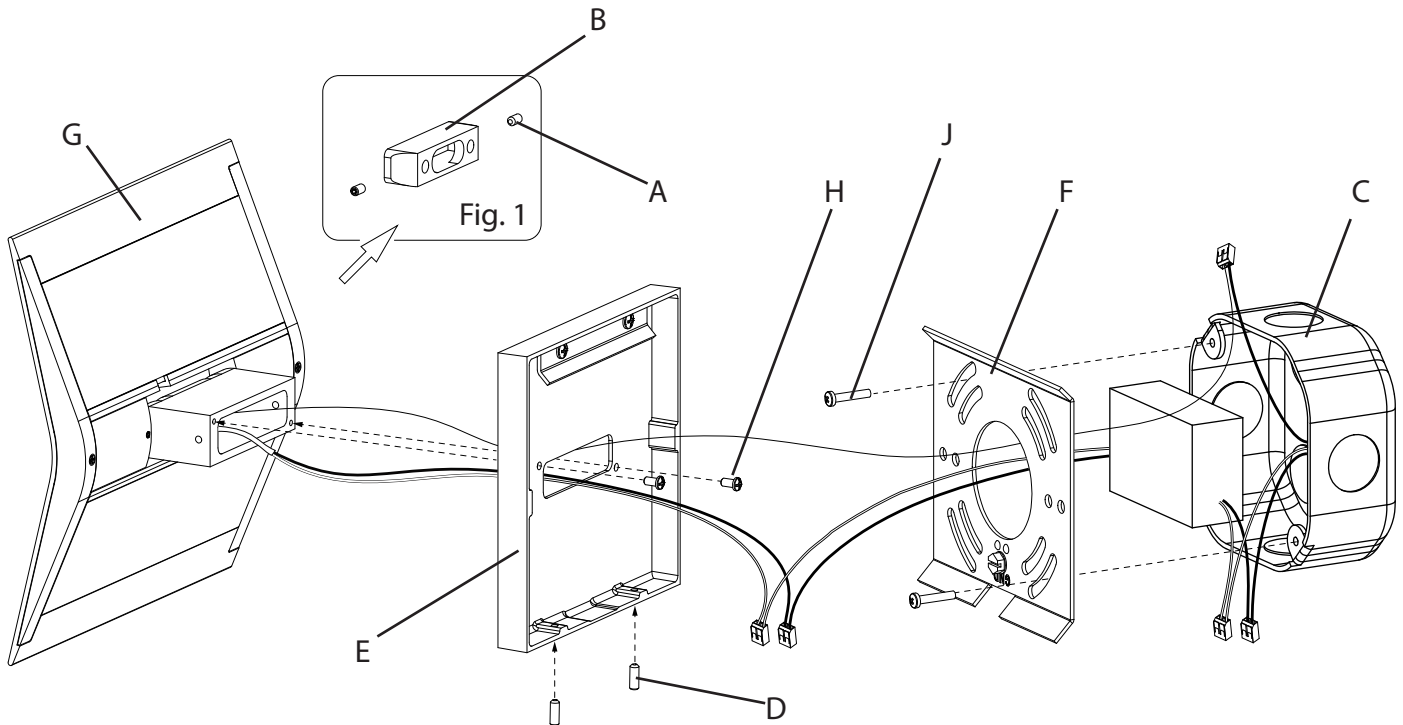
**Note:**

**This fixture is dimmable with ELV (Trailing-Edge), Incandescent (Leading-Edge), and 0-10V type dimmers only.**

Care Instructions:

Use a clean, dry cloth when dusting. To protect the finish, avoid any harsh abrasives or chemicals.

## Mounting with canopy over an outlet box



1. Shut off power to the outlet box (C).
2. To mount with the canopy (not included), remove the set screws (A) and fixture mounting block (B).
3. Loosen the canopy set screws (D) with included Allen key and remove the mounting plate (F) from the canopy assembly (E).
4. Assemble the Luminaire (G) and the canopy assembly (E) together with the provided screws (H).
5. Make appropriate electrical connections using wire nuts:
  - a. Connect the power supply's live wire to the live supply wire.
  - b. Connect the power supply's neutral wire to the neutral supply wire.
  - c. Connect the fixture's ground wire (green or uncoated) to the ground supply wire. If no ground wire is present in the outlet box, connect ground wire to the mounting plate (F) using the green screw (included).
  - d. Carefully place power supply and electrical connections in outlet box (C).
6. Attach the mounting plate (F) to the outlet box (C) using the provided outlet box screws (J). Pay attention to the mounting plate direction, the 2 tabs should be facing down.
7. Install the fixture to the mounting plate (F) by hooking the bar in the fixture onto the upper bend on the mounting plate. Secure with set screws (D) using included Allen key.
8. Restore power to the outlet box (A).

**Note:**

**This fixture is dimmable with ELV (Trailing-Edge), Incandescent (Leading-Edge), and 0-10V type dimmers only.**

Care Instructions:

Use a clean, dry cloth when dusting. To protect the finish, avoid any harsh abrasives or chemicals.