

## Pitch

### **3250, 3252**

Wall Lamp, Long Wall Lamp

#### IMPORTANT

- **Always disconnect the power before installing, cleaning, or other maintenance.**

## Product Information and Warnings

- Please read all included assembly instructions and warnings carefully before installation. Contact Customer Service if you have any questions or concerns. Before installation, please confirm that the fixture is compatible with your supply voltage and dimming system, if present.
- LEDs are highly sensitive electronic devices, and must be treated with care. Do not open any factory sealed compartments, and avoid touching the LEDs with your hands or any object.
- Although all our fixtures are equipped with protective devices, LED electronic systems are vulnerable to power surges and supply variations. Do not install LED fixtures on the same circuit as any motors, appliances, or HVAC systems.
- Do not remove or bypass any LED Driver or Transformer that is provided with the fixture, and do not replace or substitute with another power supply.
- Fixtures must be wired in parallel on independent leads; do not "daisy chain" multiple fixtures together or wire them in series.
- All factory-made splices and connections must remain intact. LED circuits are carefully designed and built, and improper connections may damage the fixture.
- The ends of coaxial pendant cords have been precisely stripped and split at the factory and must not be field cut. Excess cord or cable should be neatly coiled and reserved in the fixture canopy.
- Any mounting hardware is provided for your convenience and should be used with discretion. Always use the appropriate hardware for the mounting surface.

# Assembly Instructions

## Instructions D'Installation

1. Drill holes in wall, using backplate (A) as a template, and install anchors (B)..
2. Install backplate (A) to wall using provided screws (C)..
3. Install fixture (D) to backplate (A) and secure using provided set screws (E).
4. Connect power supply plug adapter (F) to lamp cord (G) (Fig. 1). Insert power supply plug into wall outlet.
5. Use the stem (H) inside the lamp shade to turn the lamp on and off. Rotate the stem to adjust brightness (Fig. 2).

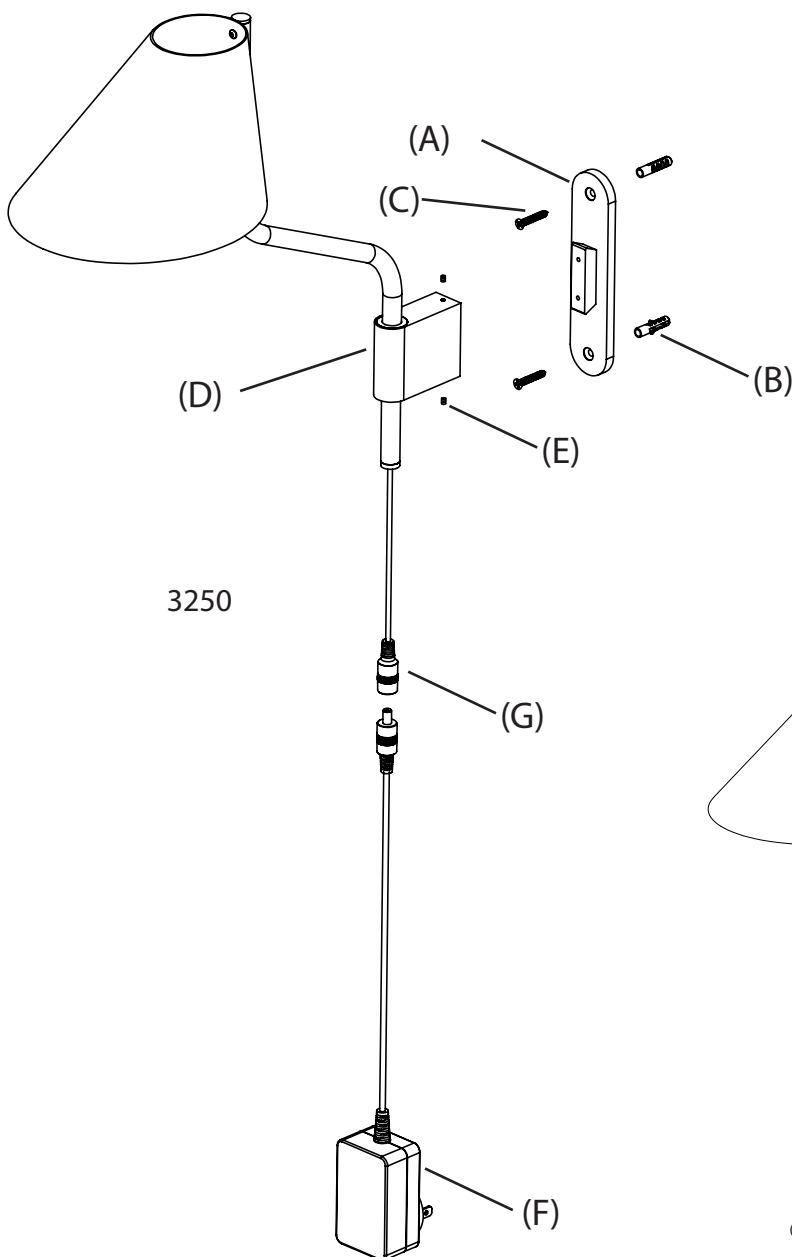


Fig. 1

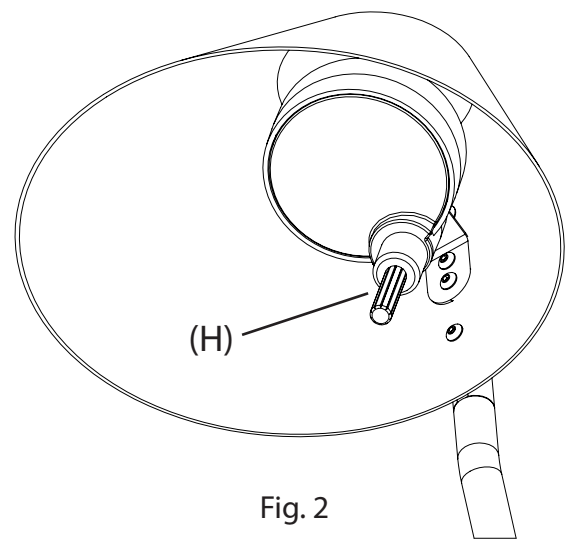
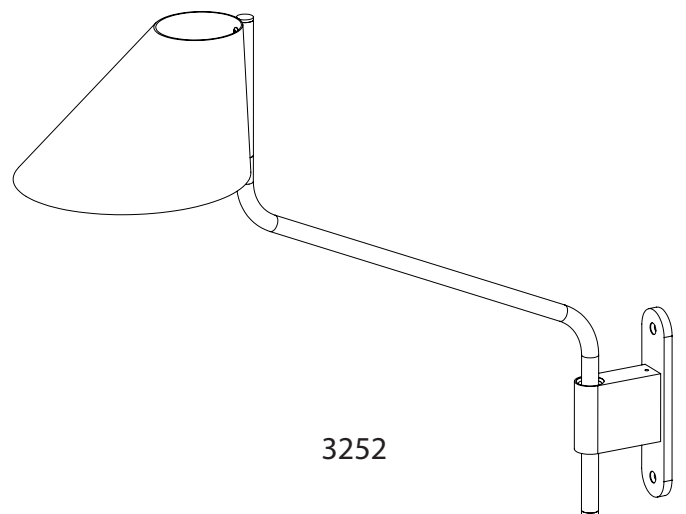


Fig. 2



3252

Care Instructions:  
Use a clean, dry cloth when dusting.  
To protect the finish, avoid any harsh abrasives or chemicals.