

LED Product Information and Warnings

Important

- **Always disconnect the power before installing or replacing bulbs and before cleaning or other maintenance.**
- **Consult a qualified, licensed electrician to ensure correct branch circuit conductor.**
- Please read all included assembly instructions and warnings carefully before installation. Contact Customer Service if you have any questions or concerns. Before installation, please confirm that the fixture is compatible with your supply voltage and dimming system, if present.
- LEDs are highly sensitive electronic devices, and must be treated with care. Do not open any factory sealed compartments, and avoid touching the LEDs with your hands or any object.
- Although all our fixtures are equipped with protective devices, LED fixtures are vulnerable to power surges and supply variations. Do not install LED fixtures on the same circuit as any motors, appliances, or HVAC systems.
- Do not remove or bypass any LED Driver or Transformer that is provided with the fixture, and do not replace or substitute with another power supply.
- Remote LED Driver or Transformer installation must be done by a licensed electrician and in accordance with local codes. Remote installations should be in an accessible location, as close to the fixture as possible.
- Fixtures must be wired in parallel on independent leads; do not "daisy chain" multiple fixtures together or wire them in series.
- All factory-made splices and connections must remain intact. LED circuits are carefully designed and built, and improper connections may damage the fixture.
- The ends of coaxial pendant cords have been precisely stripped and split at the factory and must not be field cut. Excess cord or cable should be neatly coiled and reserved in the fixture canopy.
- Any mounting hardware is provided for your convenience and should be used with discretion. Always use the appropriate hardware for the mounting surface.

September 25, 2018

Assembly Instructions

3003-AST, 3003-SML, 3003-MED, 3003-LRG

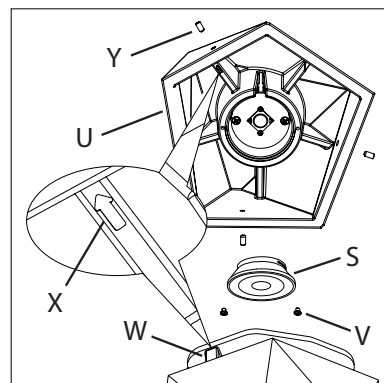
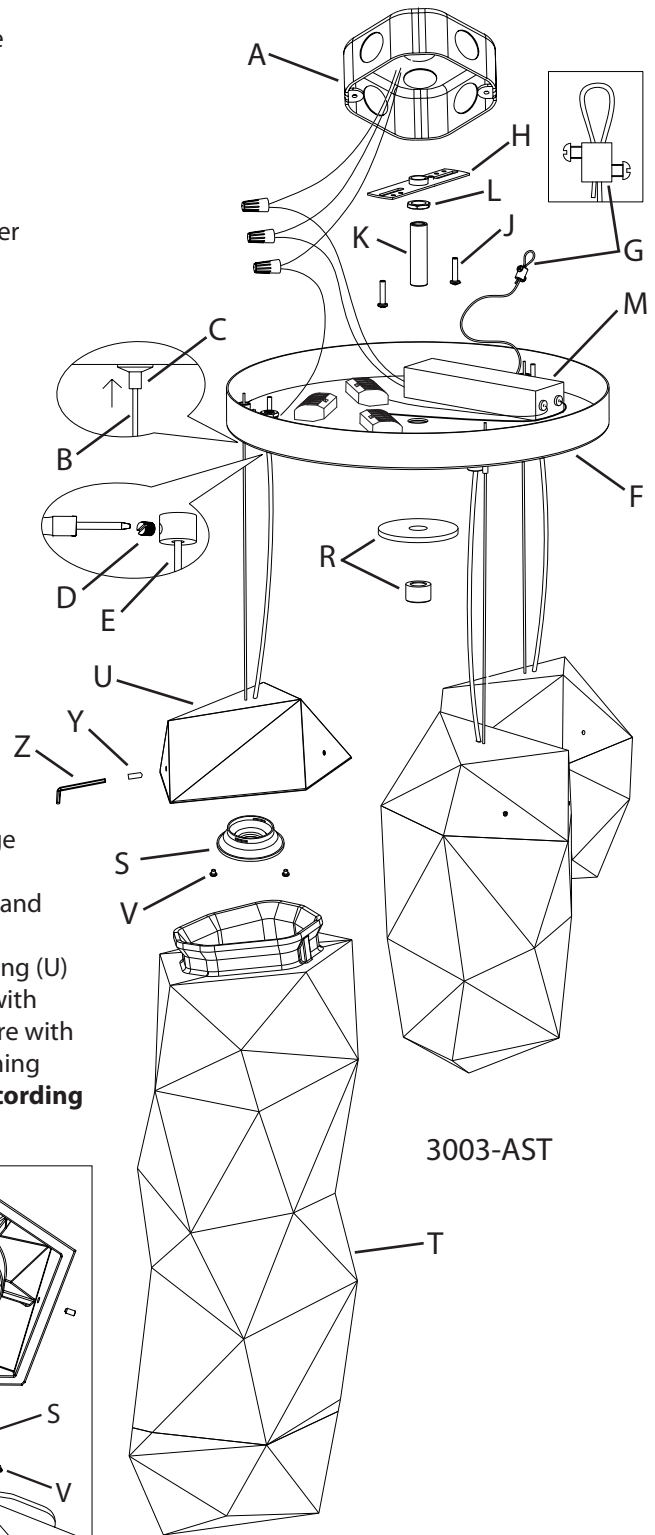
INSTRUCTIONS D'INSTALLATION

Facets Series - 3-Light Round Assorted Pendant, 3-Light Round Small Pendant, 3-Light Round Medium Pendant, 3-Light Round Large Pendant

Important

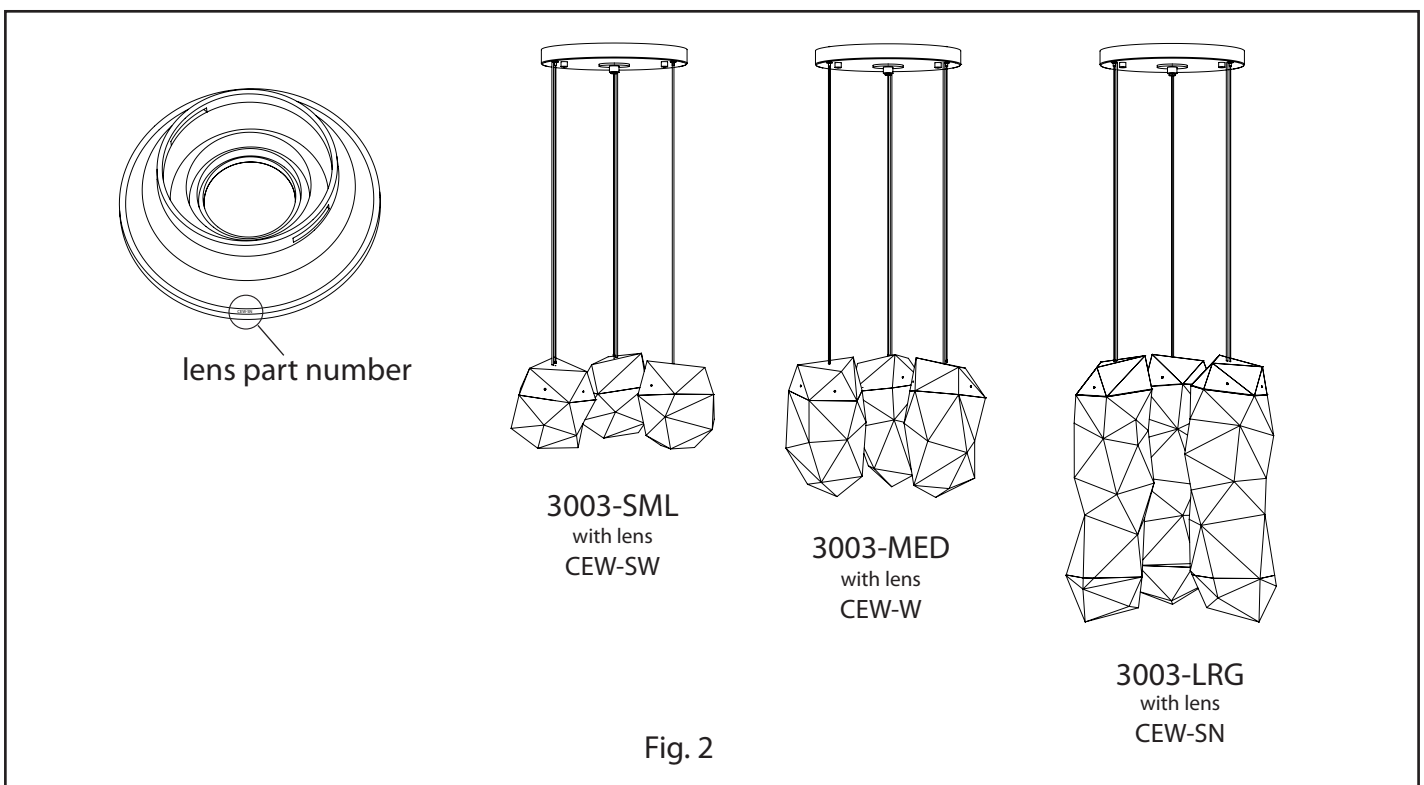
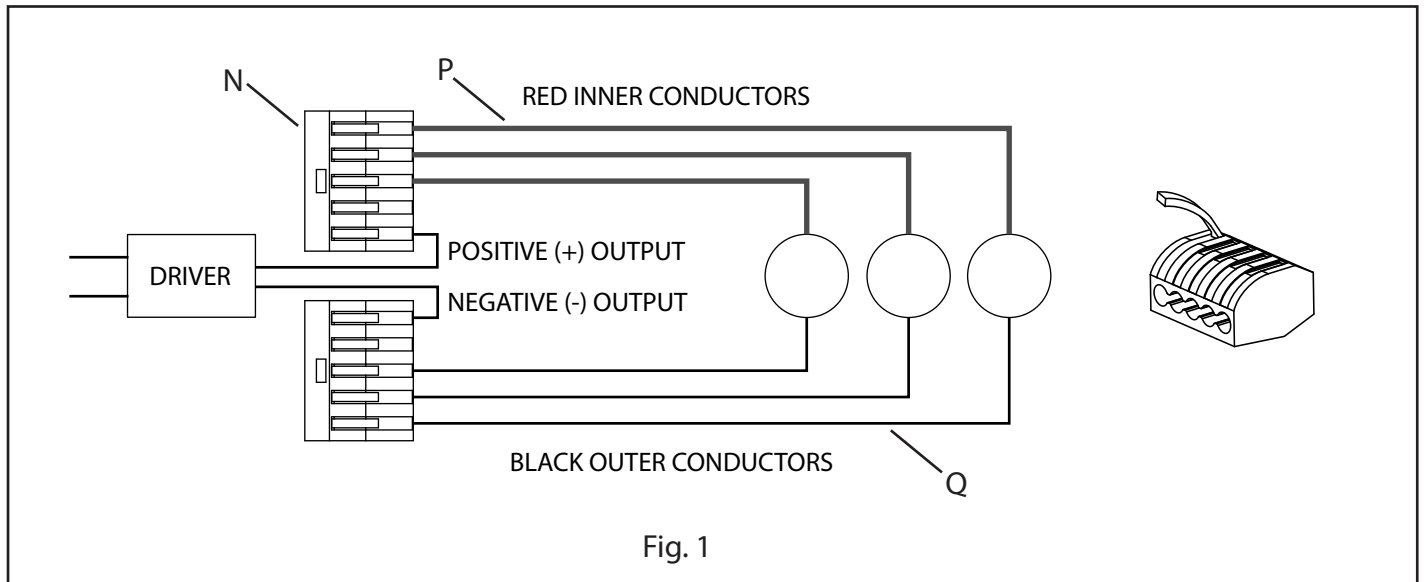
- Always disconnect the power before installing or replacing bulbs and before cleaning or other maintenance.
- Consult a qualified, licensed electrician to ensure correct branch circuit conductor.
- *Consulter un électricien qualifié pour vous assurer que les conducteurs de la dérivation sont adéquats.*

1. Shut off power to the outlet box (A).
2. Determine heights at which each pendant is to be hung. Adjust the steel cable (B) to the desired height. To shorten the cable, push the cable up and it will be locked automatically. To lengthen the cable, lift up on the cable and push up on the plunger lock (C). While keeping the plunger lock depressed, lower the cable to the desired length. Release the plunger lock to set.
3. Use the screwdriver to loosen the slotted set screw (D). Adjust power cord (E) to remove slack. Tighten the set screw to set. Reserve extra cord in the canopy (F).
4. Loosen the screws on the safety cable coupling (G) and undo the loop. Pass the safety cable through a hole on the cross bar (H) and insert the end back through the coupling to form a loop. Tighten the coupling screws to secure the safety cable.
5. Attach the cross bar (H) to the outlet box (A), secure with outlet box screws (J). Screw the threaded nipple (K) through the nut (L) and then into the cross bar (H).
6. Make appropriate electrical connections using wire nuts:
 - a. Connect the LED driver's (M) live wire (black) to the live outlet box wire.
 - b. Connect the LED driver's neutral wire (white) to the neutral outlet box wire.
 - c. Connect the canopy's ground wire (green or uncoated) to the ground outlet box wire. If no ground is present in outlet box, connect canopy's ground wire to the cross bar (H) using the green screw (included).
 - d. Follow wiring diagram and instructions in Fig. 1 on following page to wire individual pendants to the driver.
7. Install canopy (F) onto the threaded nipple (K), secure with washer and finial (R).
8. Install the lens (S) included with the glass (T) into the desired housing (U) and secure with two small screws (V). Then, align rib (W) on glass with arrow (X) inside housing (U) and insert glass into the housing. Secure with three set screws (Y) using provided Allen key (Z). Repeat for remaining housings. **Caution: Each glass must use the correct lens part, according to Fig. 2.**
9. Restore power to the outlet box (A).



CONTINUED FROM STEP 6 ON PREVIOUS PAGE:

Connect the fixture wires to the lever nuts (N) by pulling up on the lever for an empty slot, inserting the wire, and pushing the lever back down to lock. The red inner conductor (P) and black outer conductor (Q) on each cord (E) must be connected to separate lever nuts, as shown (Fig. 1).



Note

- This fixture is dimmable with Electronic Low Voltage (Trailing-Edge) type dimmers and Incandescent (Leading-Edge) type dimmers. For best performance, we recommend using an Electronic Low Voltage Dimmer.

Care Instructions

- **Dusting:** Use a clean, dry cloth.
- **Cleaning:** To protect the finish, avoid any harsh abrasives or chemicals.